

[54] PORTABLE SEWING MACHINE

[75] Inventor: Marcel Fresard, Petit-Lancy, Geneva, Switzerland

[73] Assignee: Mefina S.A., Fribourg, Switzerland

[\*\*] Term: 14 Years

[21] Appl. No.: 696,862

[22] Filed: Jun. 16, 1976

[30] Foreign Application Priority Data

Dec. 23, 1975 Switzerland ..... 108160/75

[51] Int. Cl. .... D15-06

[52] U.S. Cl. .... D15/70

[58] Field of Search ..... D15/66, 68-76, D15/78

[56] References Cited

U.S. PATENT DOCUMENTS

- D. 206,034 10/1966 Reichenstein ..... D15/69
- D. 210,256 2/1968 Fresard ..... D15/70
- D. 243,686 3/1977 Ito ..... D15/68

Primary Examiner—Joel Stearman

Assistant Examiner—J. Corrigan

Attorney, Agent, or Firm—Emory L. Groff

[57] CLAIM

The ornamental design for a portable sewing machine, substantially as shown and described.

DESCRIPTION

FIG. 1 is a front elevational view of a portable sewing machine showing my new design with its handle lowered;

FIG. 2 is a rear elevational view thereof;

FIG. 3 is a left side elevational view thereof;

FIG. 4 is a right side elevational view thereof;

FIG. 5 is a top plan view thereof;

FIG. 6 is a bottom plan view thereof;

FIG. 7 is a front, top and left side perspective view thereof;

FIG. 8 is a front, top and right side perspective view thereof;

FIG. 9 is a rear, top and left side perspective view thereof;

FIG. 10 is a rear, top and right side perspective view thereof;

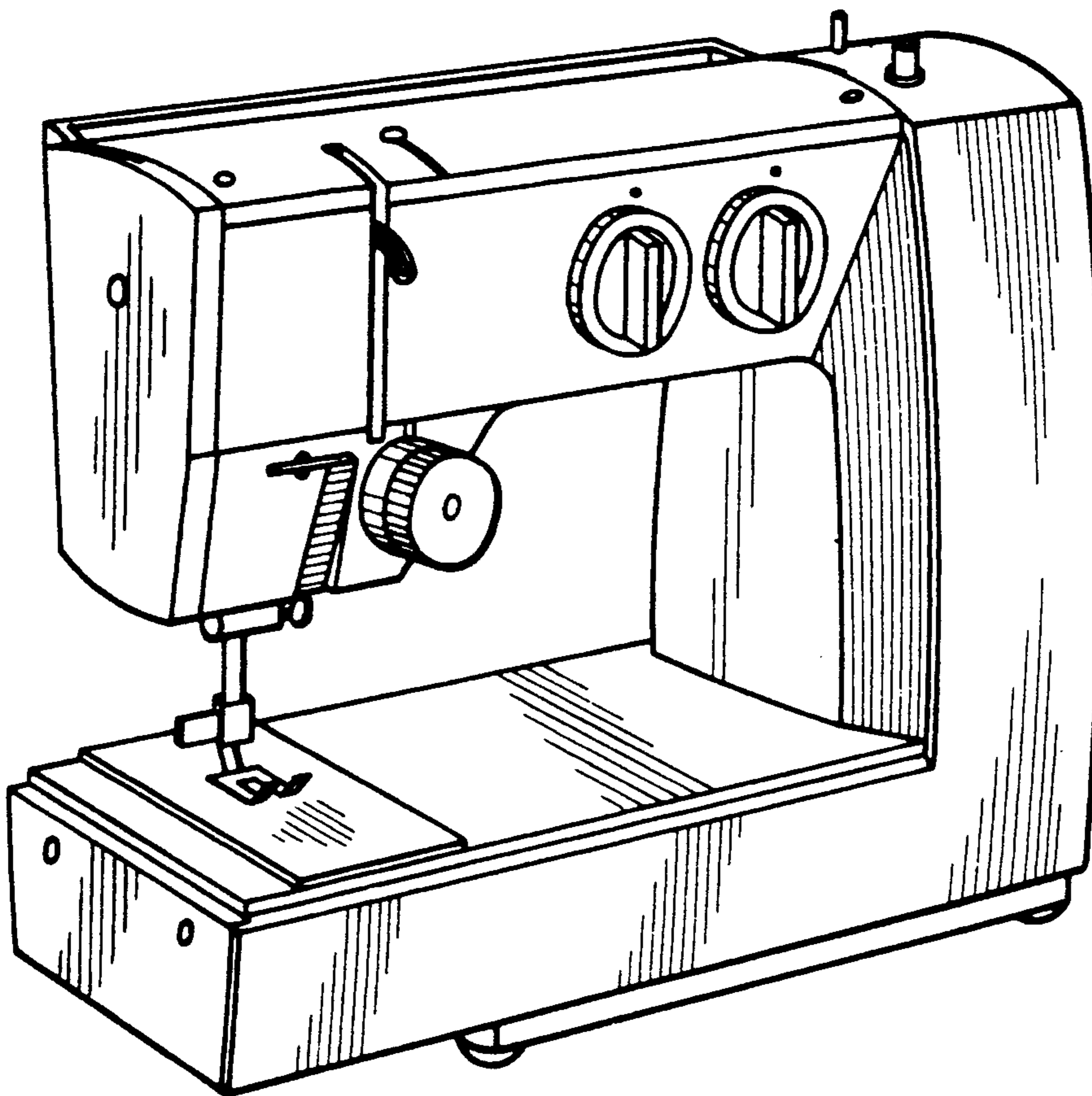
FIG. 11 is a front elevational view of the machine with the handle in raised position;

FIG. 12 is a rear elevational view thereof;

FIG. 13 is a left side elevational view thereof;

FIG. 14 is a right side elevational view thereof; and

FIG. 15 is a top plan view thereof.



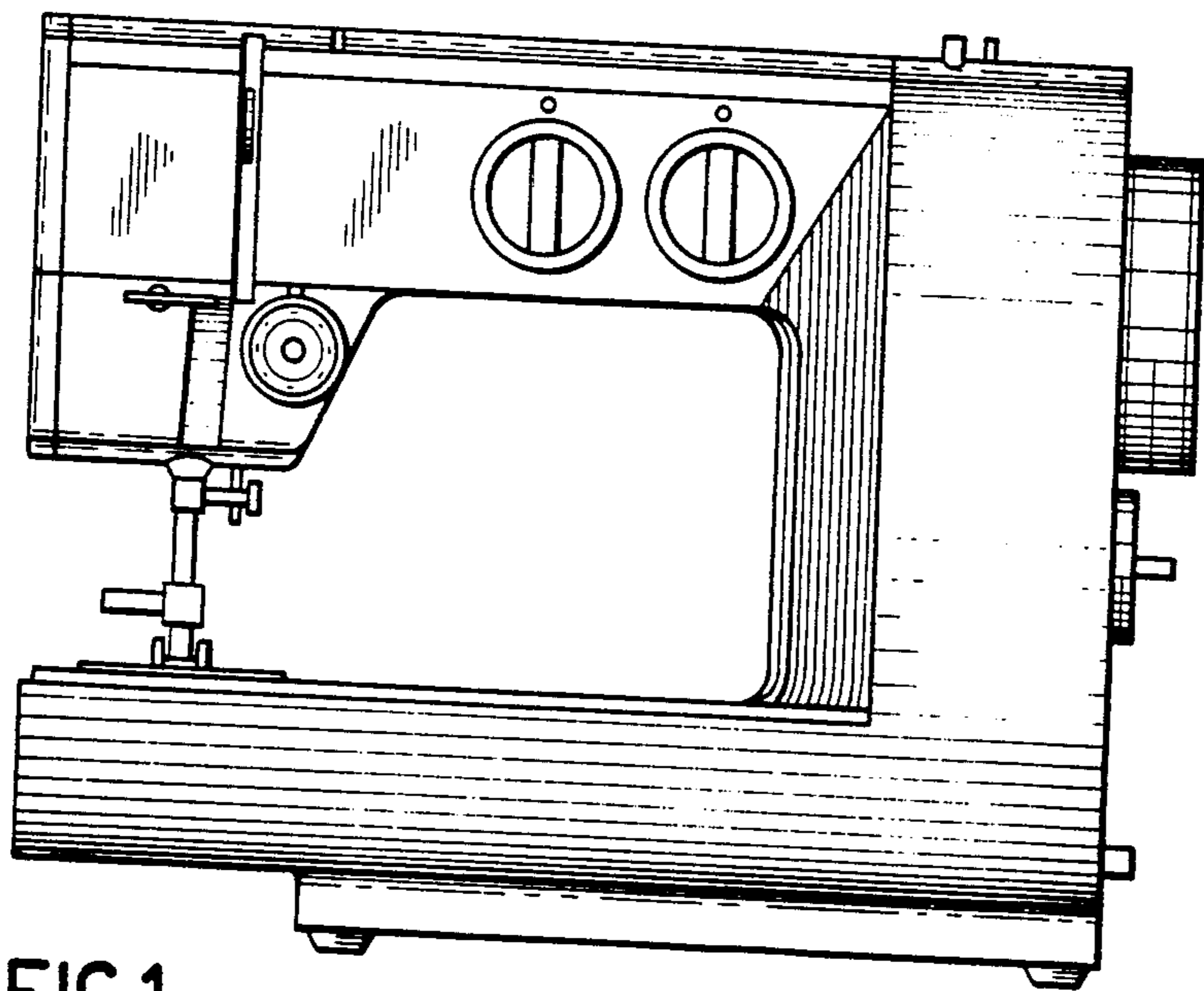
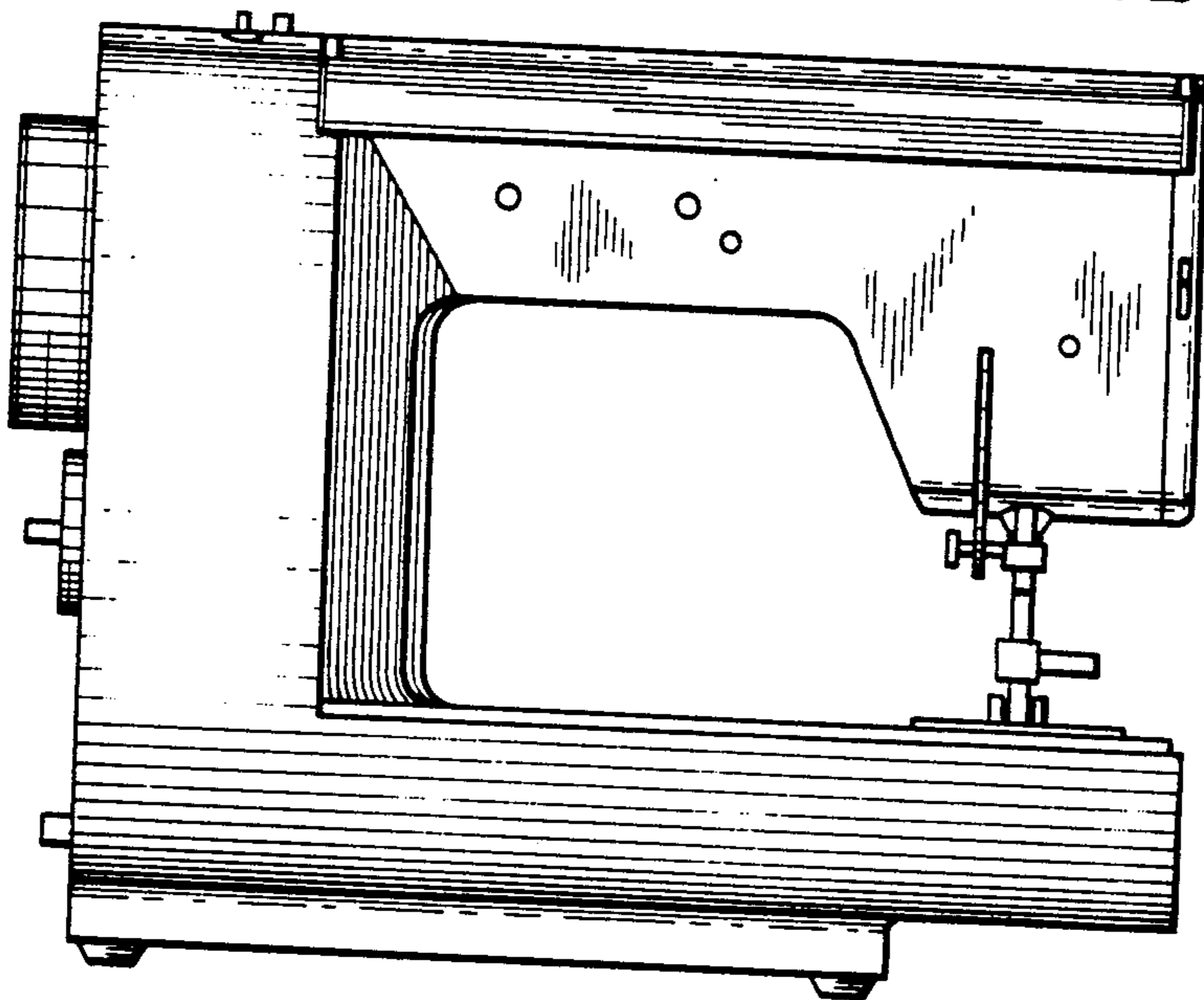
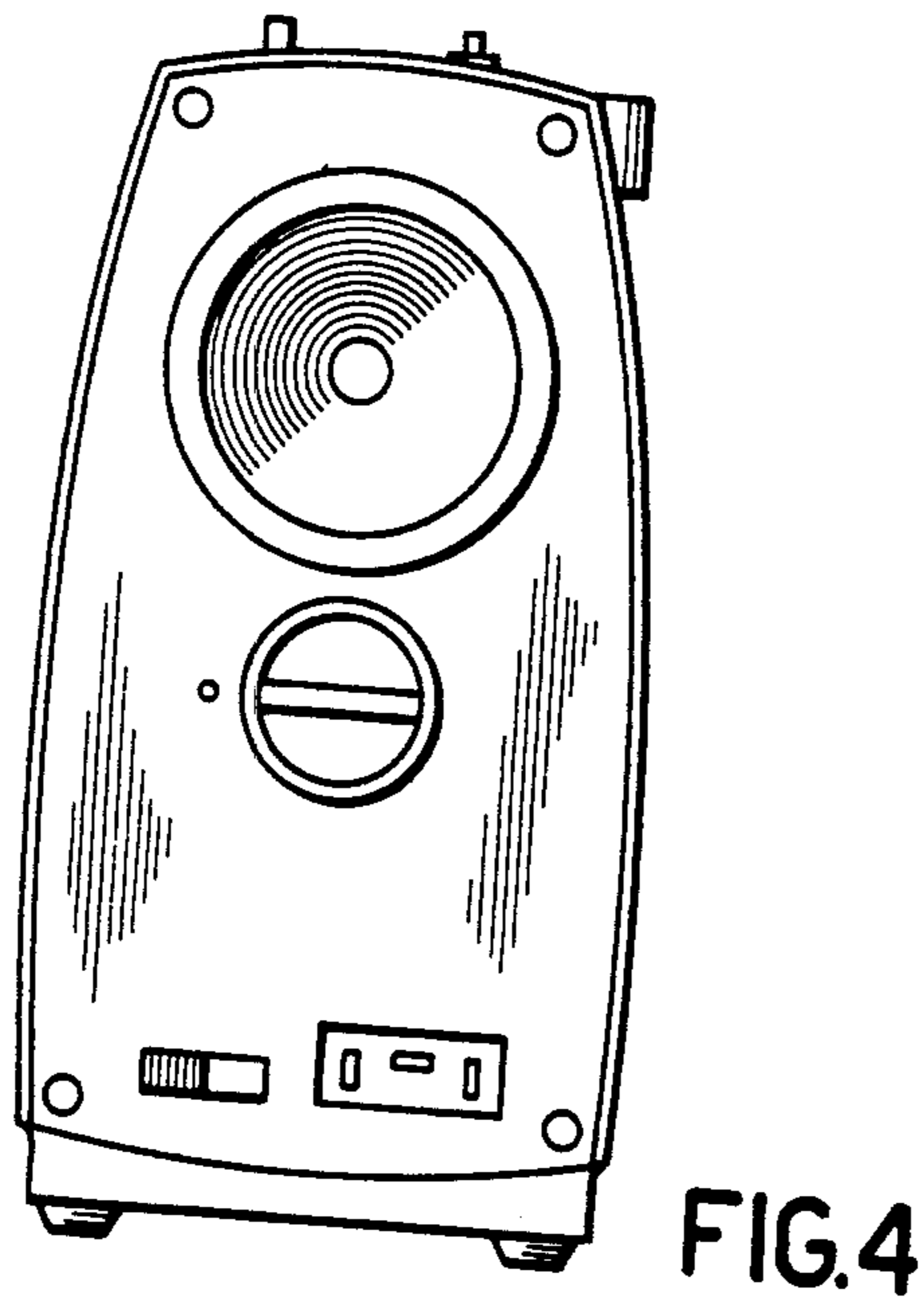
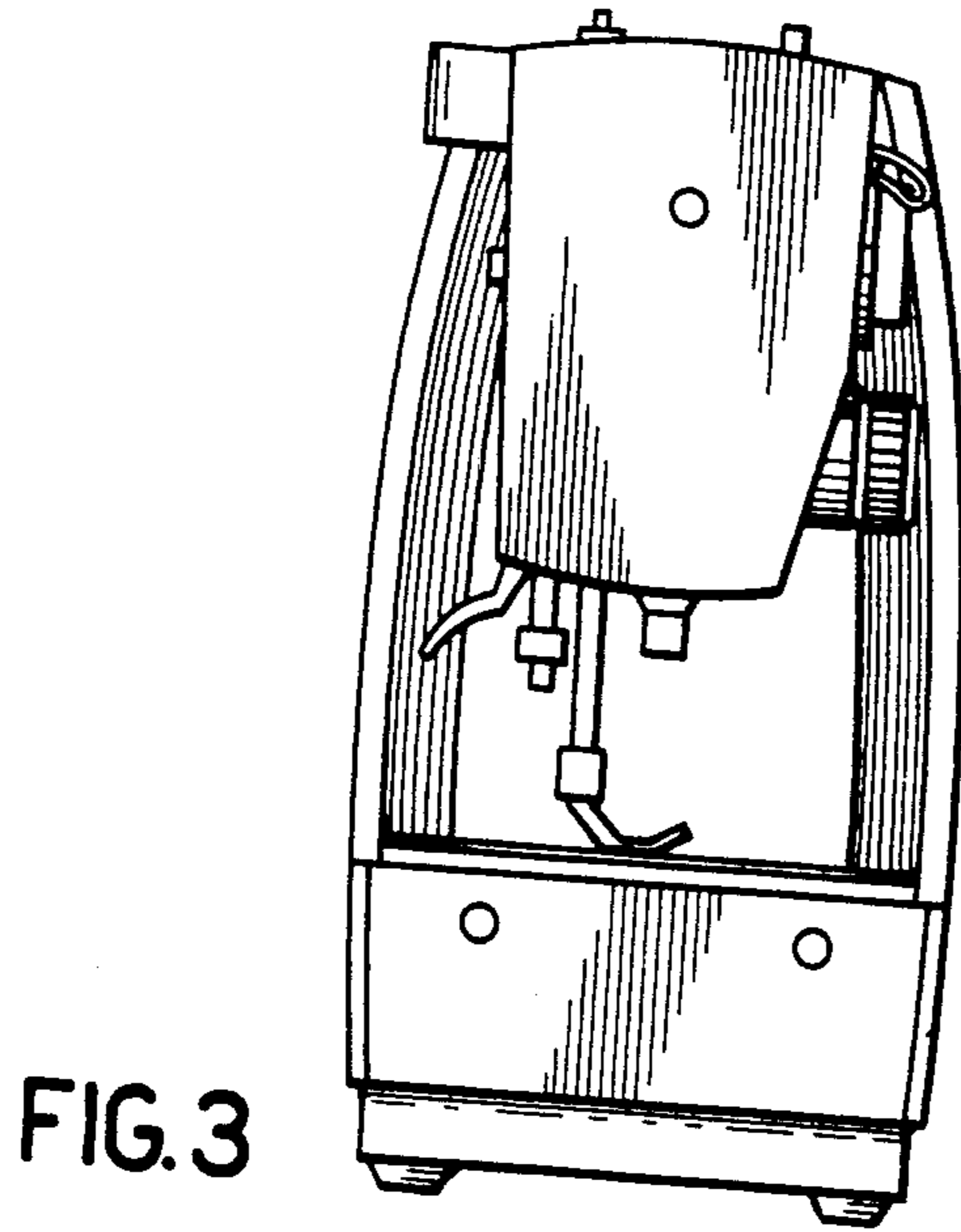


FIG. 1

FIG. 2





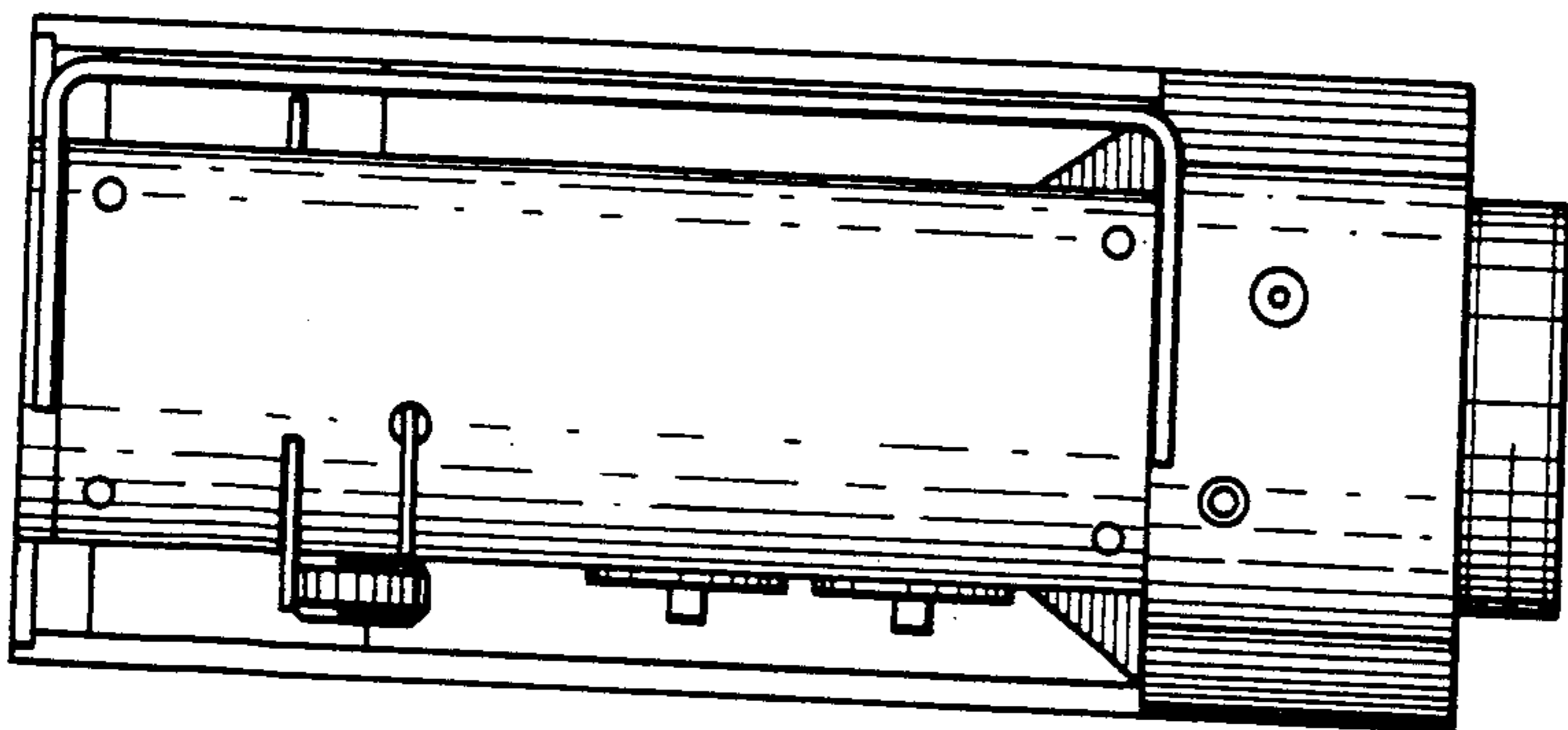
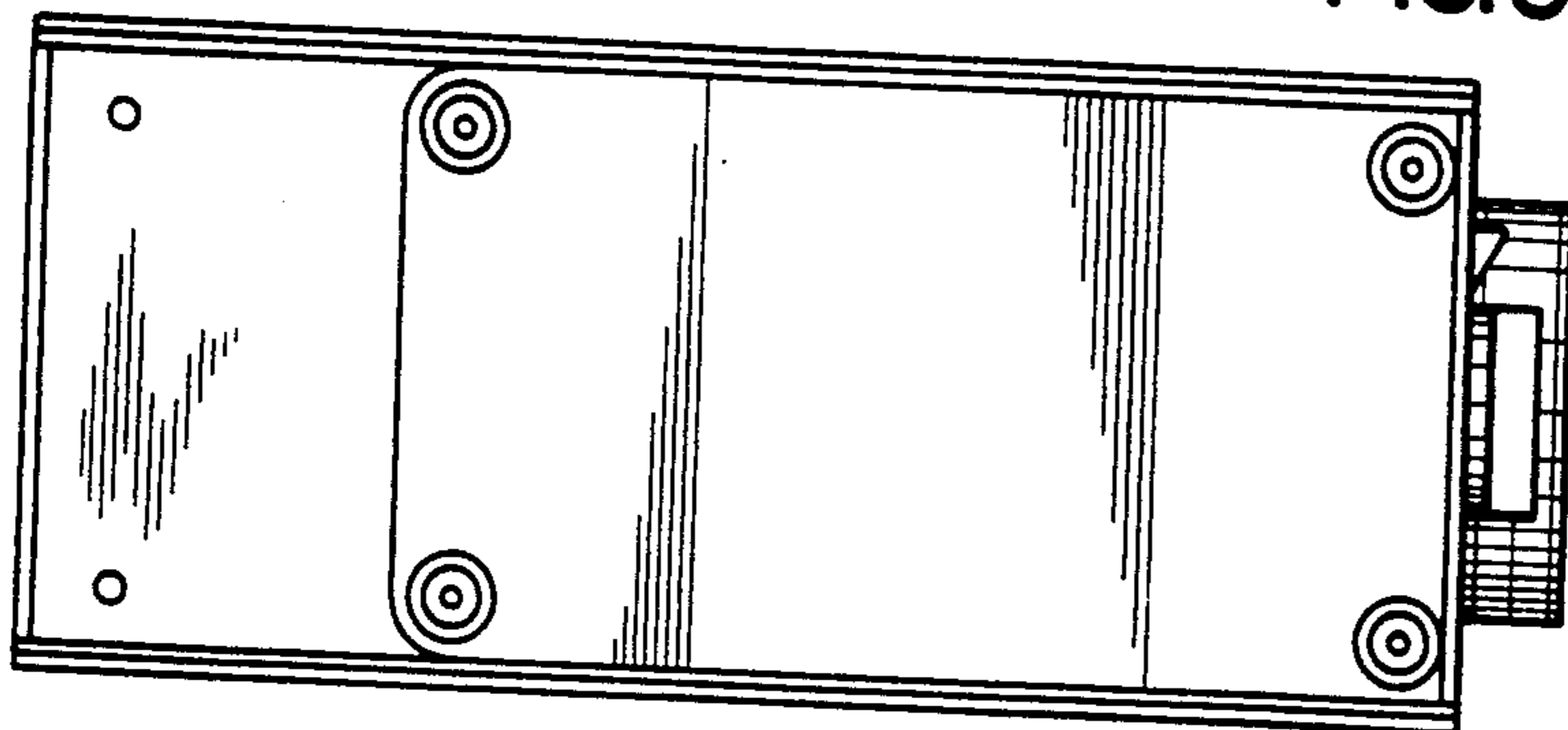


FIG. 5

FIG. 6



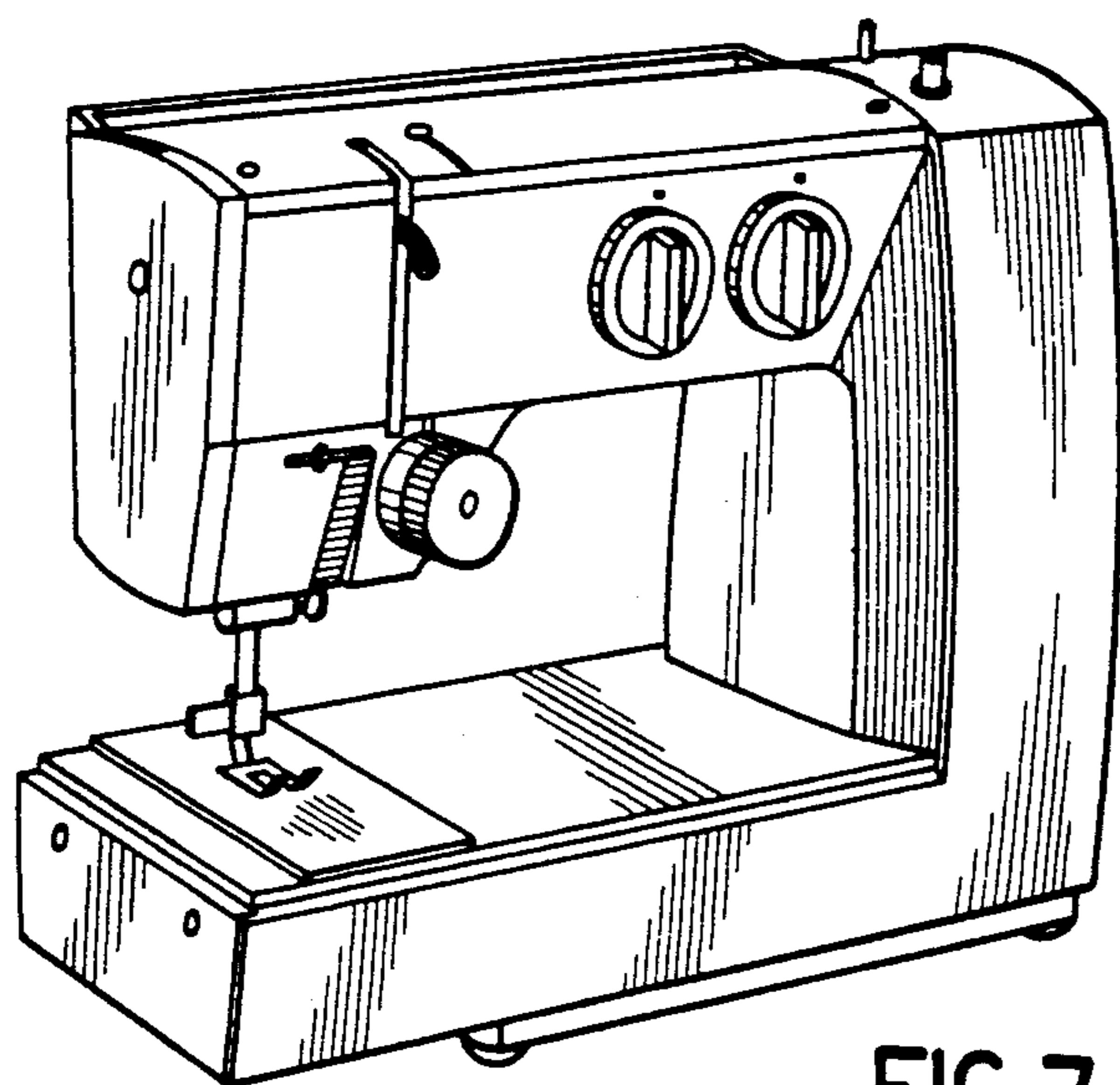


FIG. 7

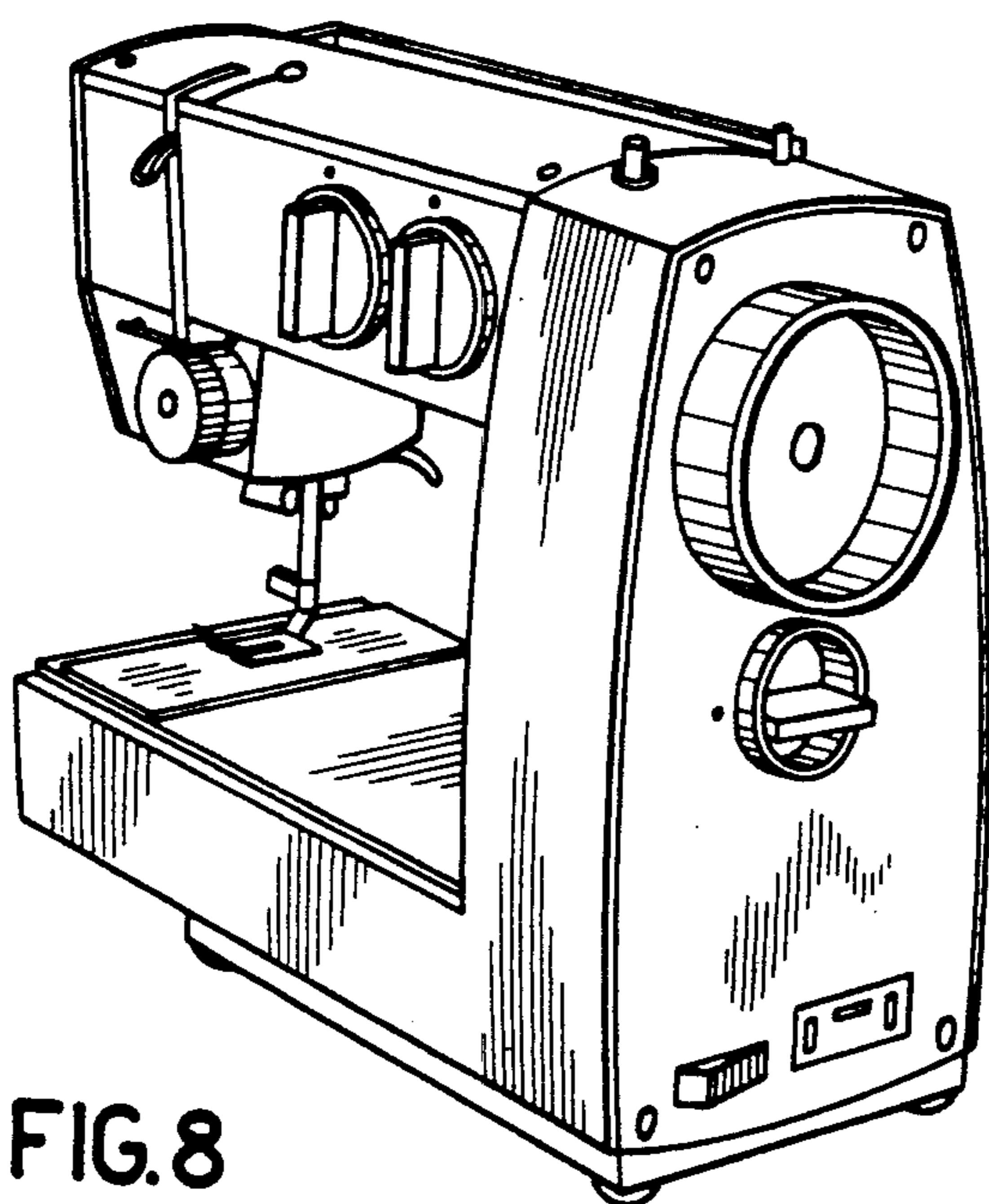


FIG. 8

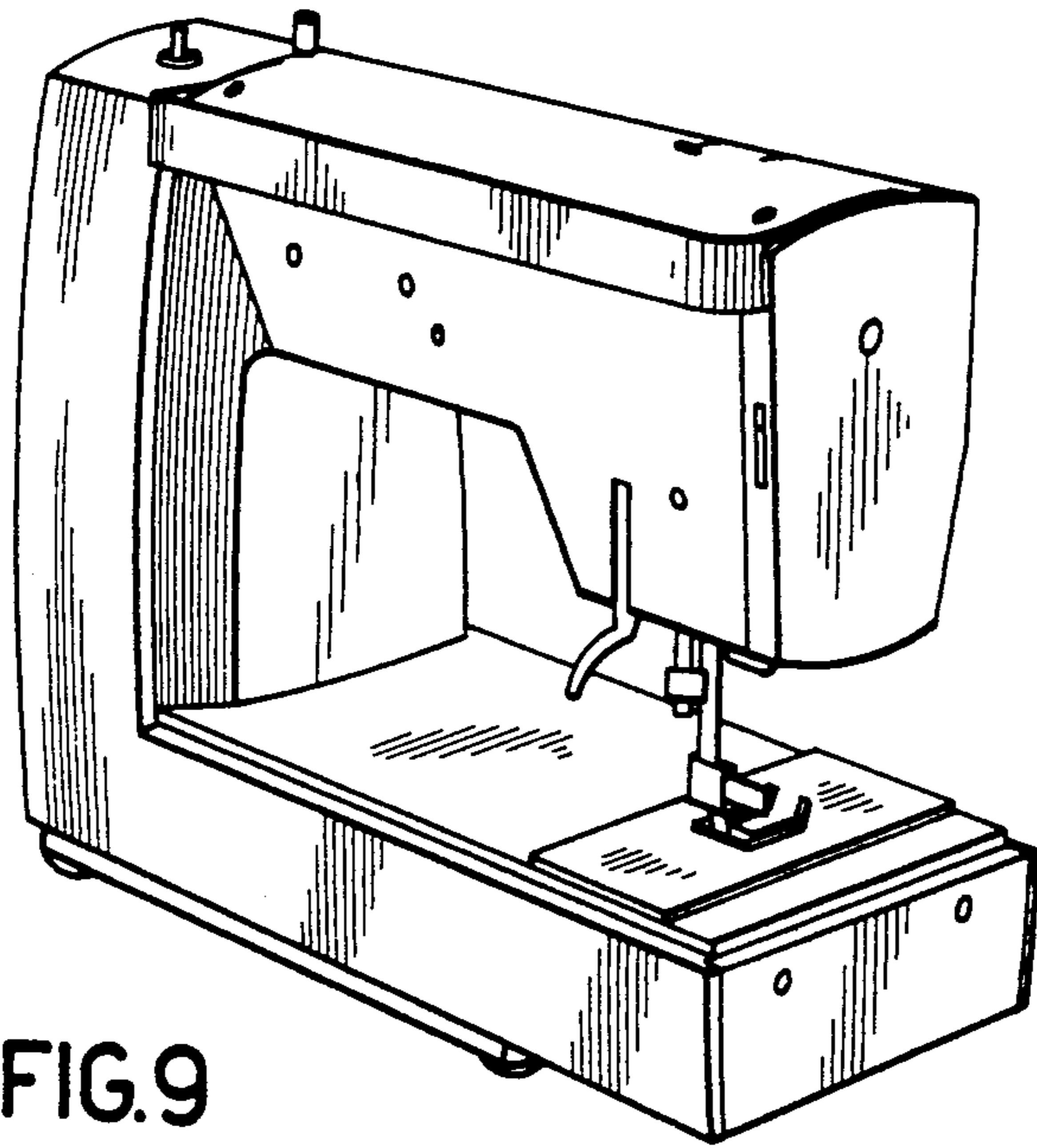


FIG. 9

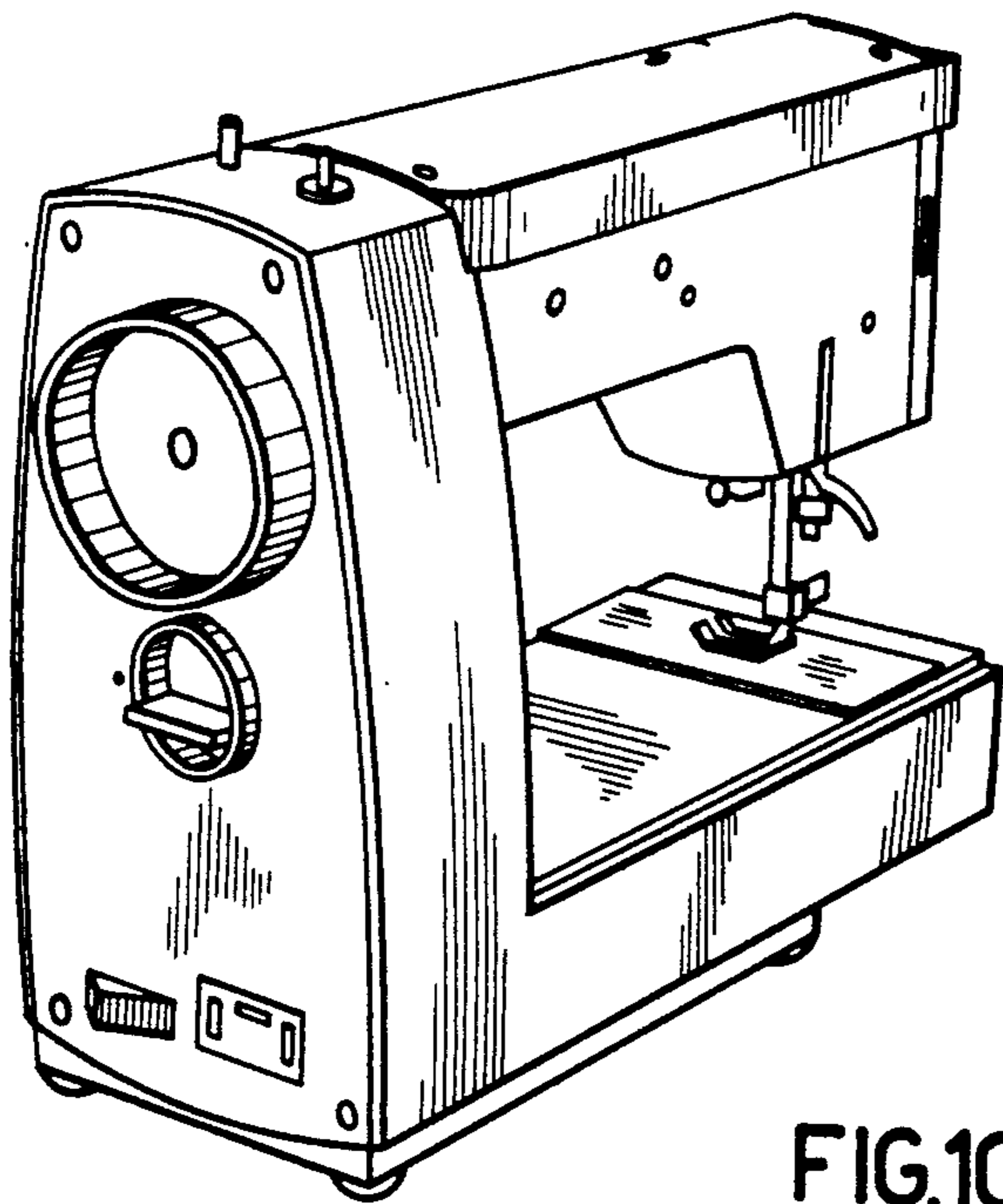


FIG. 10

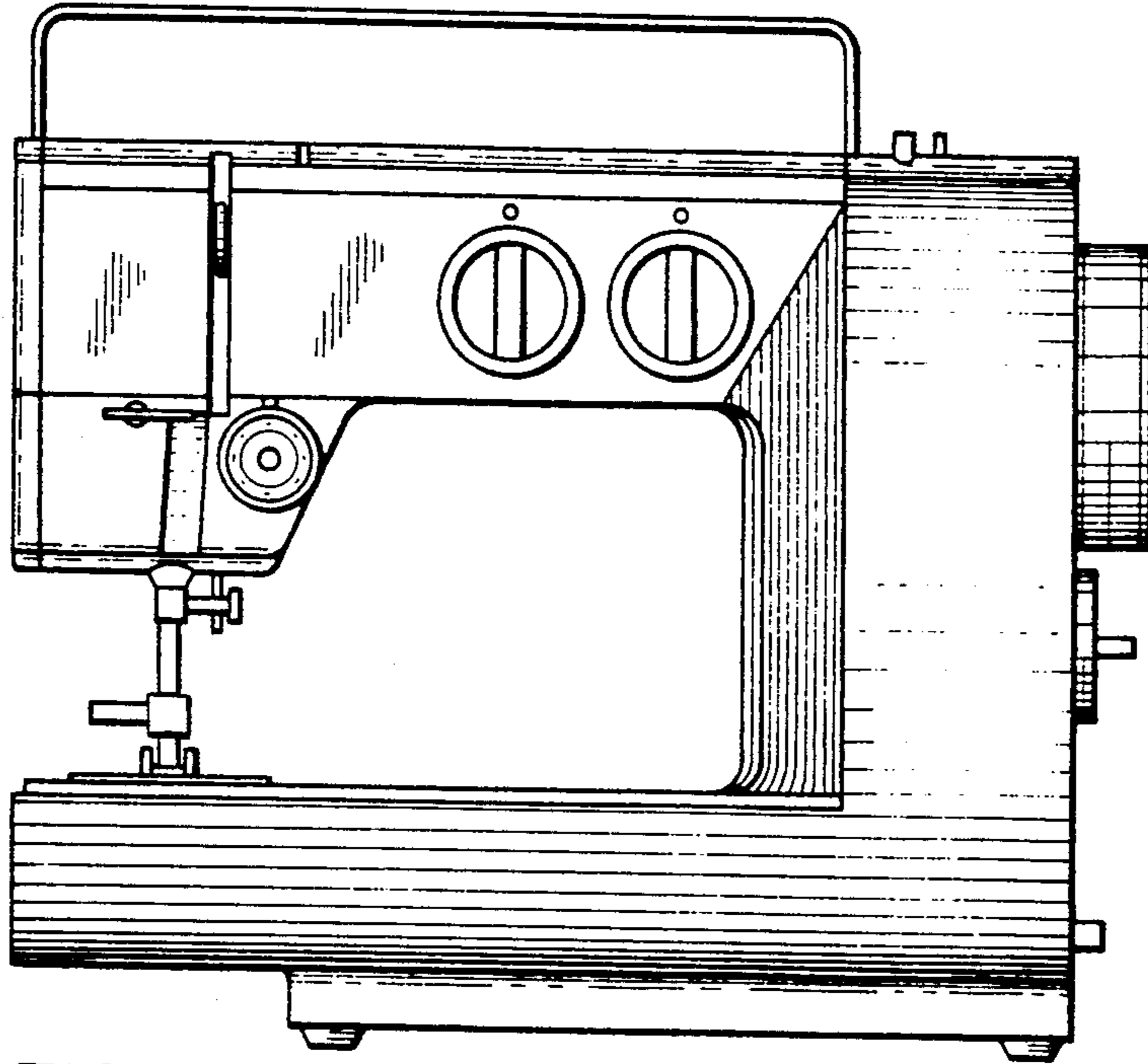
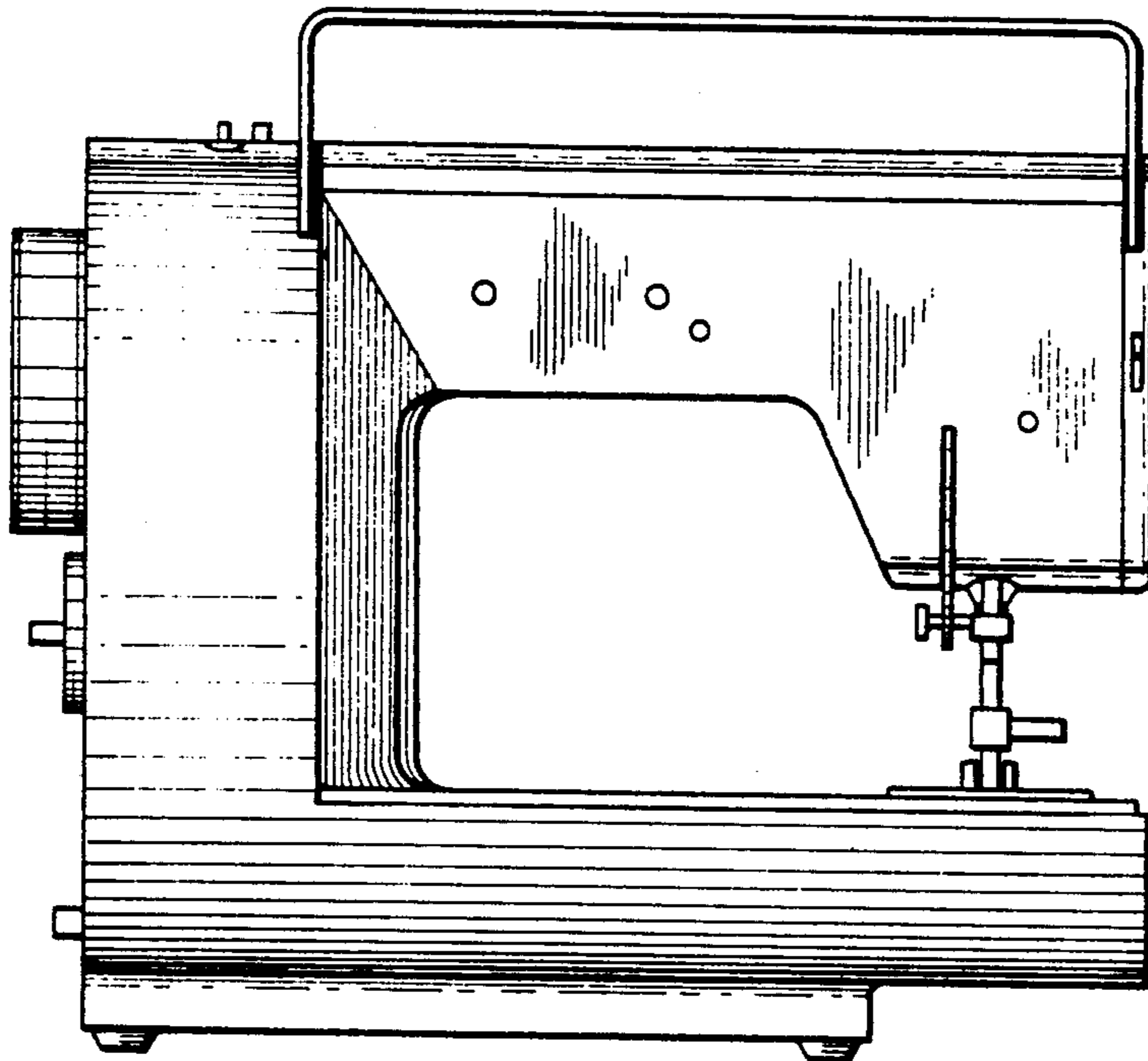


FIG.11

FIG.12



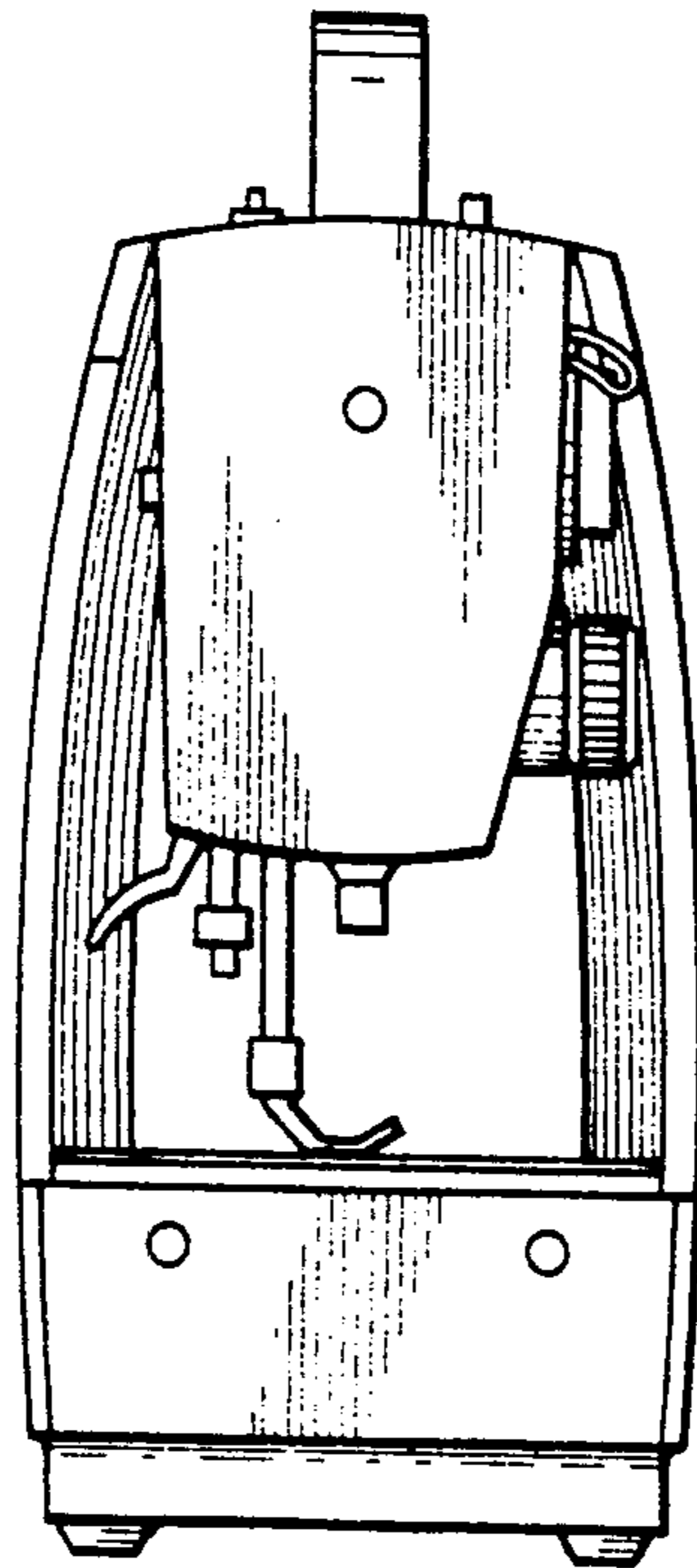


FIG. 13

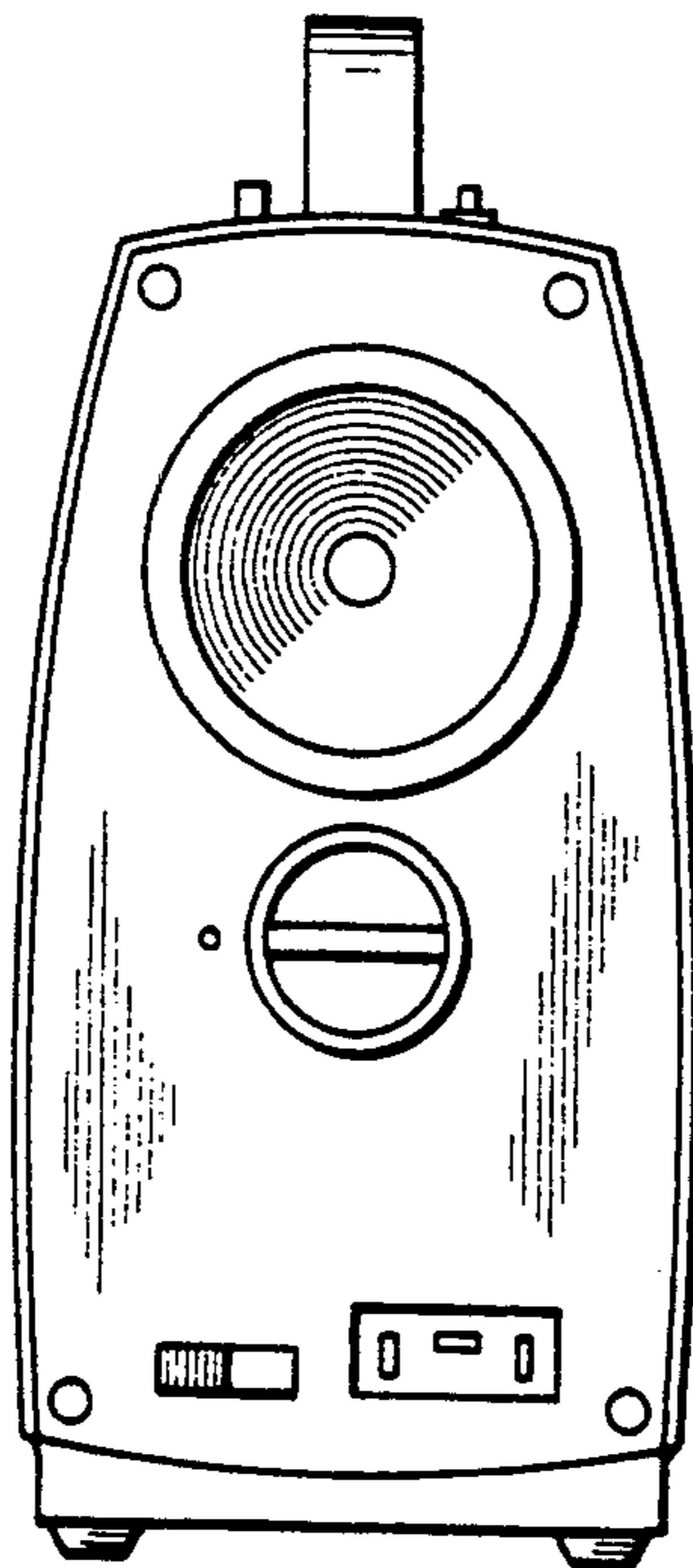


FIG. 14



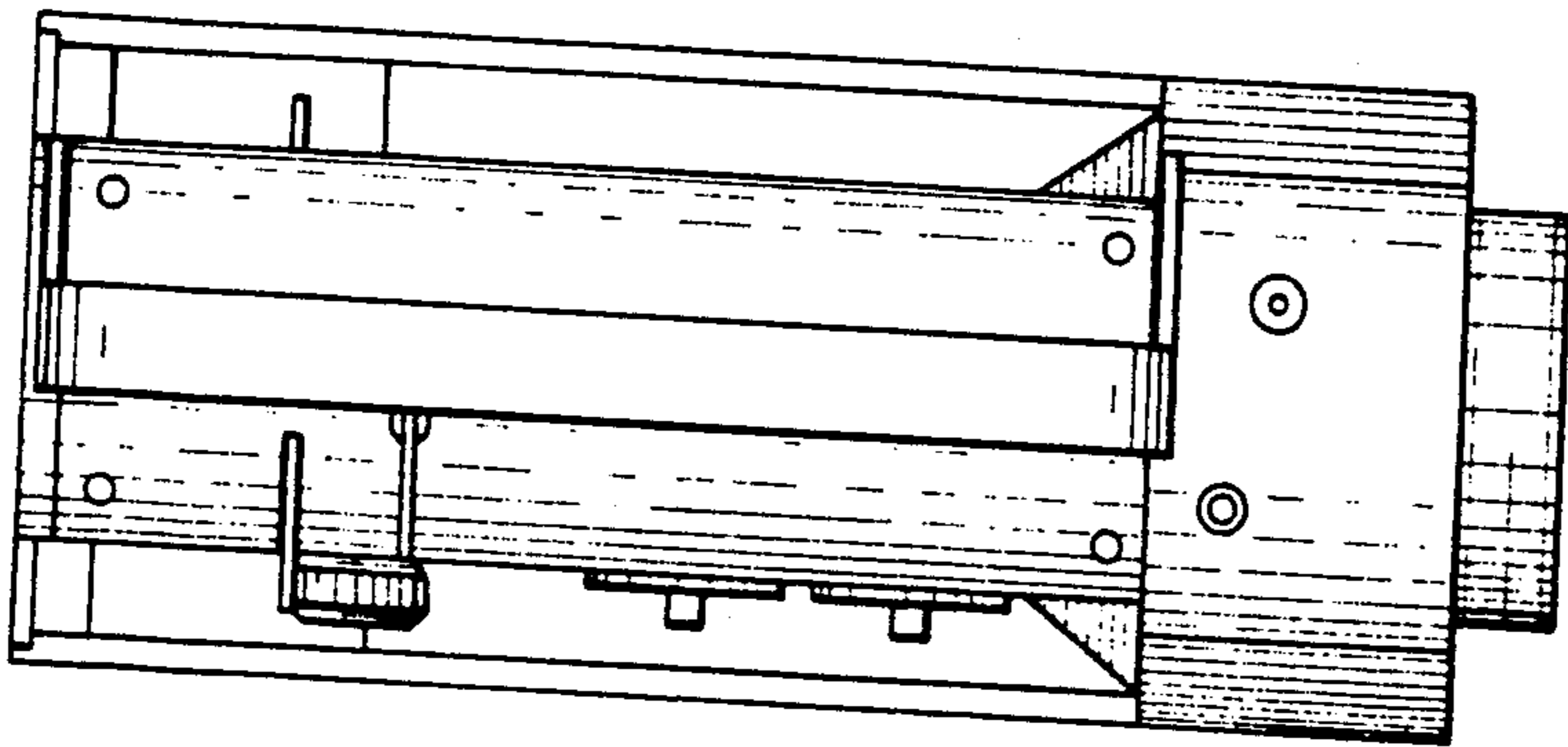


FIG. 15