

[54] CIRCULAR KNITTING MACHINE

3,959,992 6/1976 Eschenbach ..... 66/8  
4,033,147 7/1977 King ..... 66/8

[75] Inventor: Wayne Allen Current, Cranford, N.J.

[73] Assignee: The Singer Company

[\*\*] Term: 14 Years

[21] Appl. No.: 702,559

[22] Filed: Jul. 6, 1976

[51] Int. Cl. .... D15-06

[52] U.S. Cl. .... D15/66

[58] Field of Search ..... D15/66, 68-78;  
66/8

[56] References Cited

U.S. PATENT DOCUMENTS

3,590,599 7/1971 Ricart ..... 66/8  
3,859,822 1/1975 Renda et al. .... 66/8  
3,910,069 10/1975 Ricart ..... 66/8

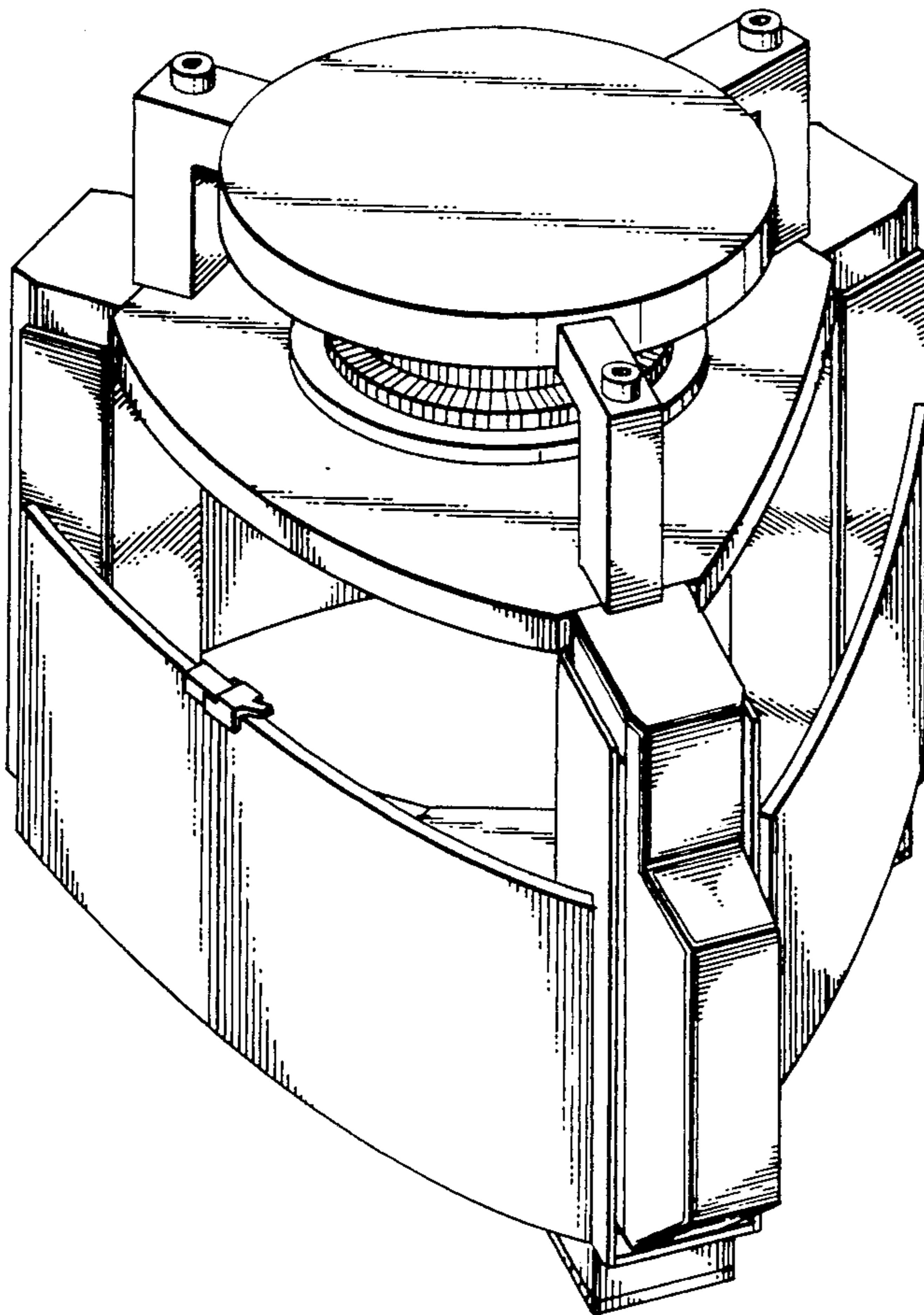
Primary Examiner—Joel Stearman  
Assistant Examiner—J. Corrigan  
Attorney, Agent, or Firm—Robert E. Smith

[57] CLAIM

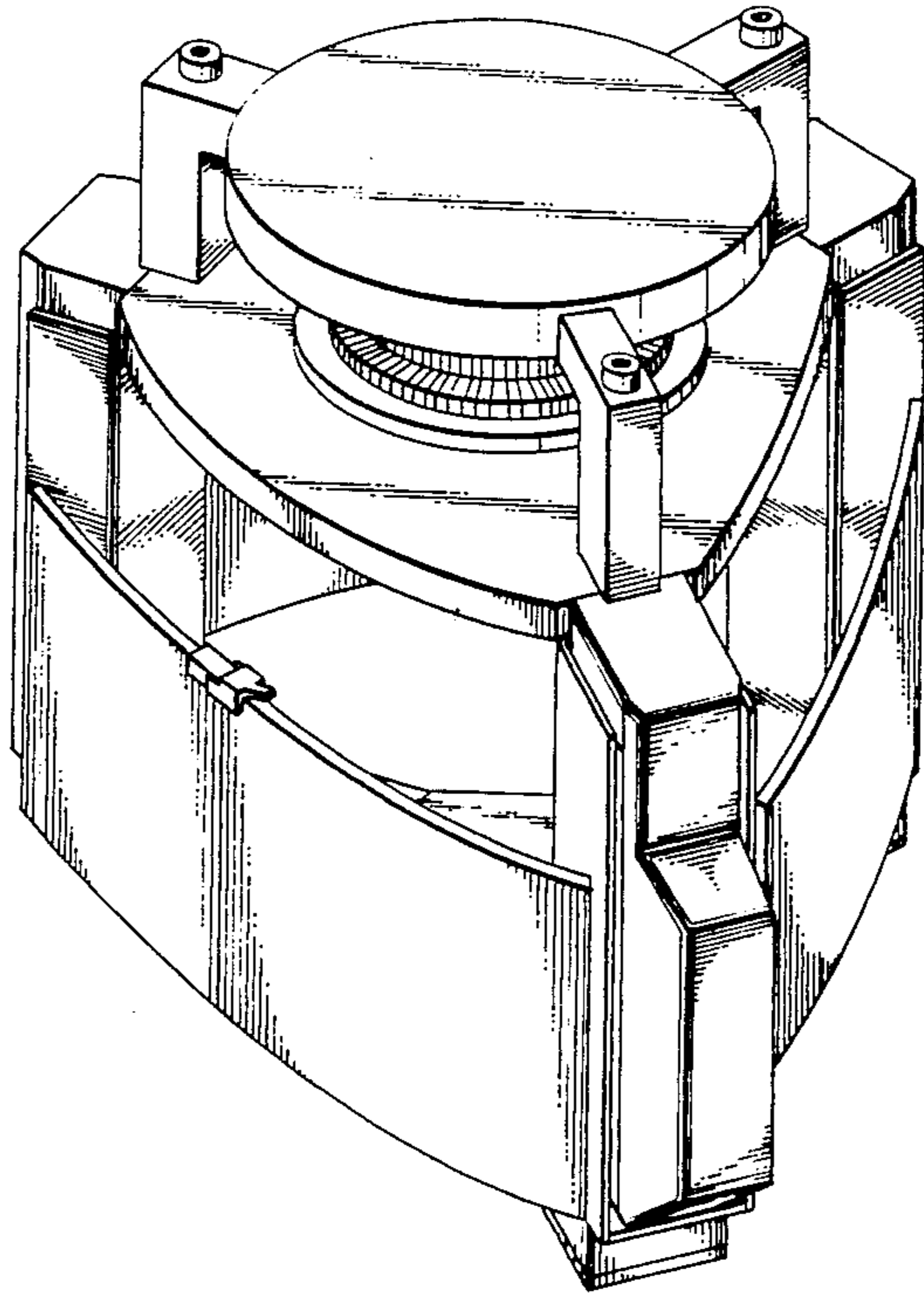
The ornamental design for a circular knitting machine, substantially as shown.

DESCRIPTION

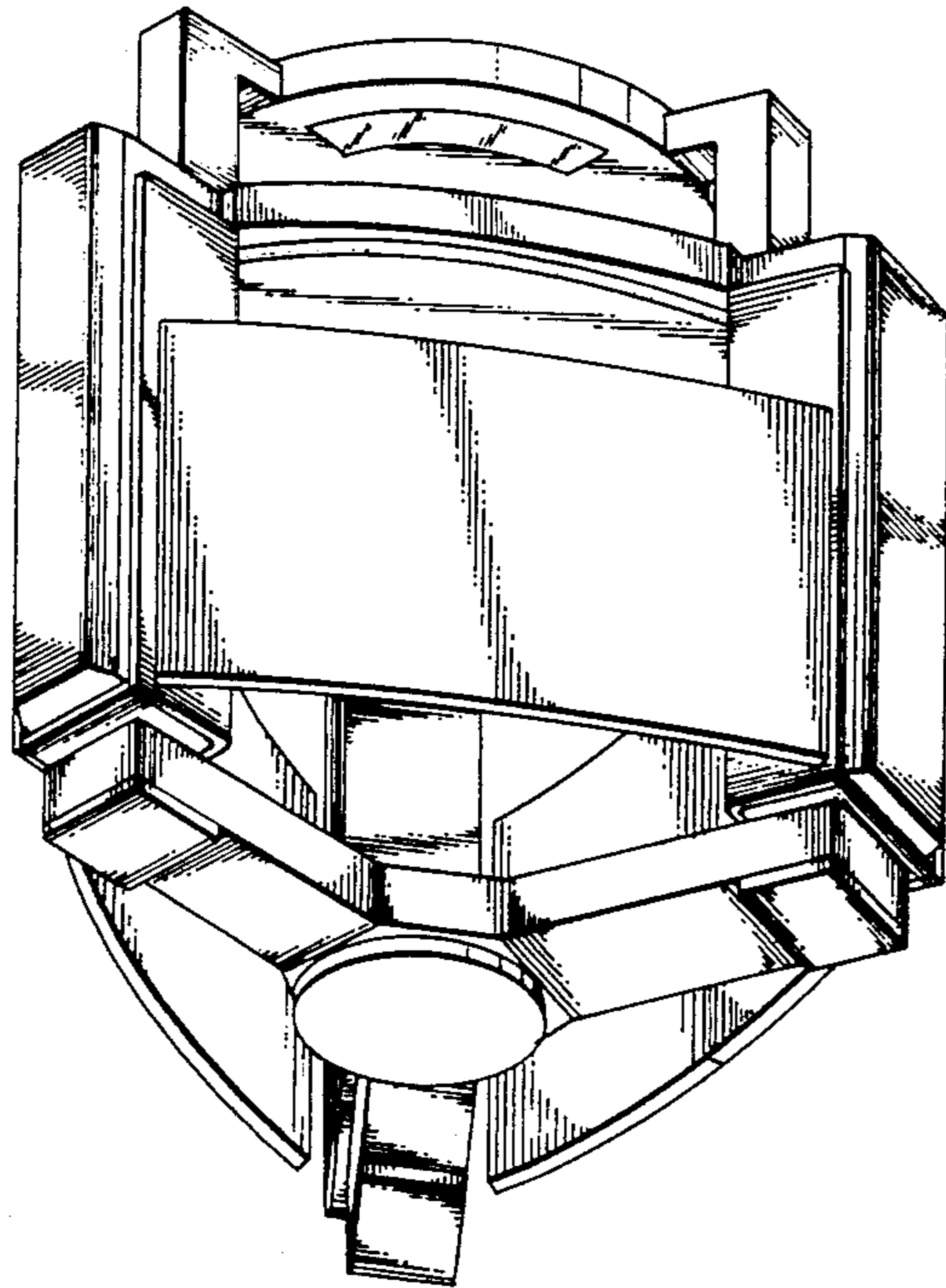
FIG. 1 is a front, top and right side perspective view of a circular knitting machine showing my new design; FIG. 2 is a bottom and left side perspective view; FIG. 3 is a top plan view; FIG. 4 is a front elevational view; FIG. 5 is a rear elevational view; FIG. 6 is a bottom plan view; FIG. 7 is a left side elevational view; and FIG. 8 is a right side elevational view.

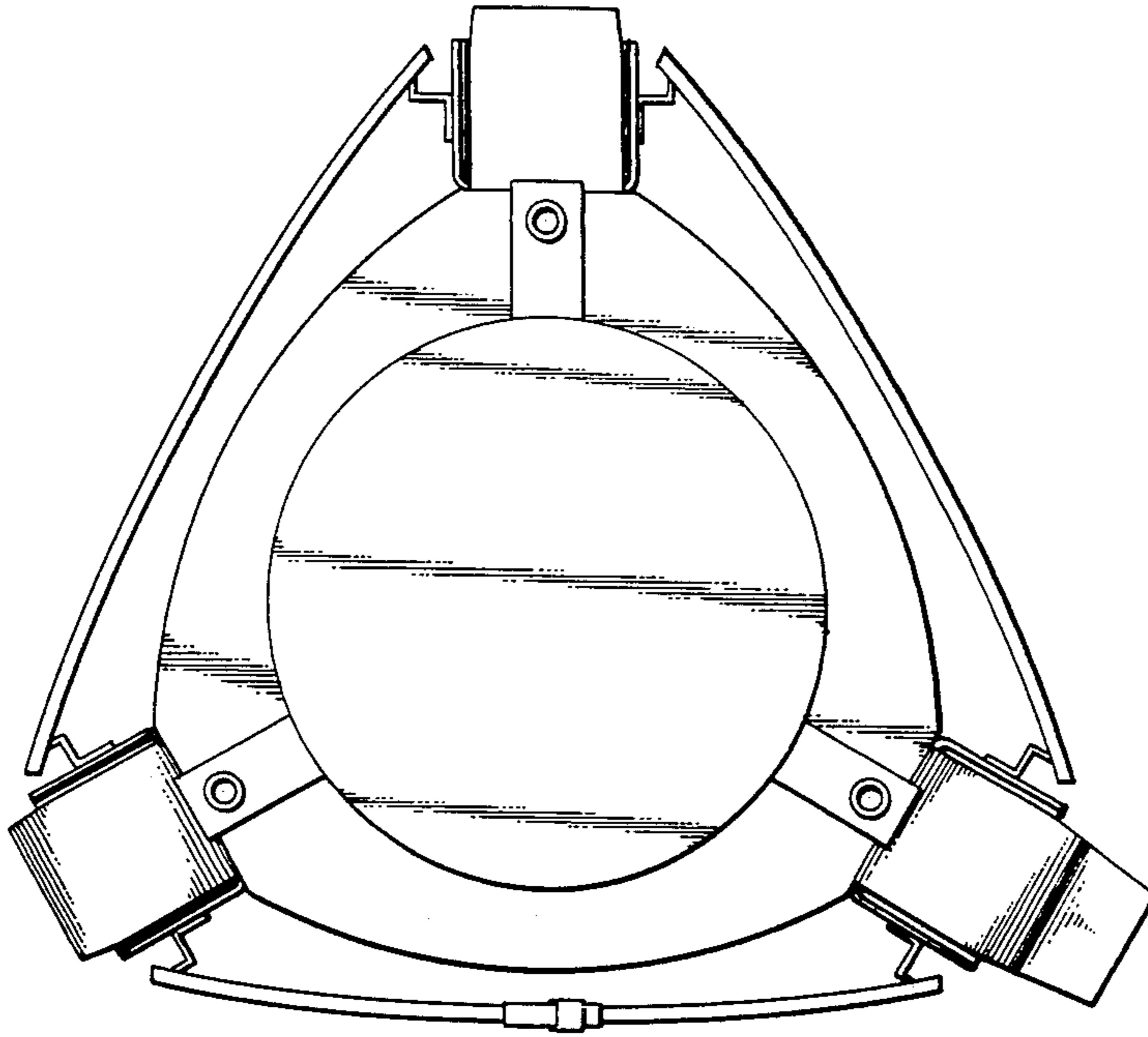


*Fig. 1*

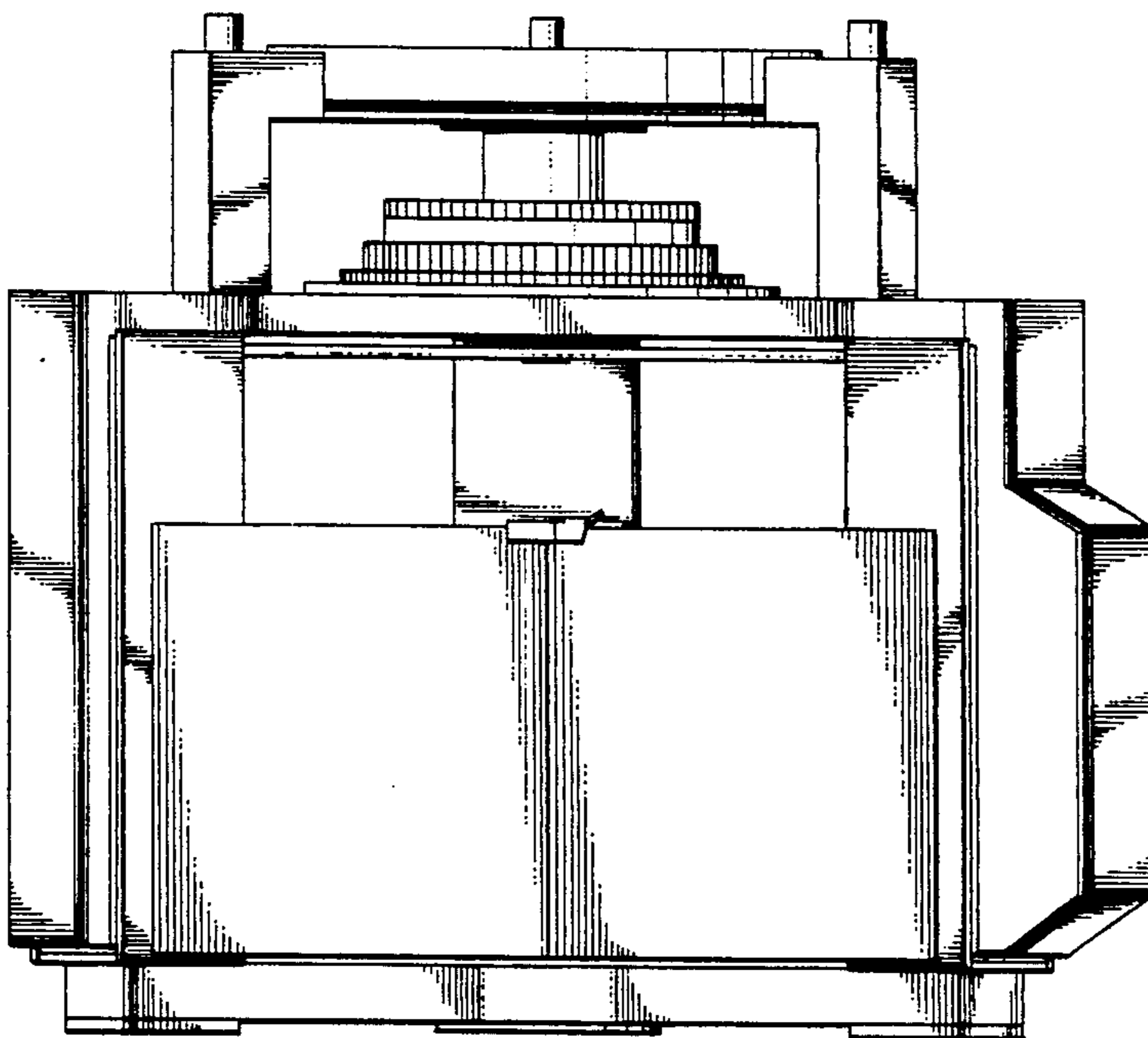


*Fig. 2*

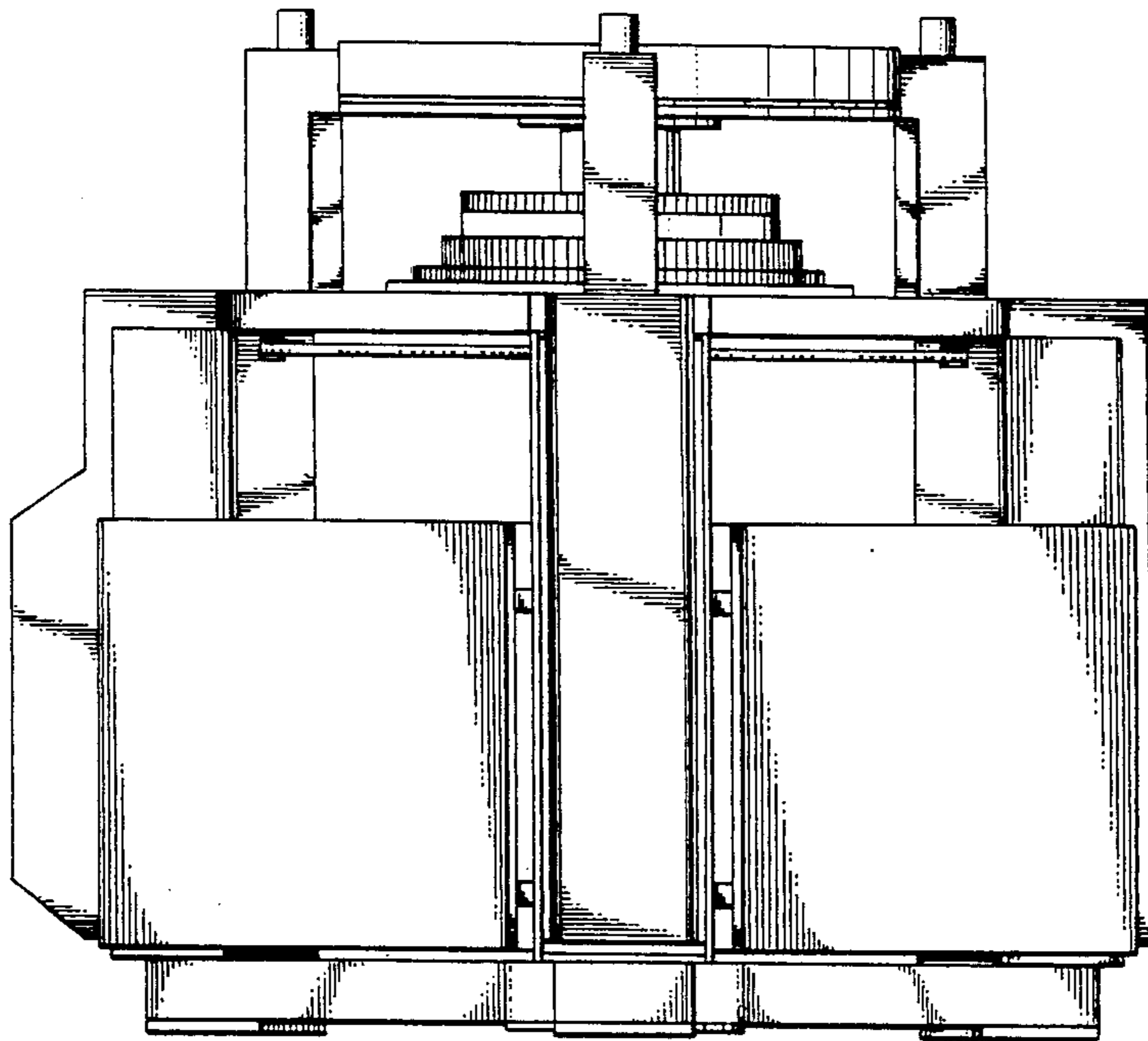




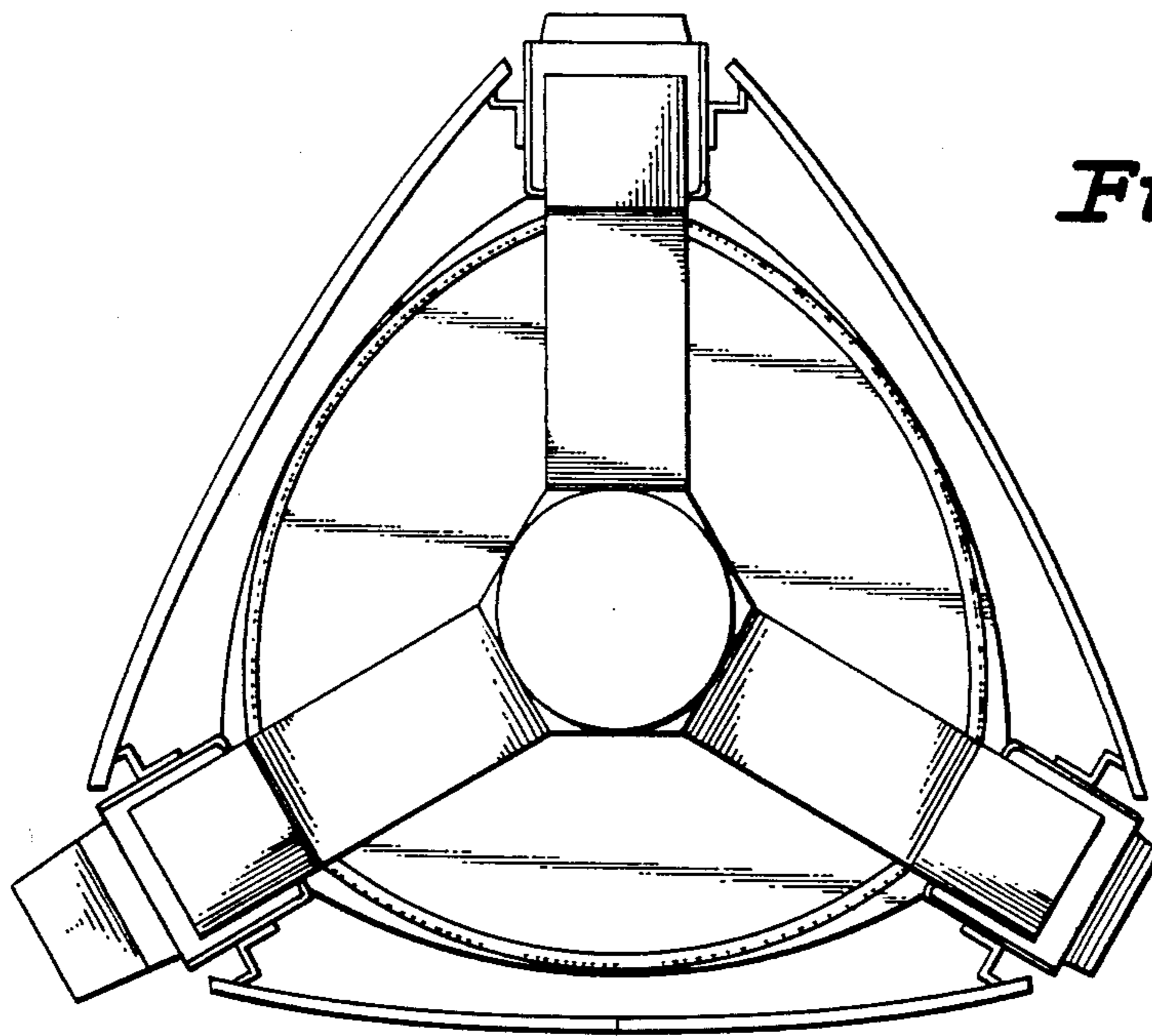
*Fig. 3*



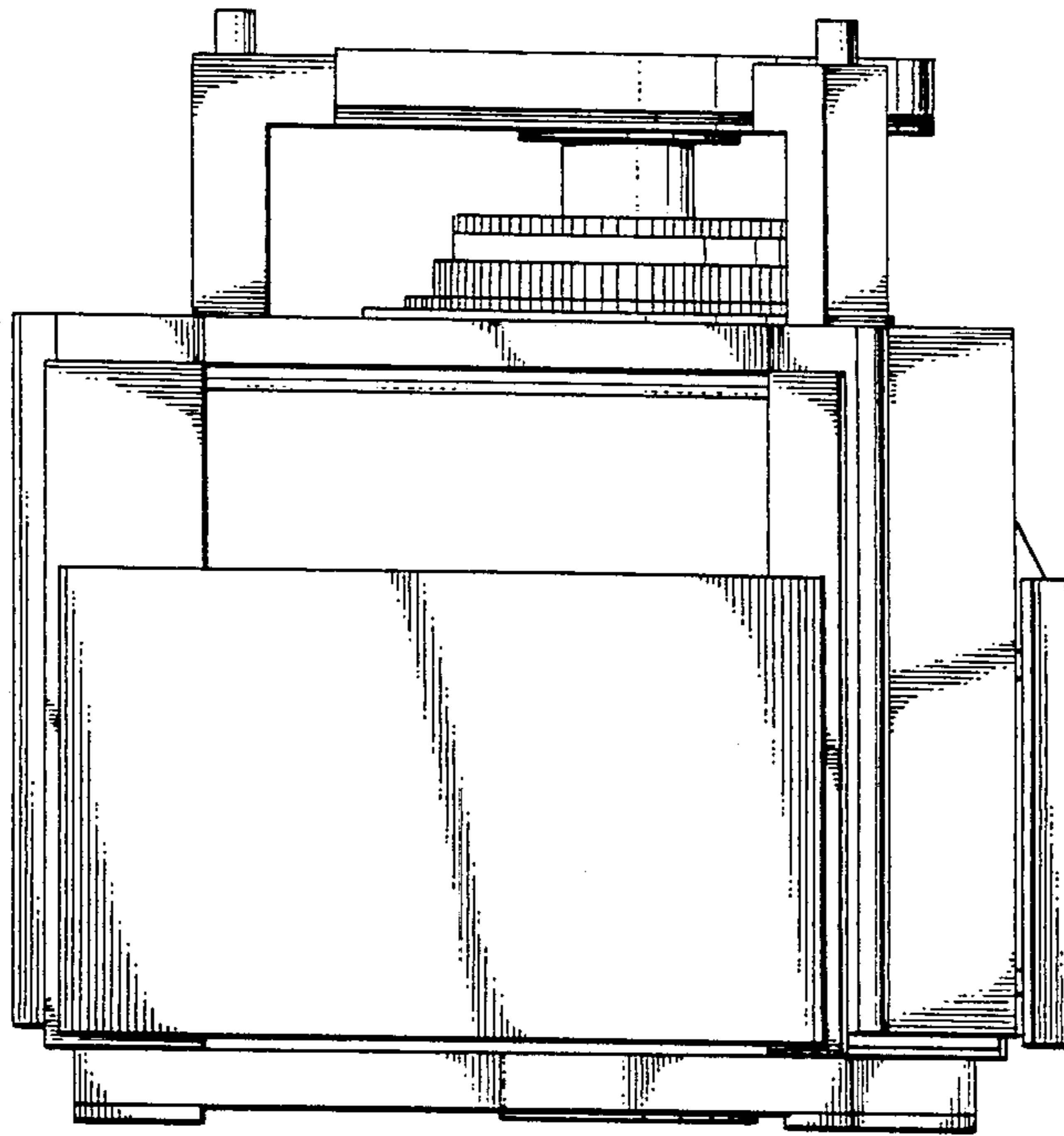
*Fig. 4*



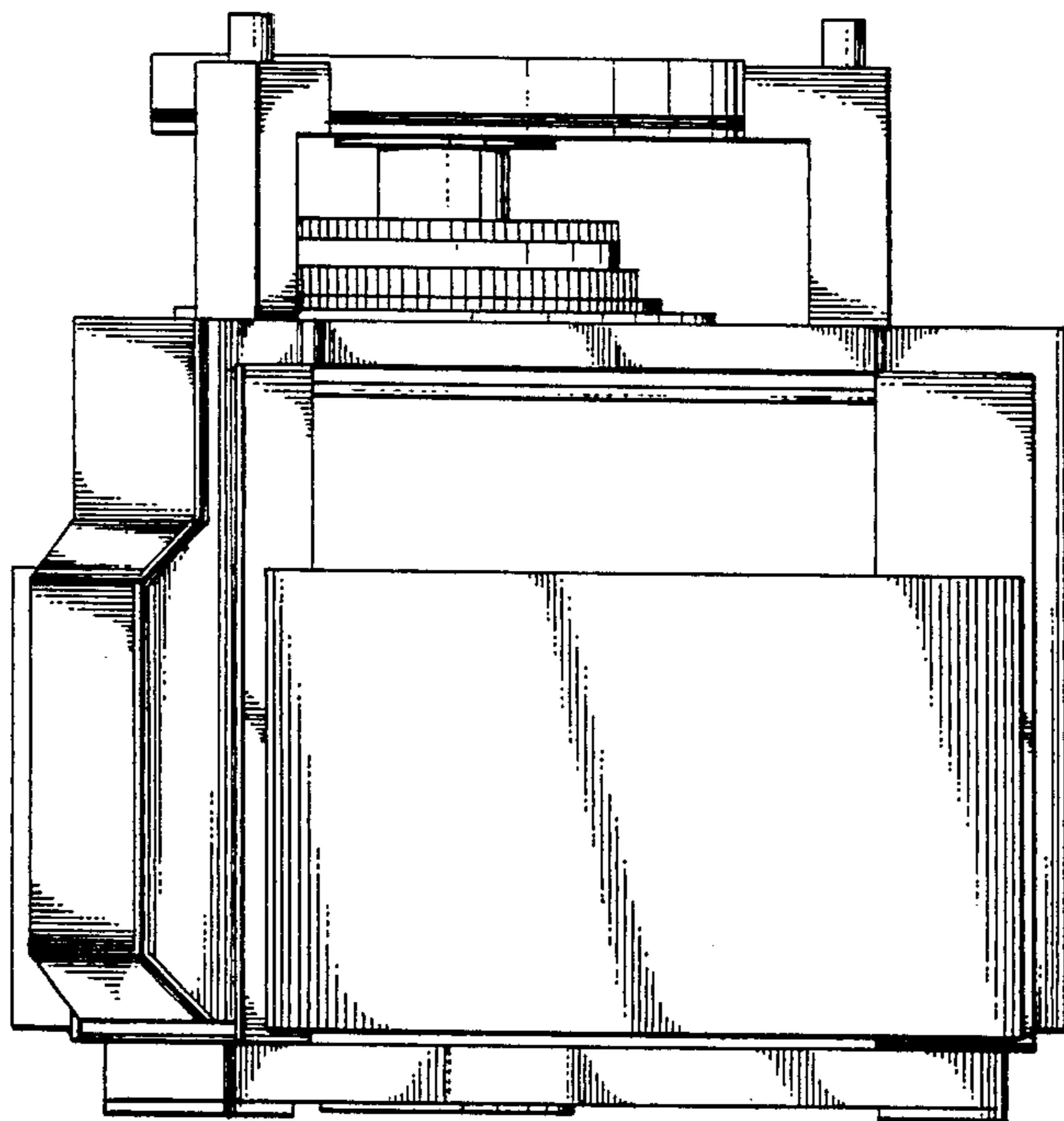
*Fig. 5*



*Fig. 6*



*Fig. 7*



*Fig. 8*