

[54] POWERED SOIL WORKING TOOL

[76] Inventor: Samuel M. Underwood, Rte. 1, Box 274A, Blue Springs, Mo. 64015

[**] Term: 14 Years

[21] Appl. No.: 757,646

[22] Filed: Jan. 7, 1977

[51] Int. Cl. D15-03; D8-01

[52] U.S. Cl. D15/12; D8/8

[58] Field of Search D15/12; D8/6-8, D8/13; 172/41, 42

[56] References Cited

U.S. PATENT DOCUMENTS

2,823,597	2/1958	Kelsey	172/41
3,129,771	4/1964	Lidstone	172/41
4,003,436	1/1977	Foster et al.	172/41

Primary Examiner—Wallace R. Burke

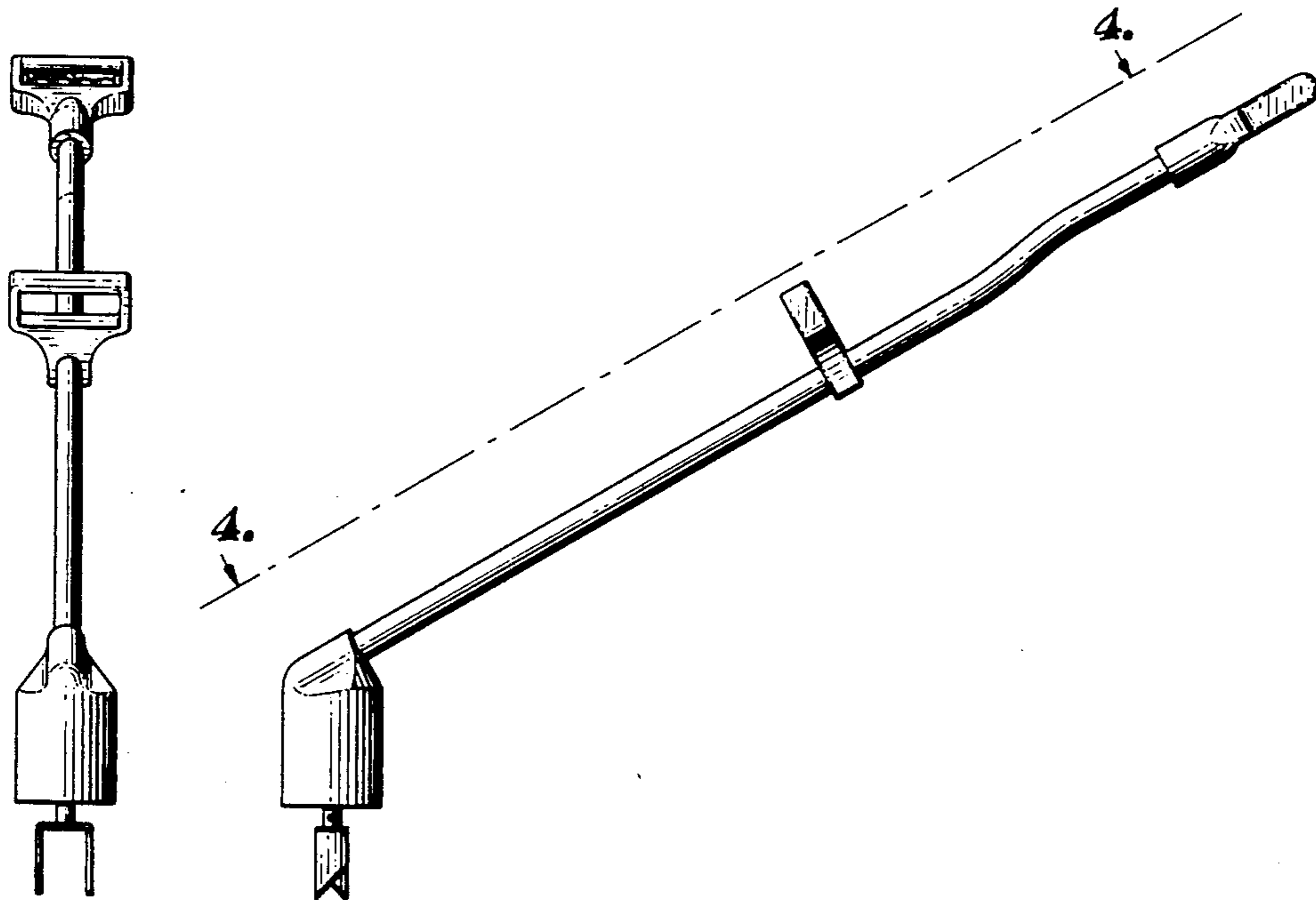
Assistant Examiner—James M. Gandy
Attorney, Agent, or Firm—Gordon D. Schmidt

[57] CLAIM

The ornamental design for a powered soil working tool, as shown and described.

DESCRIPTION

FIG. 1 is a left, side elevational view of a powered soil working tool showing my new design;
 FIG. 2 is a front elevational view thereof;
 FIG. 3 is a rear elevational view thereof;
 FIG. 4 is a top plan view thereof taken substantially along line 4-4 of FIG. 1;
 FIG. 5 is a bottom plan view thereof;
 FIG. 6 is a left, side elevational view of a powered soil working tool showing a second embodiment of my new design;
 FIG. 7 is a front elevational view of FIG. 6;
 FIG. 8 is a rear elevational view of FIG. 6; and
 FIG. 9 is a bottom plan view of FIG. 6.



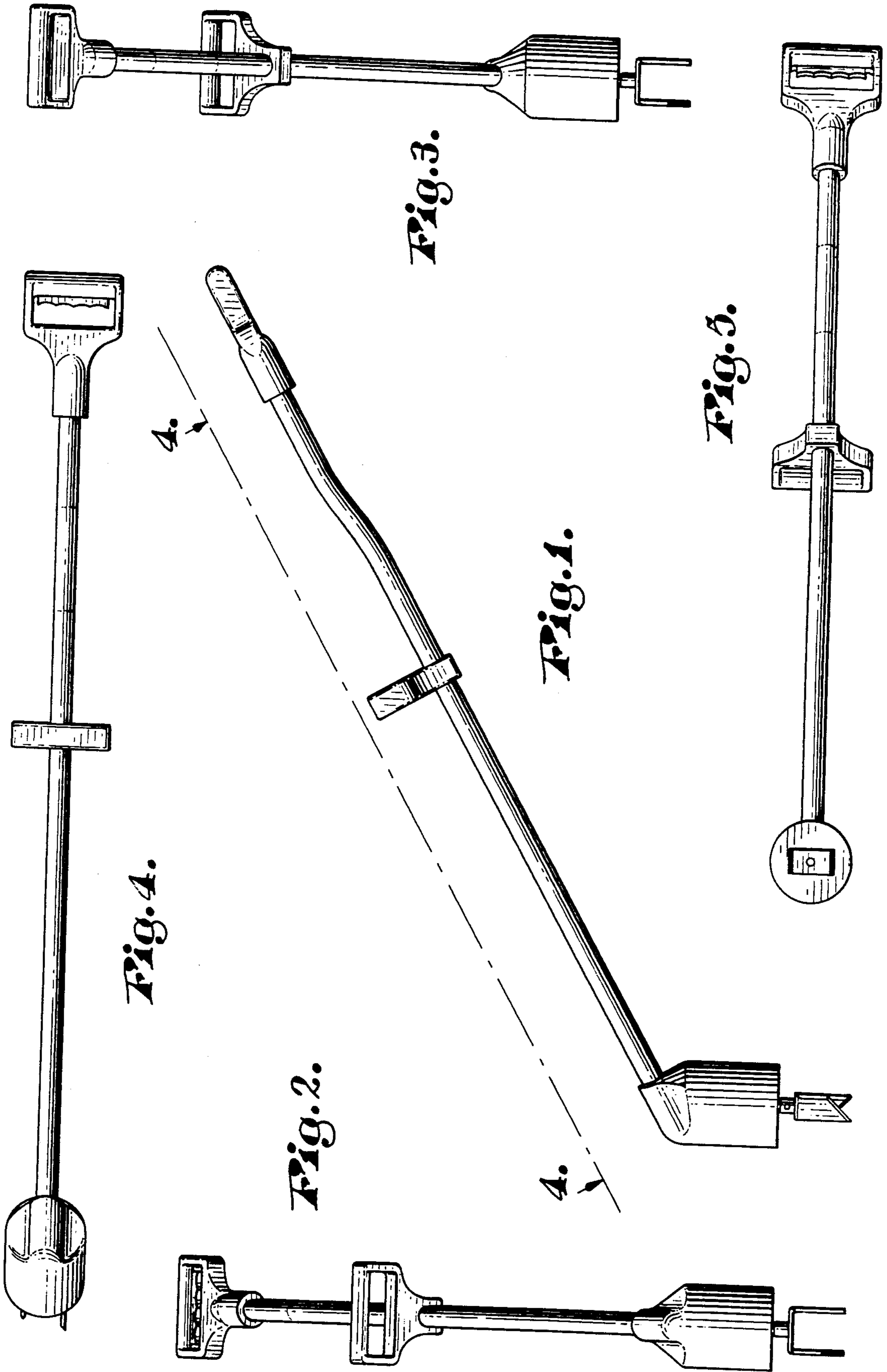




Fig. 8.

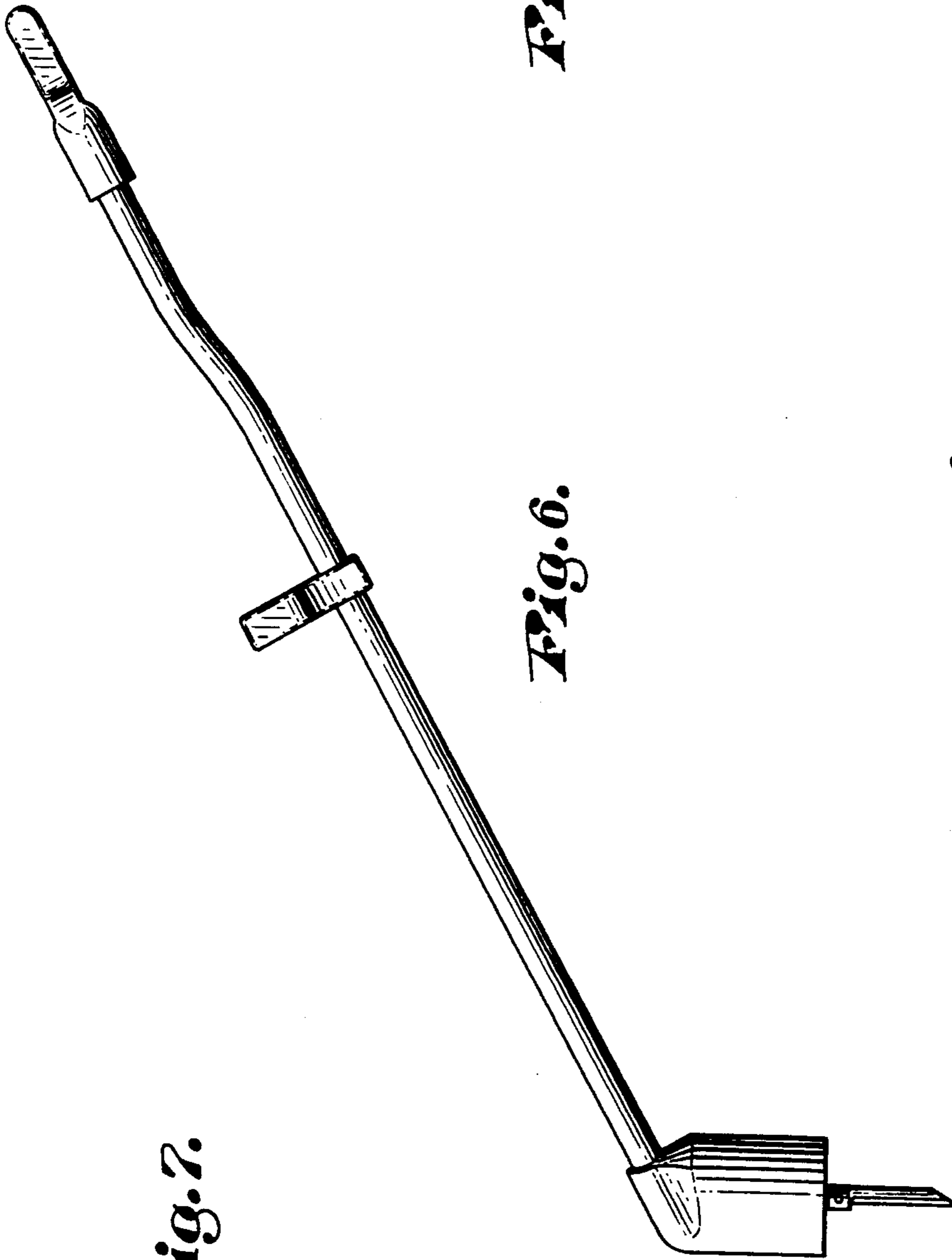


Fig. 6.

Fig. 7.

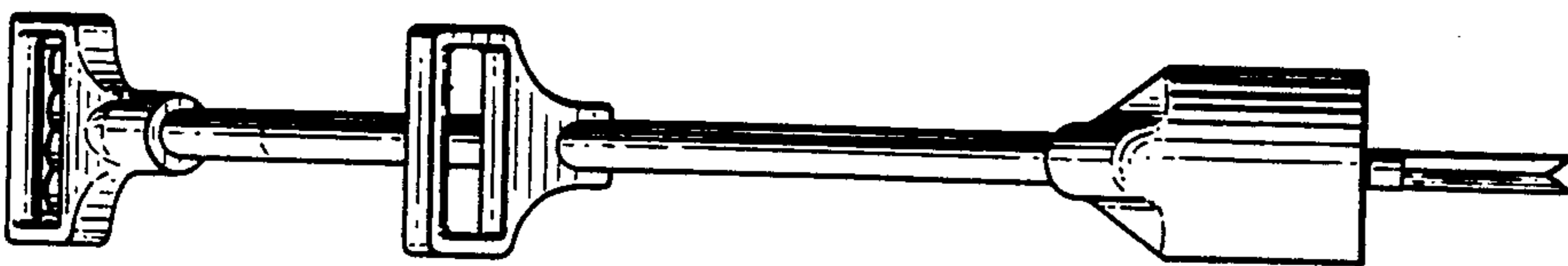


Fig. 9.

