

[54] AUTOMATIC TELEPHONE DIALING UNIT

[75] Inventors: Herman Plomp, Rijswijk; Jan Hendrik Lucas, Zoetermeer, both of Netherlands

[73] Assignee: Varel B.V., Netherlands

[**] Term: 7 Years

[21] Appl. No.: 730,861

[22] Filed: Oct. 8, 1976

[30] Foreign Application Priority Data

Apr. 8, 1976 Netherlands 7650981

[51] Int. Cl. D14-03

[52] U.S. Cl. D14/58

[58] Field of Search D14/4, 71, 62, 52, 58, D14/70, 72, 59; D7/22; 179/90 CS

[56] References Cited

U.S. PATENT DOCUMENTS

D. 224,233 7/1972 Fujita D14/52
D. 225,866 1/1973 Fujita D14/72

3,124,659 3/1964 Andregg et al. 179/90 CS
3,514,549 5/1970 Askew 179/90 CS

Primary Examiner—Bernard Ansher
Attorney, Agent, or Firm—Gary M. Hoffman

[57] CLAIM

The ornamental design for an automatic telephone dialing unit, as shown.

DESCRIPTION

FIG. 1 is a front perspective view of an automatic telephone dialing unit.

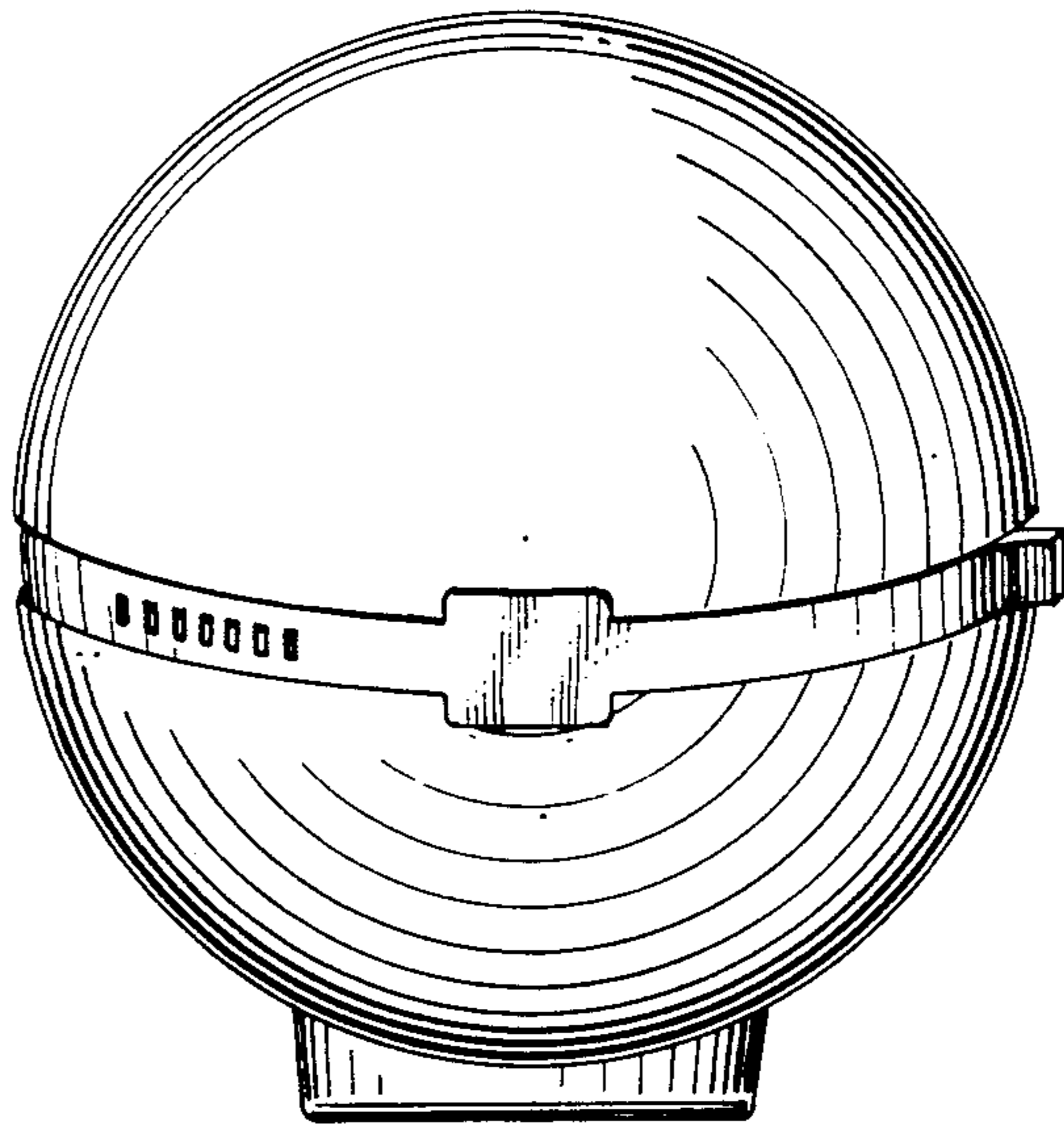
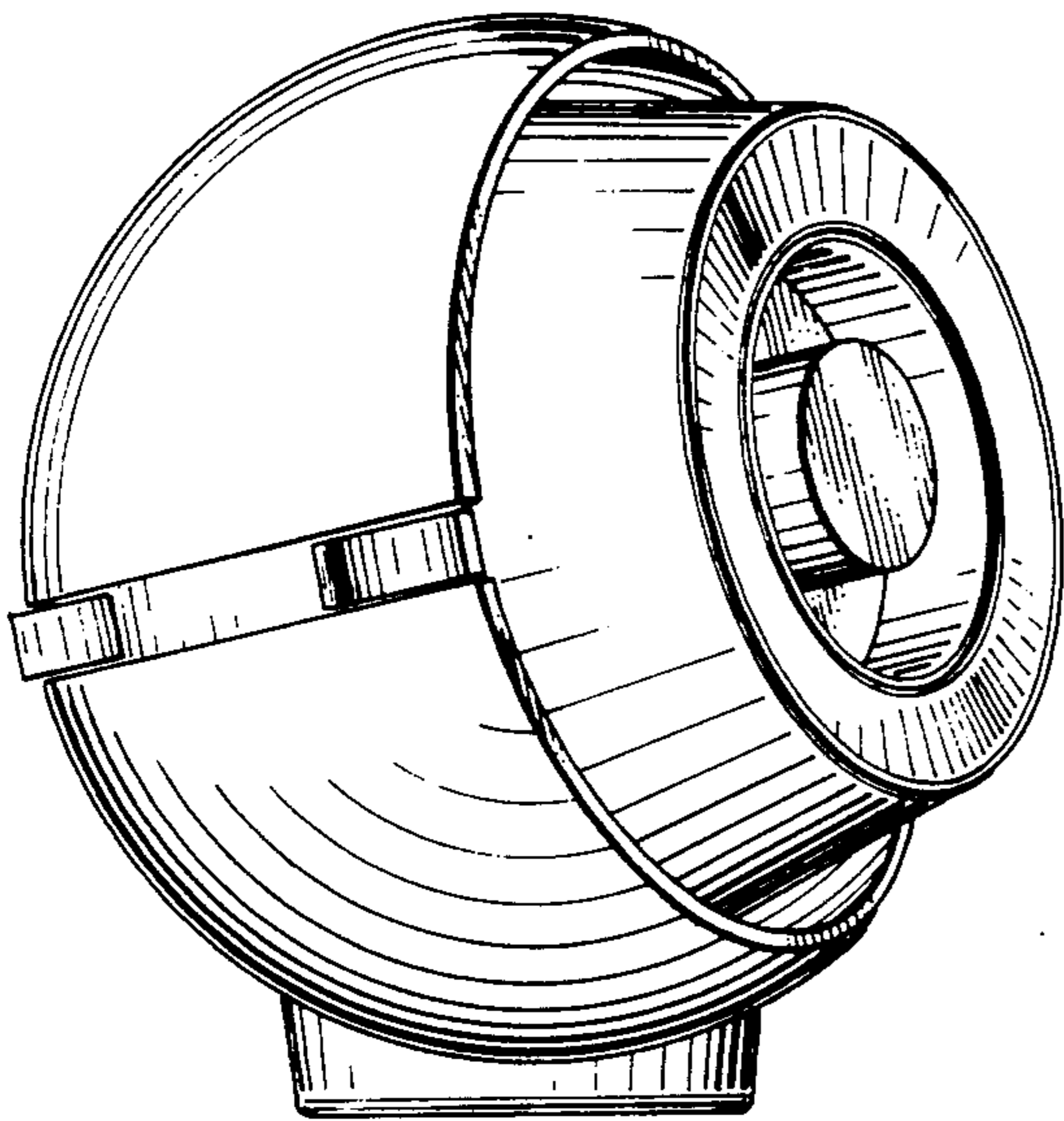
FIG. 2 is a front elevational view of the embodiment of FIG. 1.

FIG. 3 is a rear elevational view of the embodiment of FIG. 1.

FIG. 4 is a side elevational view of the embodiment of FIG. 1.

FIG. 5 is a top plan view of the embodiment of FIG. 1.

FIG. 6 is a bottom plan view of the embodiment of FIG. 1.



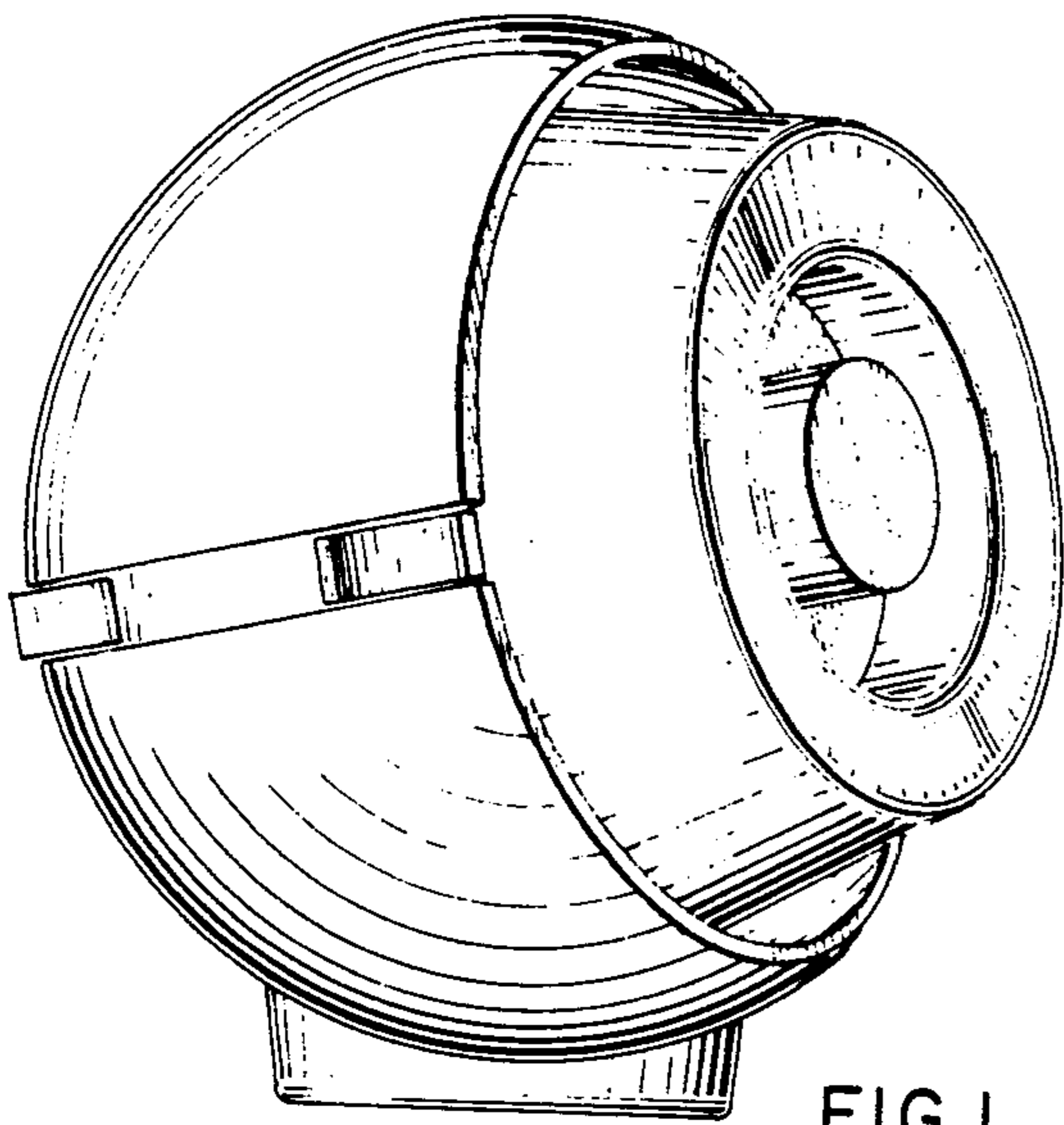


FIG. 1

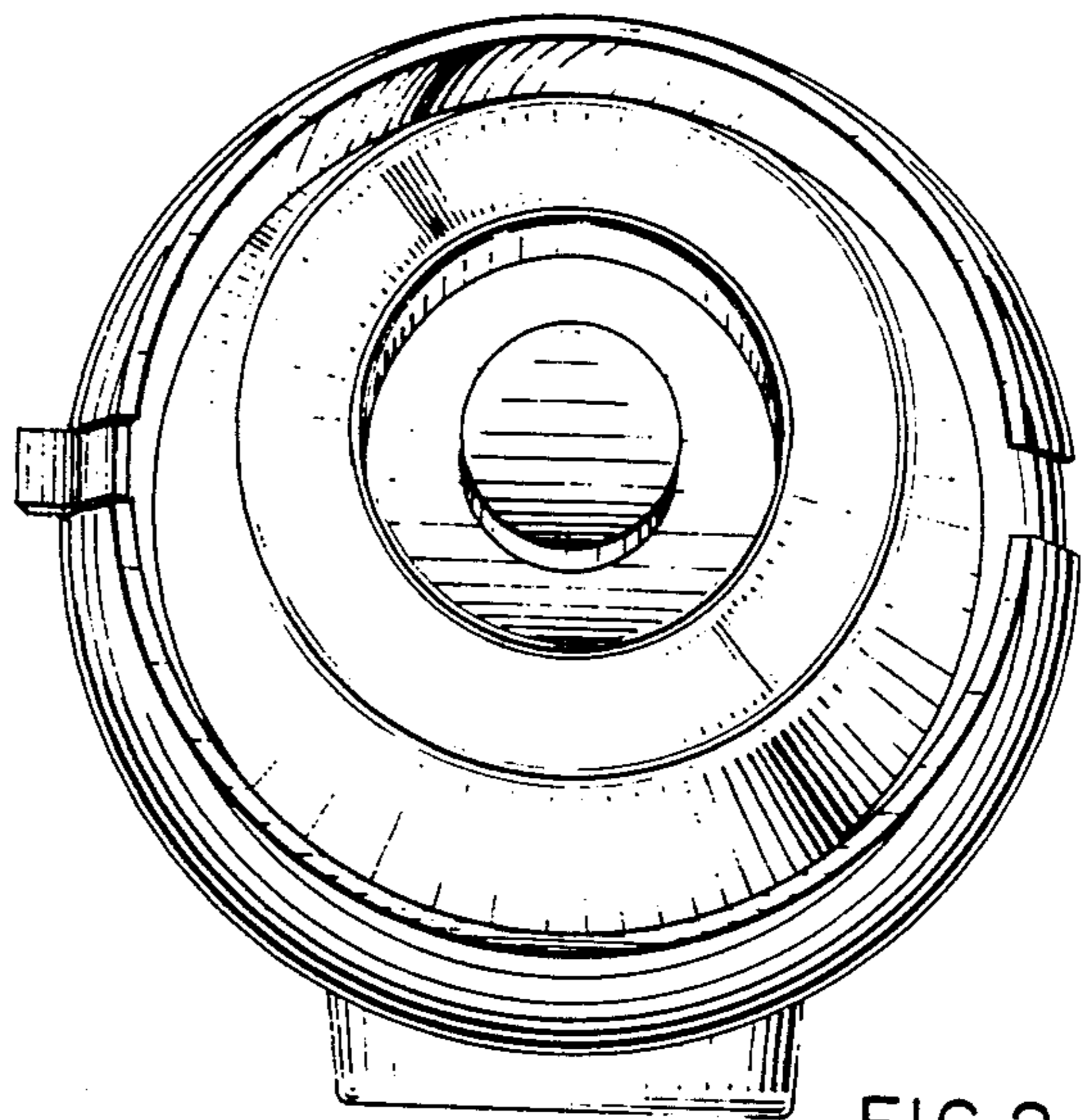


FIG. 2

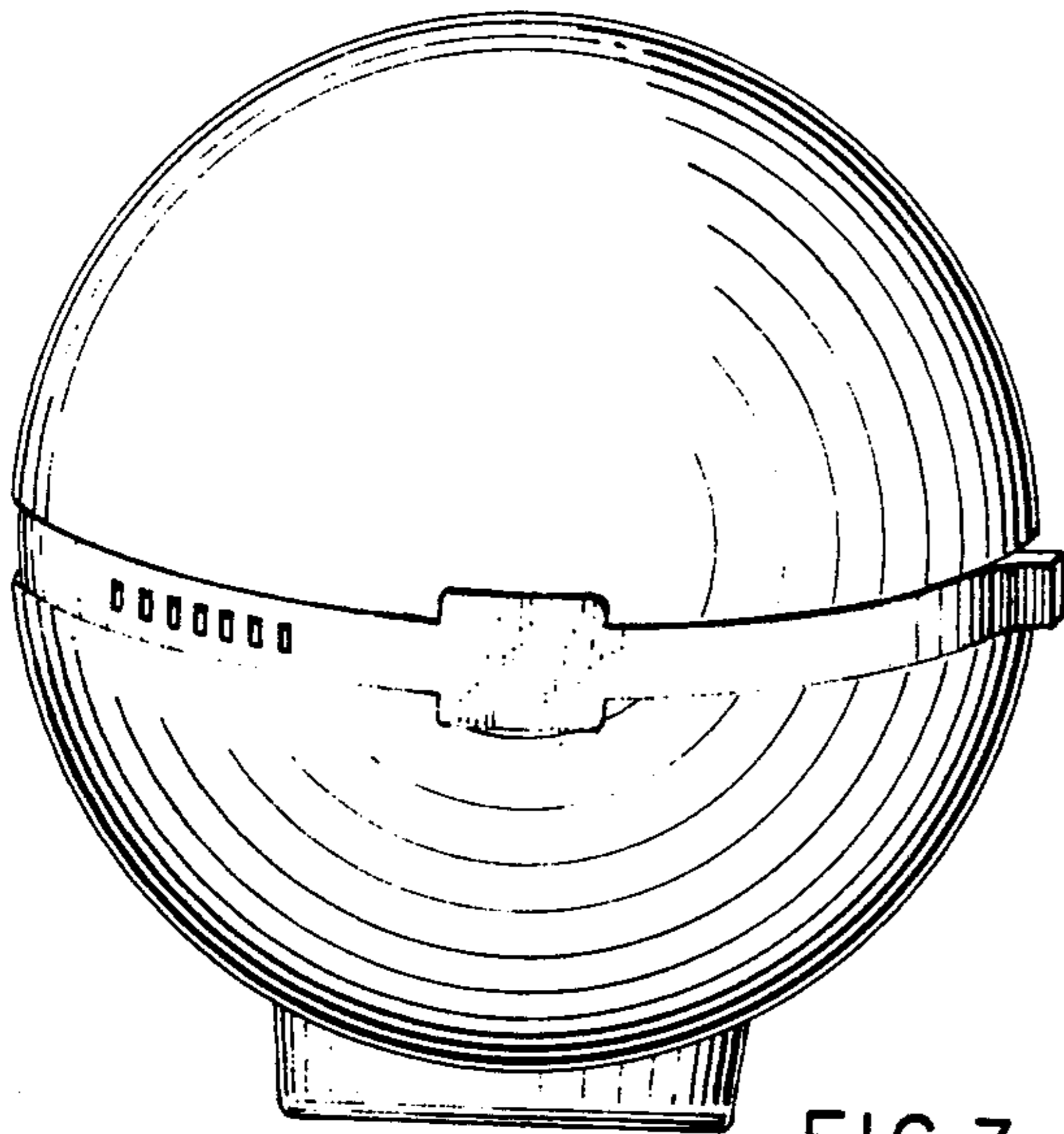


FIG. 3

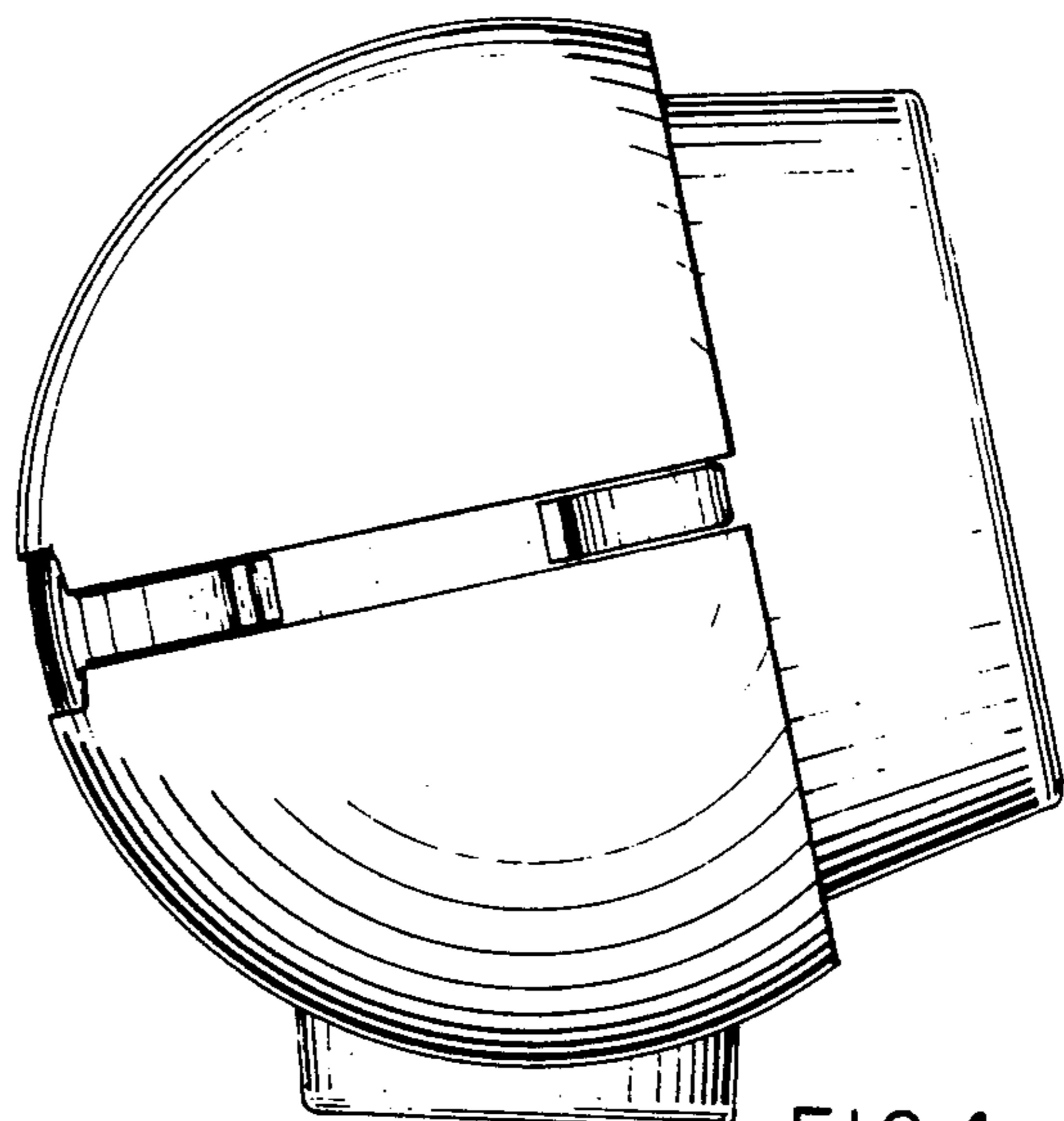


FIG. 4

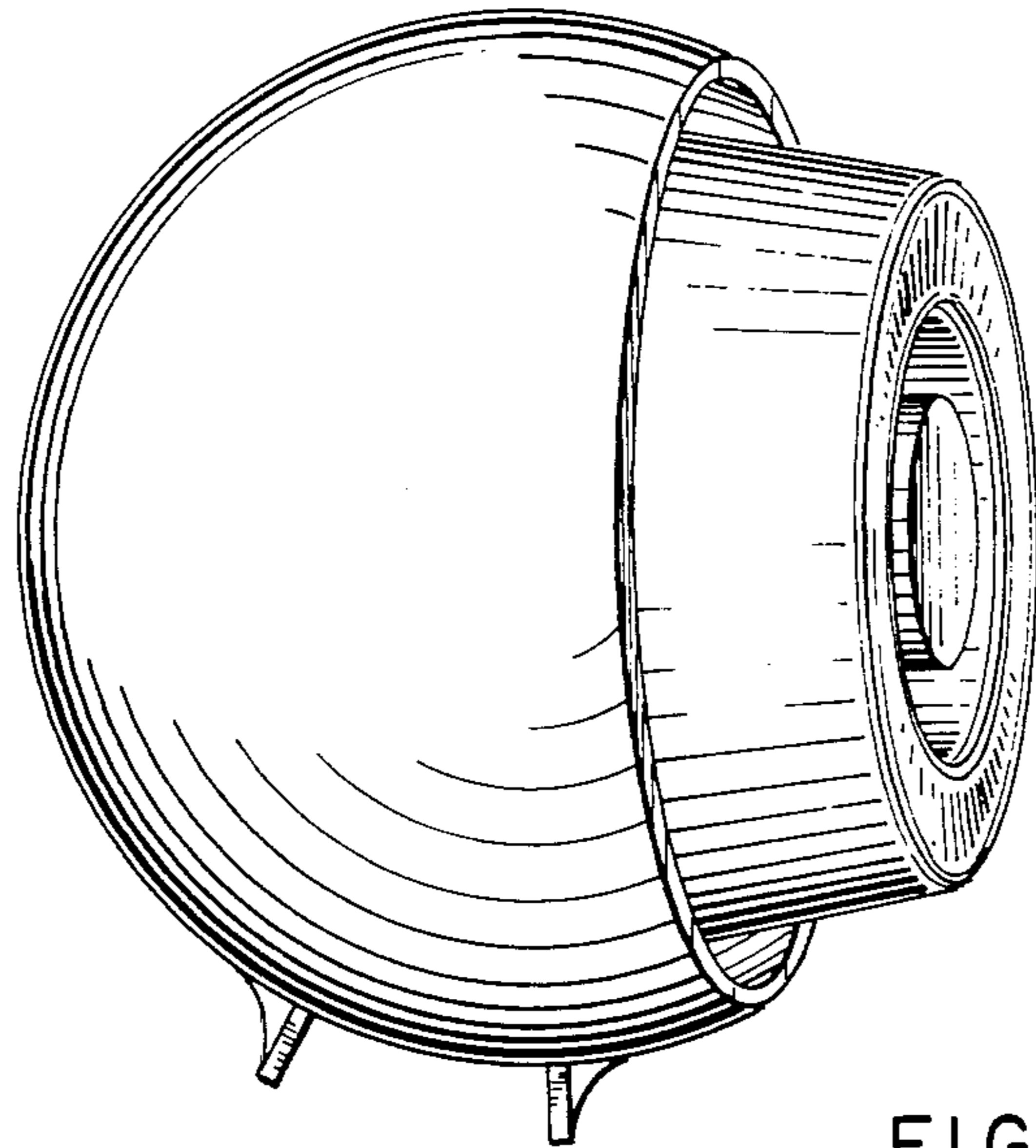


FIG. 5

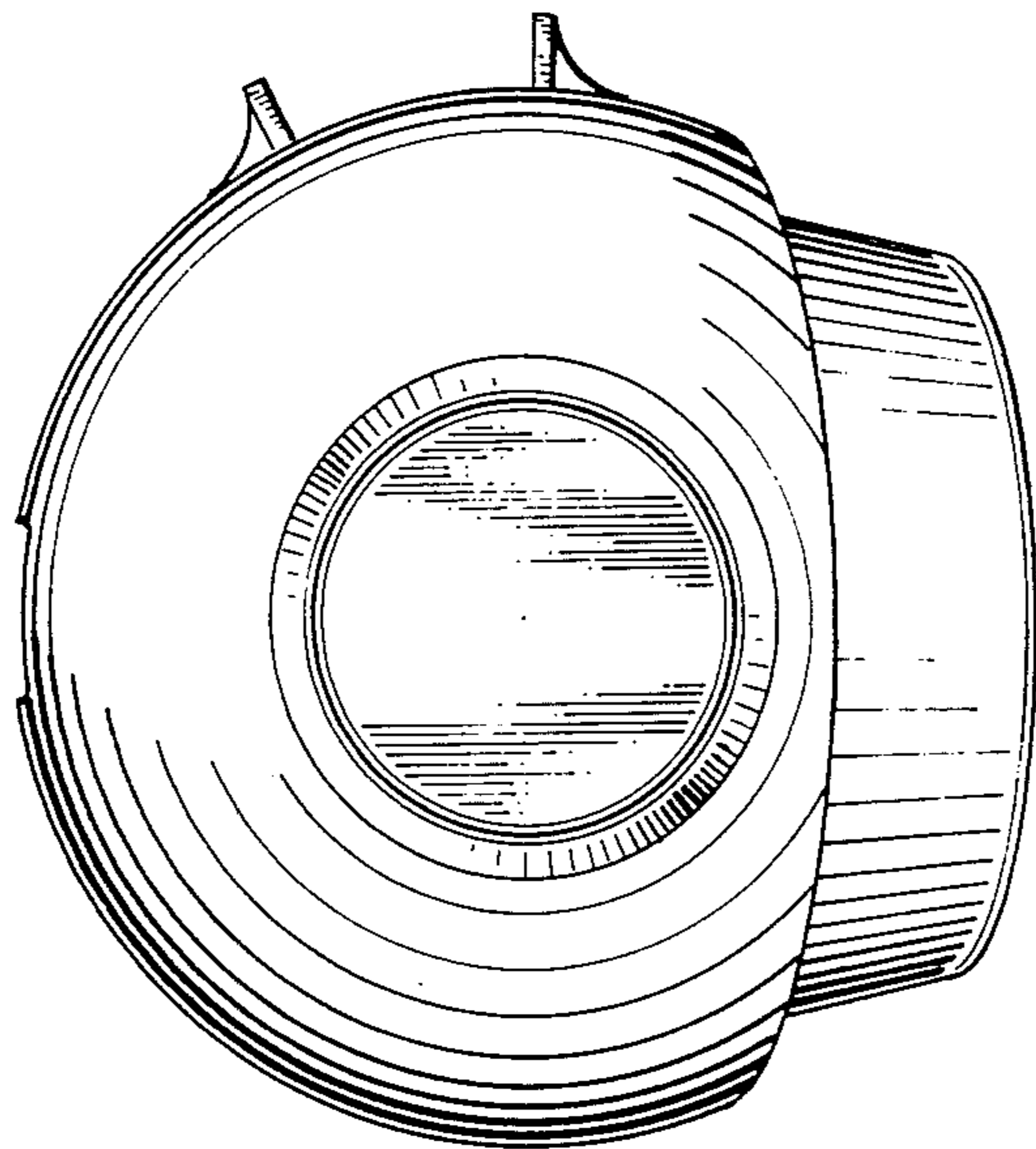


FIG. 6

UNITED STATES PATENT OFFICE
CERTIFICATE OF CORRECTION

PATENT NO. Des. 247,898
DATED May 16, 1977
INVENTOR(S) : Herman Plomp and Jan Hendrik Lucas

It is certified that error appears in the above-identified patent and that said Letters Patent are hereby corrected as shown below:

[30] Foreign Application Priority Data

April 8, 1976

Benelux.....7650981

Signed and Sealed this

Ninth Day of January 1979

[SEAL]

Attest:

RUTH C. MASON
Attesting Officer

DONALD W. BANNER
Commissioner of Patents and Trademarks