

[54] VEHICLE RUNNING BOARD

[76] Inventor: Merlyn C. Okland, 204 W. Broad St., Story City, Iowa 50248

[\*\*] Term: 14 Years

[21] Appl. No.: 675,154

[22] Filed: Apr. 8, 1976

[51] Int. Cl. .... D12-16

[52] U.S. Cl. .... D12/203

[58] Field of Search ..... D12/203, 169; 296/1 F; 280/163, 169

[56] References Cited

U.S. PATENT DOCUMENTS

D. 210,822 4/1968 Struben ..... D12/169  
3,357,719 12/1967 McCrea ..... 280/163

Primary Examiner—Susan J. Lucas

Assistant Examiner—James M. Gandy  
Attorney, Agent, or Firm—Donald H. Zarley

[57] CLAIM

The ornamental design for a vehicle running board, substantially as shown.

DESCRIPTION

FIG. 1 is a perspective view of a vehicle running board showing my new design in association with a vehicle which has been shown fragmentarily in broken lines for illustrative purposes only;

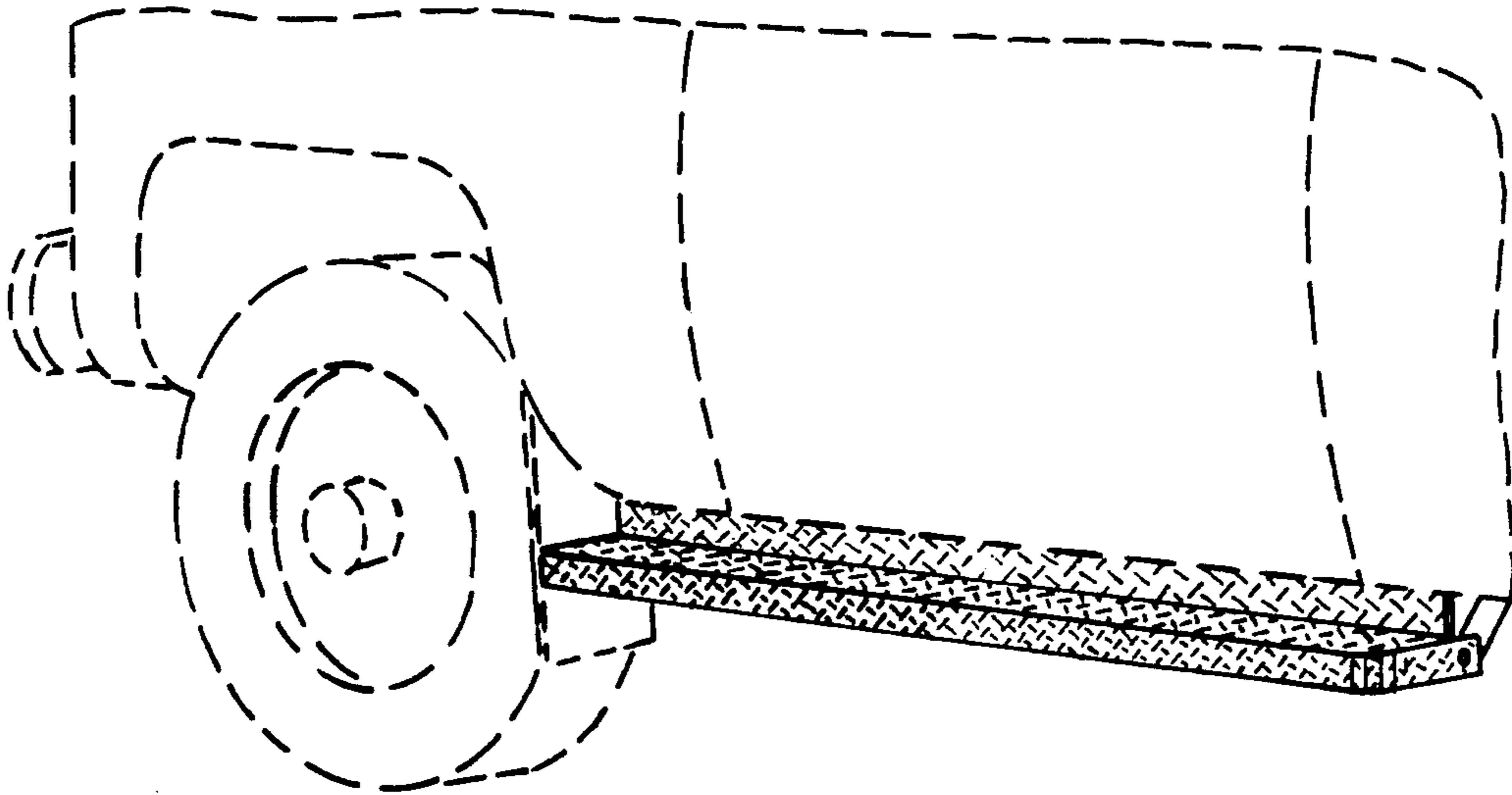
FIG. 2 is an enlarged top plan view thereof;

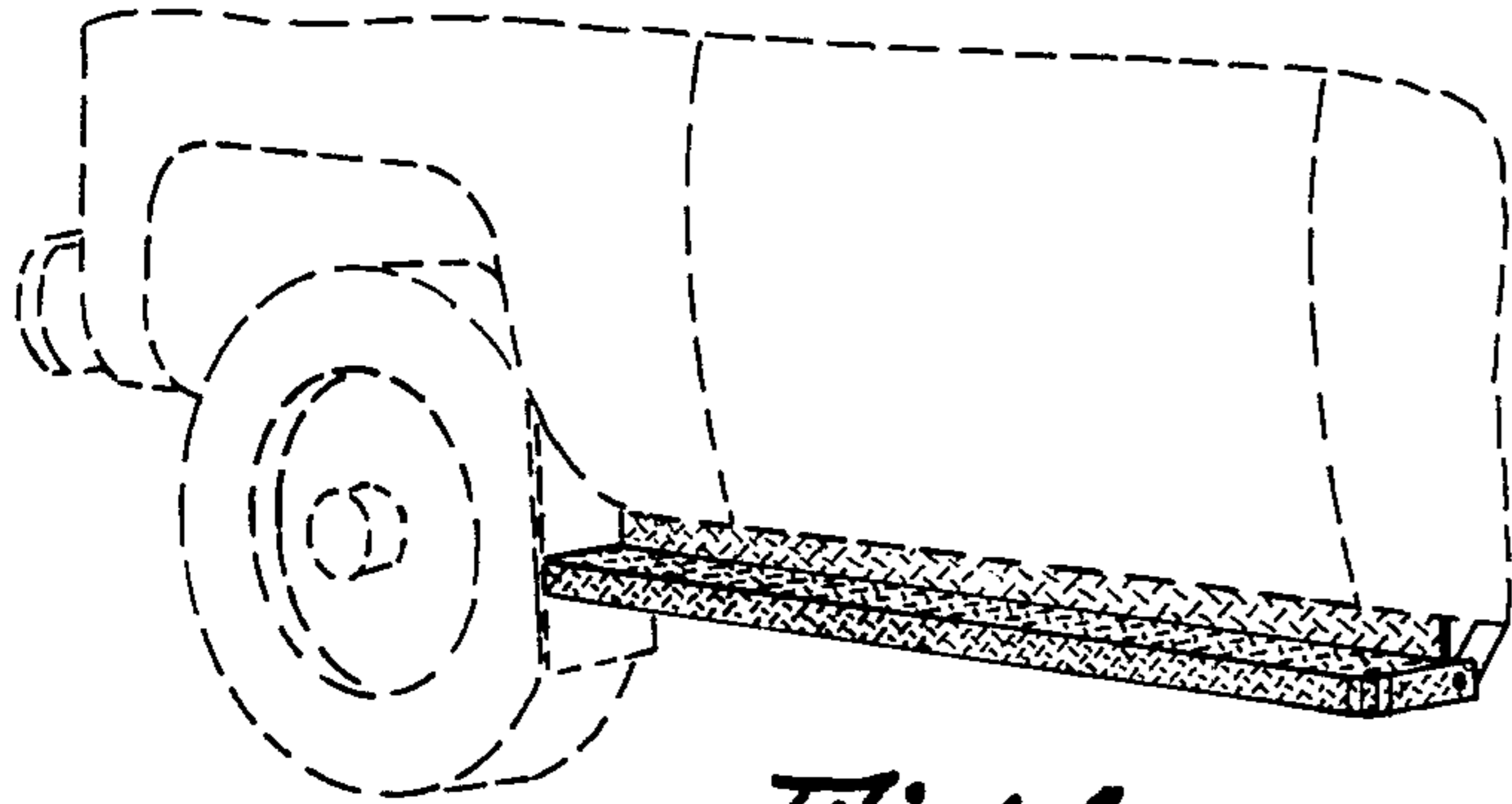
FIG. 3 is an enlarged front elevational view thereof;

FIG. 4 is an enlarged elevational view thereof taken along the left side in FIG. 2;

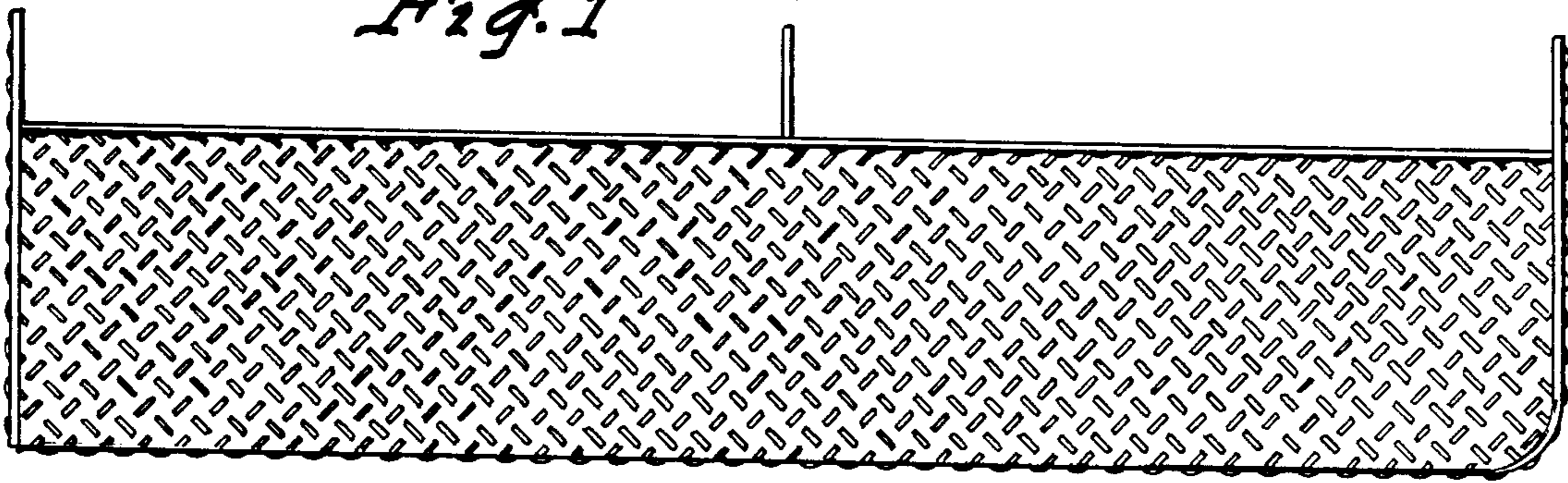
FIG. 5 is an enlarged elevational view thereof taken along the right side in FIG. 2;

FIG. 6 is an enlarged rear elevational view thereof; and  
FIG. 7 is an enlarged bottom plan view thereof.

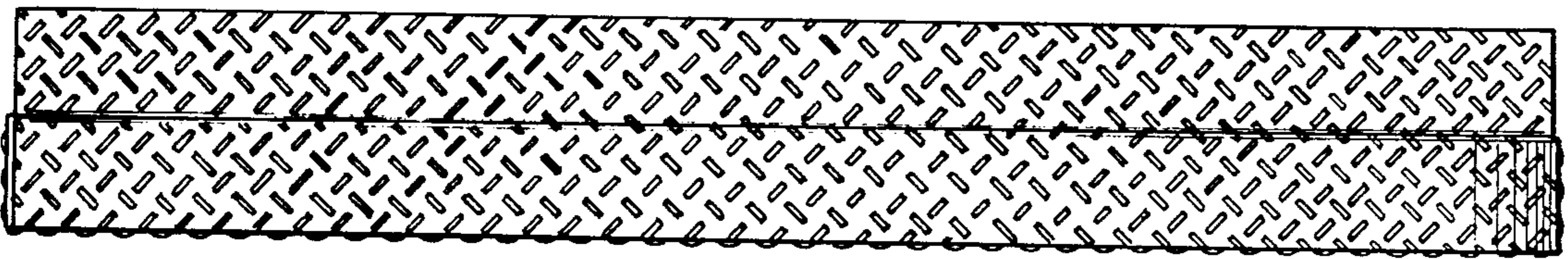




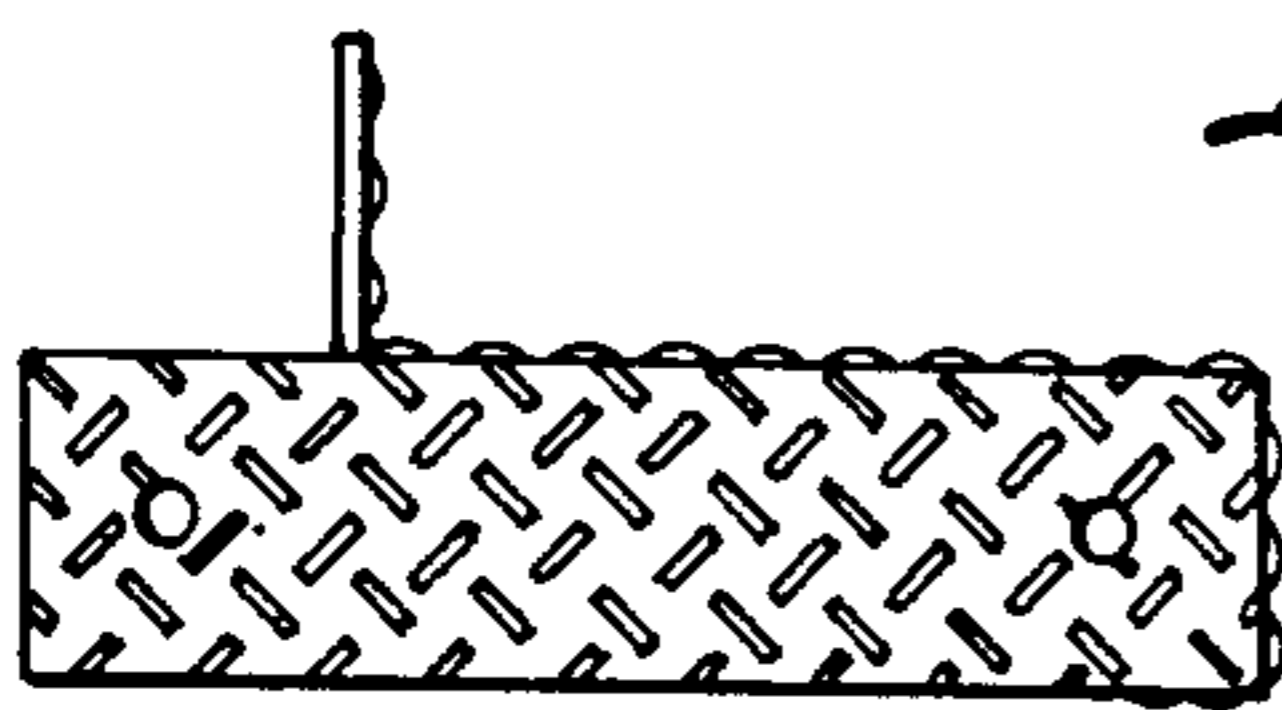
*Fig. 1*



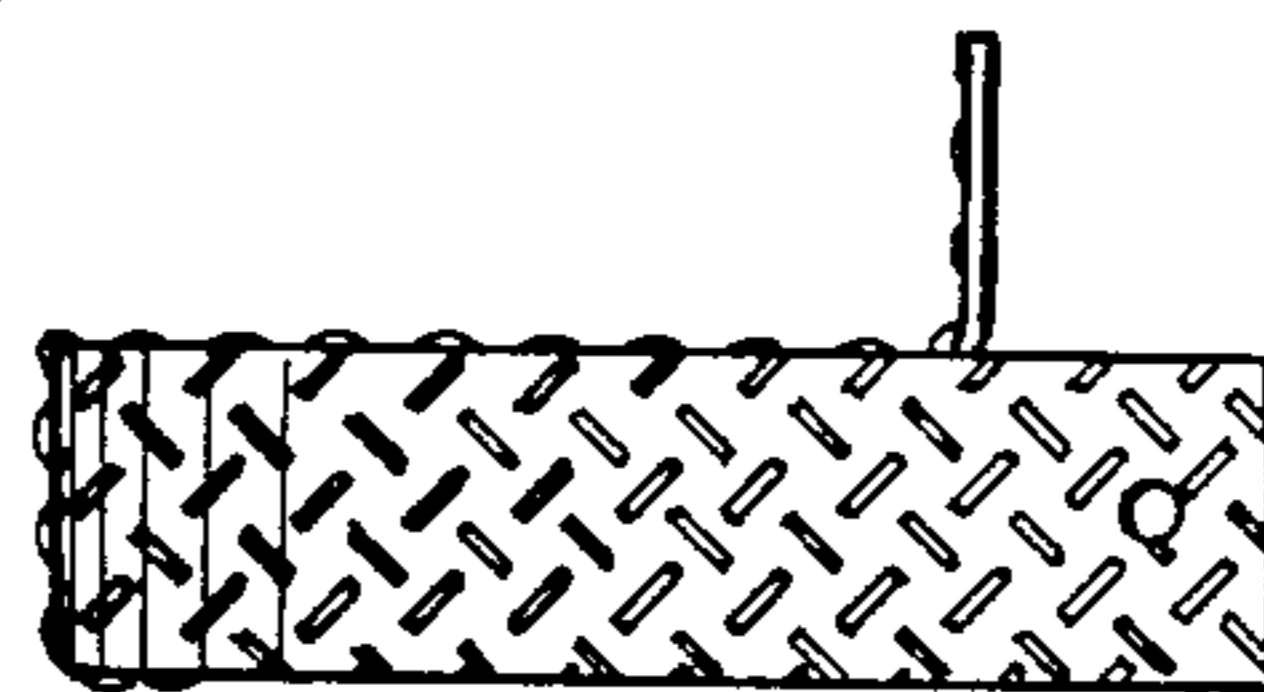
*Fig. 2*



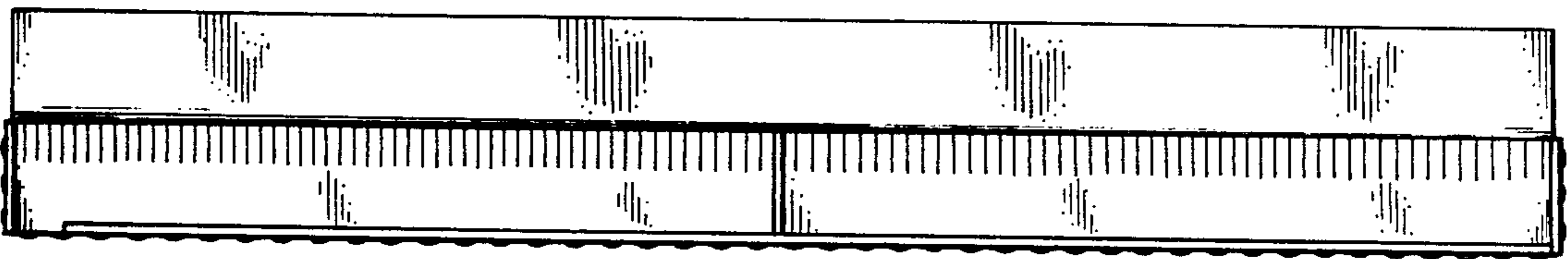
*Fig. 3*



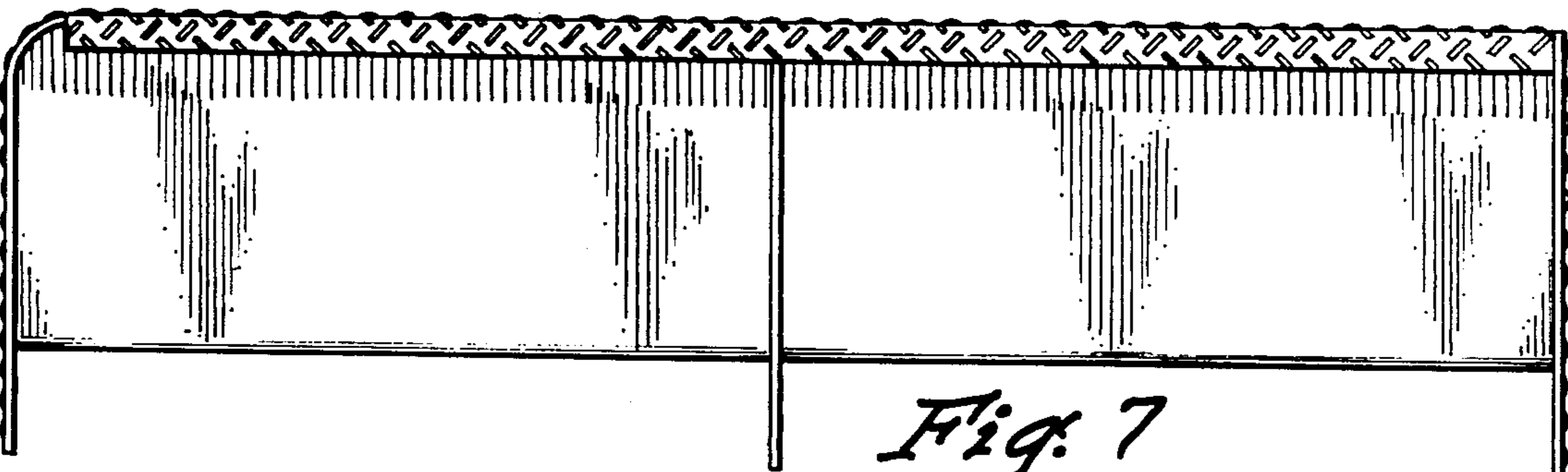
*Fig. 4*



*Fig. 5*



*Fig. 6*



*Fig. 7*