

[54] SEPARABLE CHARM

[76] Inventor: Doreen M. Hitchens, 3631 Deloach St., Pensacola, Fla. 32504

[**] Term: 14 Years

[21] Appl. No.: 710,531

[22] Filed: Aug. 2, 1976

[51] Int. Cl. D11-01

[52] U.S. Cl. D11/41

[58] Field of Search D11/1, 2, 7, 8, 41, D11/43-45, 48, 61, 69, 79, 81, 85, 97, 99, 116, 125; 63/1 R, 1 A, 2, 18-21, 23

[56] References Cited

U.S. PATENT DOCUMENTS

D. 46,850 1/1915 Gilbride D11/61 X
2,123,704 7/1938 Meissner 63/20 X

FOREIGN PATENT DOCUMENTS

261,098 9/1963 Australia 63/23

OTHER PUBLICATIONS

Charms by Danecraft, 1963-1964 Catalog, p. 23 — Hole in one bottom left.

Primary Examiner—Joel Stearman

Assistant Examiner—Louis S. Zarfes

Attorney, Agent, or Firm—Joseph A. DeGrandi

[57] CLAIM

The ornamental design for a separable charm, as shown and described.

DESCRIPTION

FIG. 1 is a front perspective view of a separable charm showing my new design.

FIG. 2 is a rear elevational view thereof.

FIG. 3 is an exploded rear perspective view thereof.

FIG. 4 is an exploded front elevational view thereof with connectors omitted for ease of illustration.

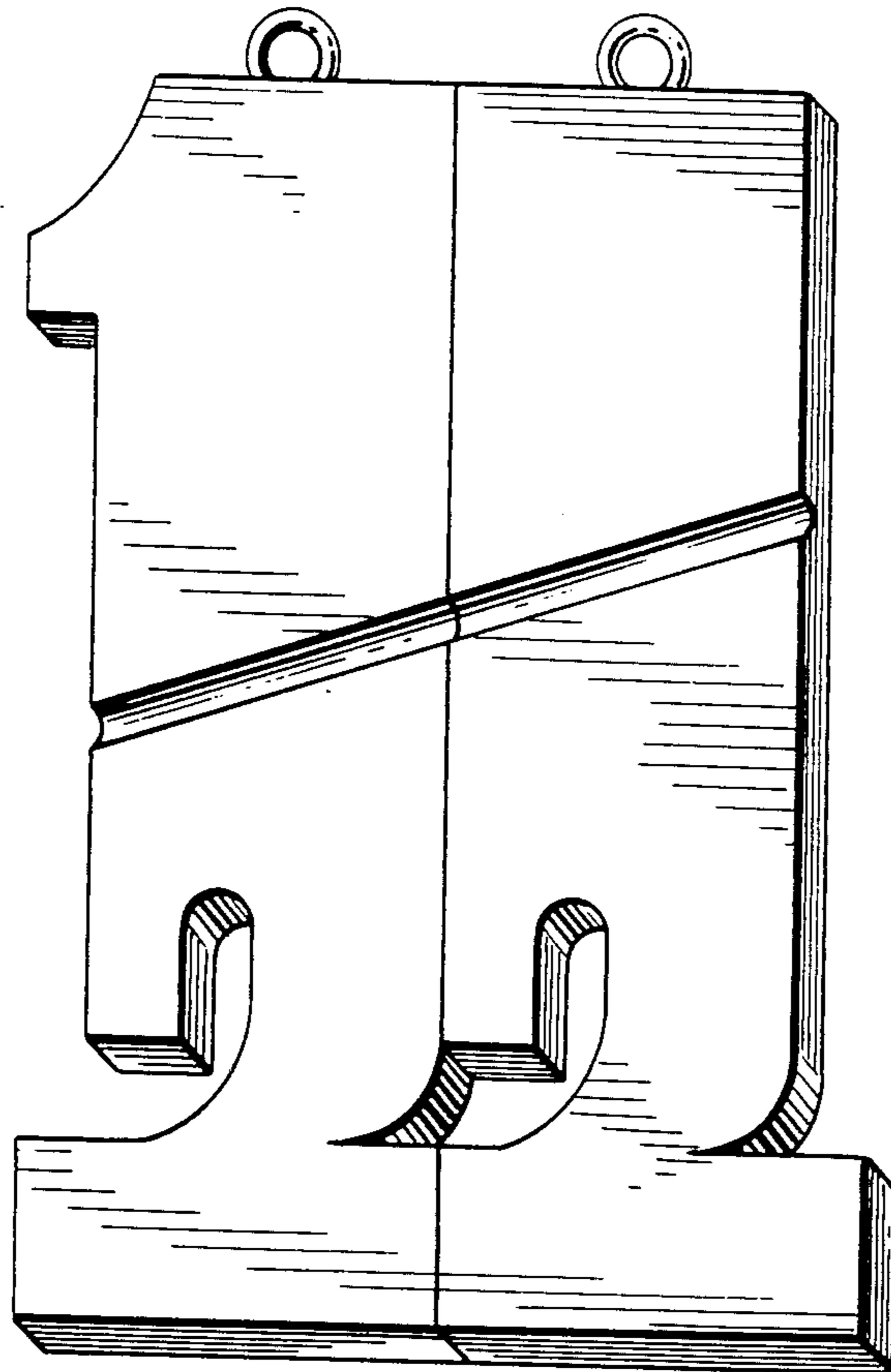


FIG. 1

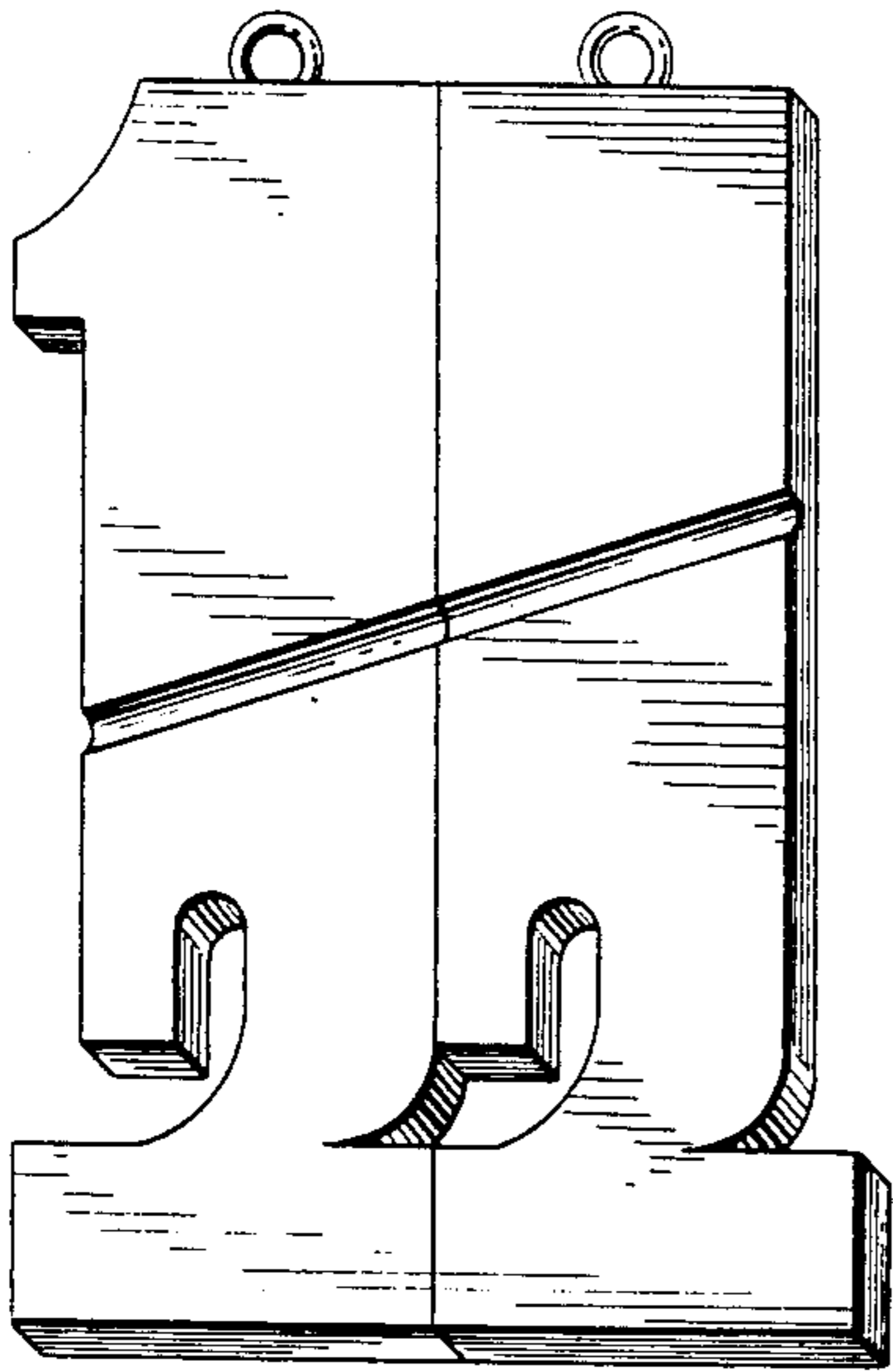


FIG. 3

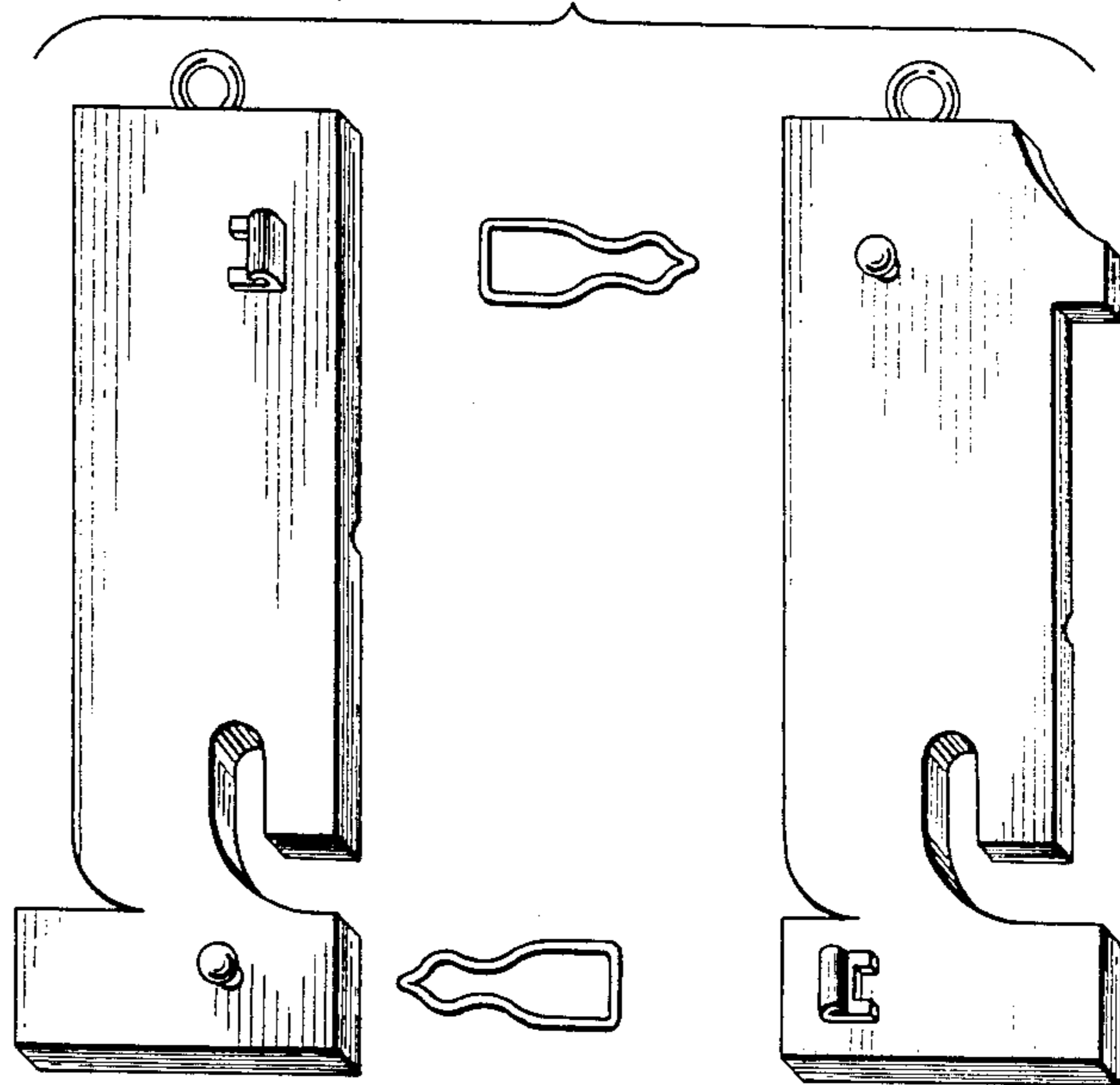


FIG. 2

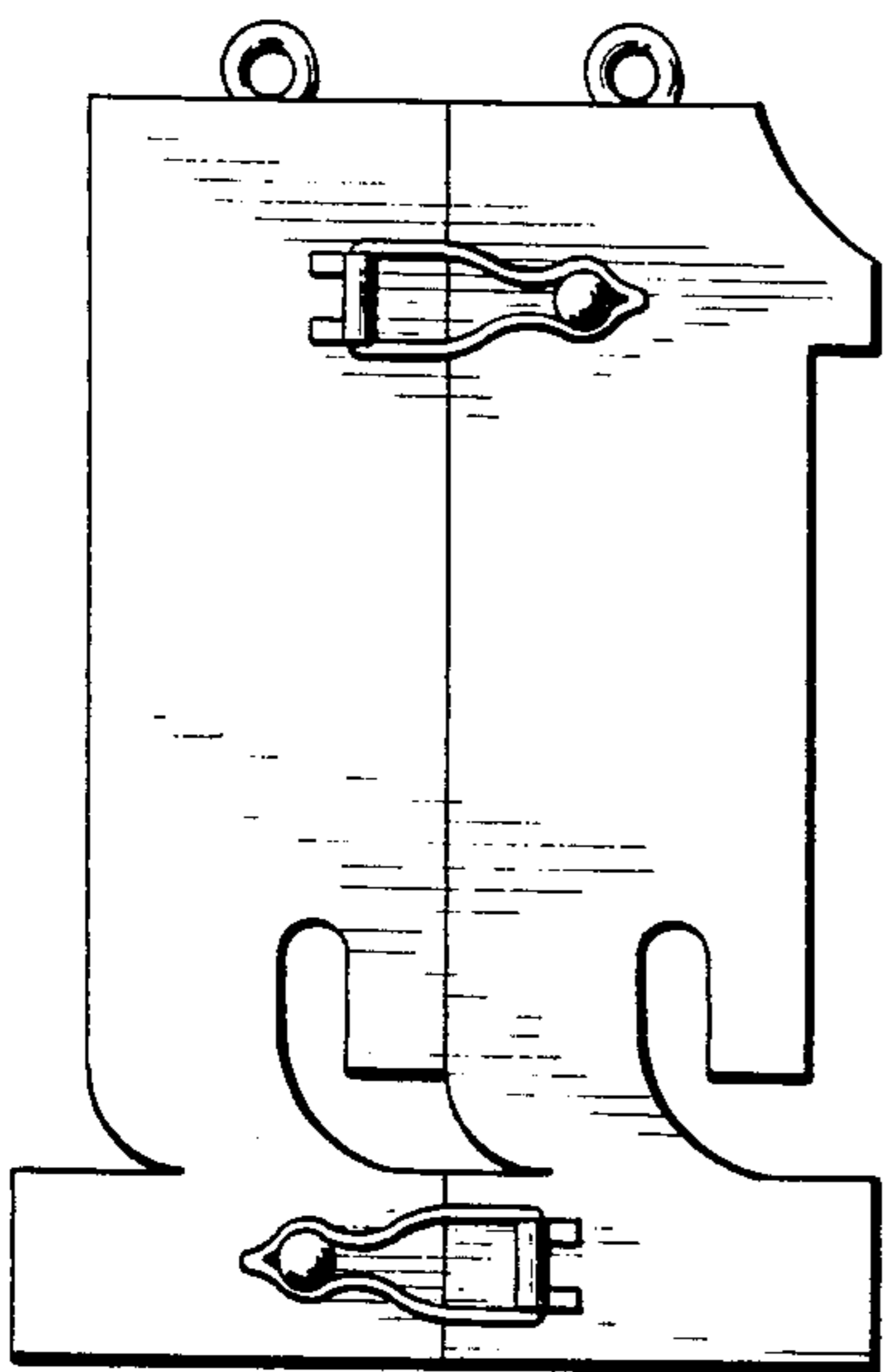


FIG. 4

