

[54] SQUARE

640,510 1/1900 Vandevort 33/112
1,369,038 2/1921 Maconnell 33/112

[75] Inventor: Siebolt Hettinga, Des Moines, Iowa

[73] Assignee: Foam Molding Corporation of Iowa,
Des Moines, Iowa

[**] Term: 14 Years

[21] Appl. No.: 720,958

[22] Filed: Sep. 7, 1976

[51] Int. Cl. D10-04

[52] U.S. Cl. D10/62

[58] Field of Search D10/62, 65; 33/96, 112

[56] References Cited

U.S. PATENT DOCUMENTS

91,892 7/1969 Winterbottom 33/96
413,946 10/1889 Iseminger 33/96

OTHER PUBLICATIONS

Simmons Hardware Co. Cat. 1890, p. 320, square at lower left #C 1392.

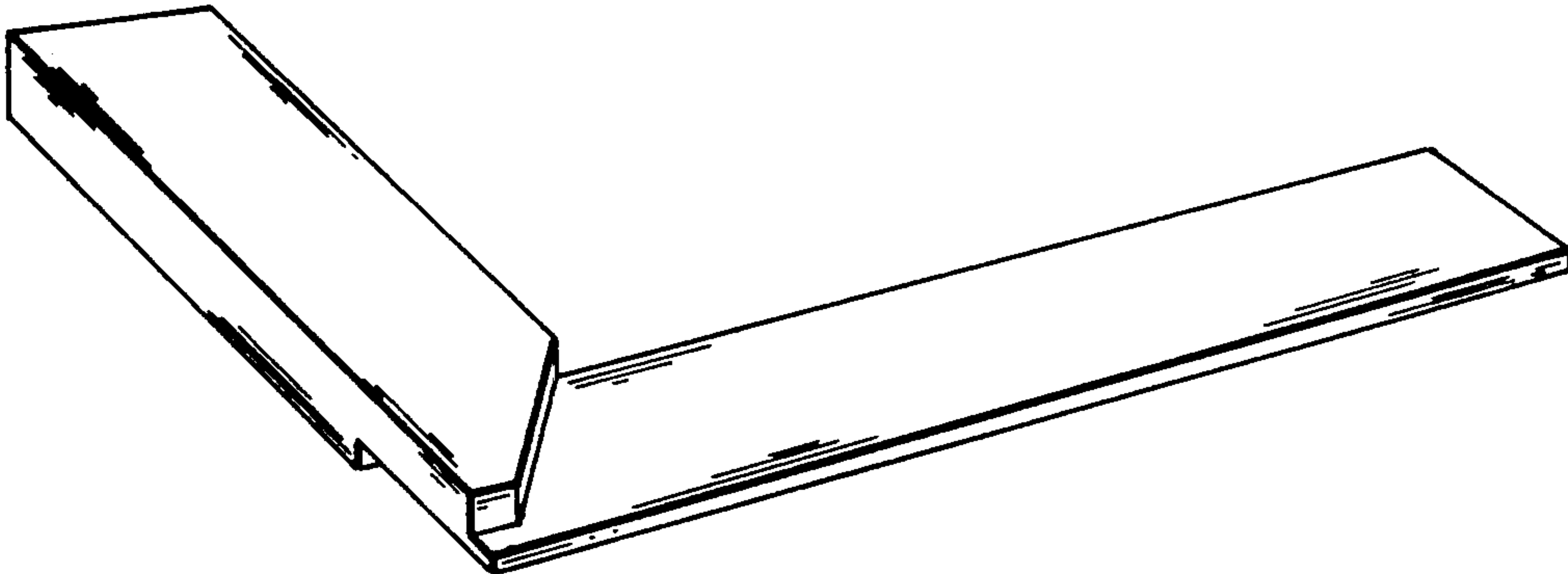
Primary Examiner—Nelson C. Holtje
Attorney, Agent, or Firm—Rudolph L. Lowell

[57] CLAIM

The ornamental design for a square, substantially as shown.

DESCRIPTION

FIG. 1 is a top perspective view of a square showing my new design;
FIG. 2 is a bottom perspective view thereof;
FIG. 3 is a top plan view thereof on a reduced scale;
FIG. 4 is a bottom plan view thereof on a reduced scale.



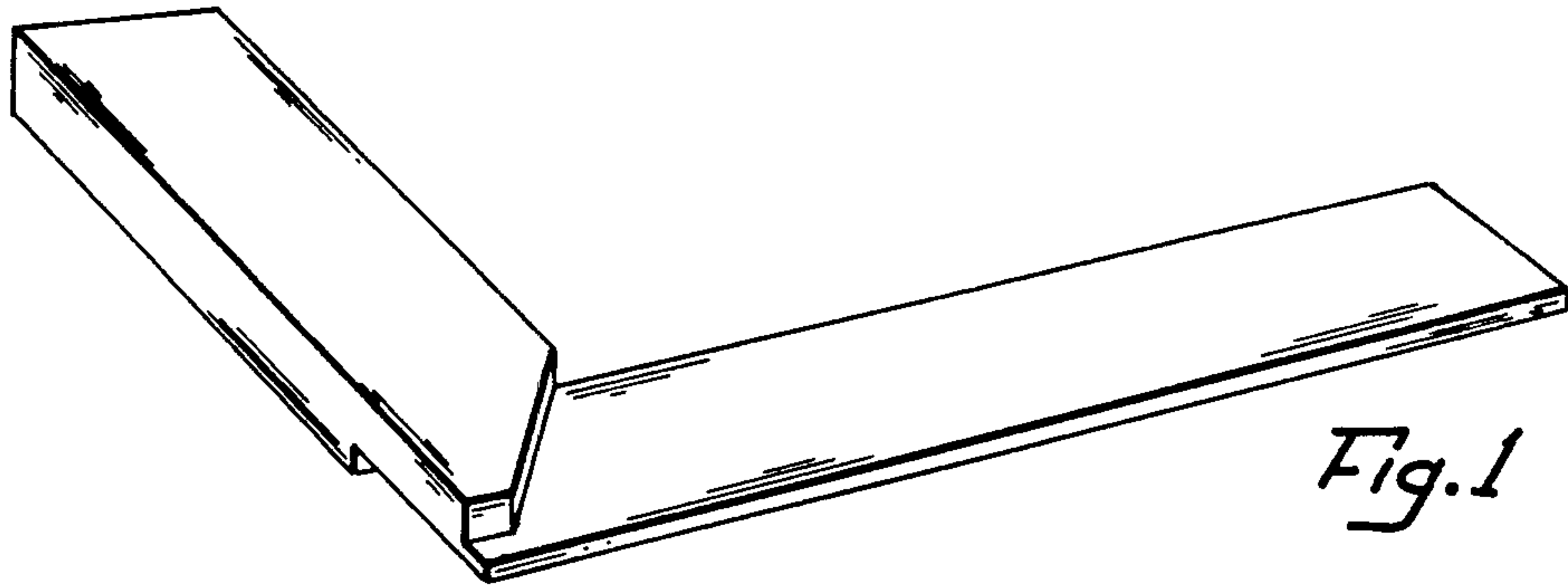


Fig. 1

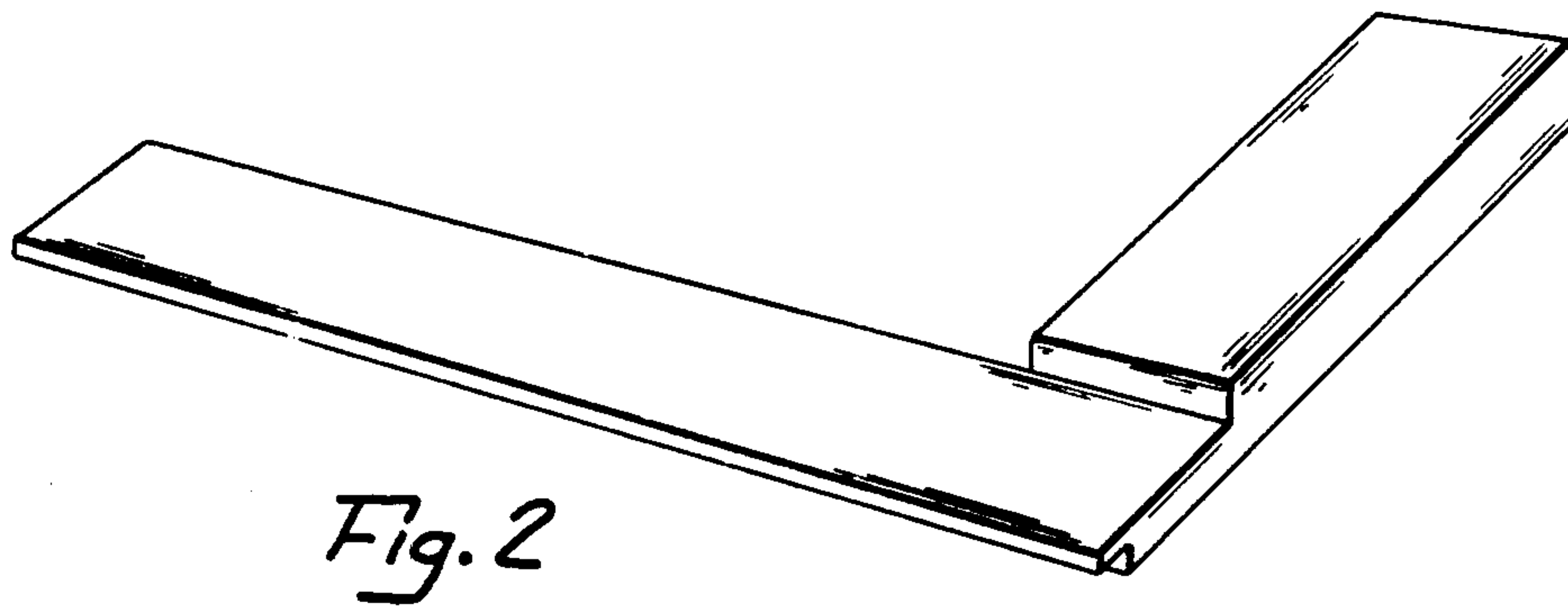


Fig. 2

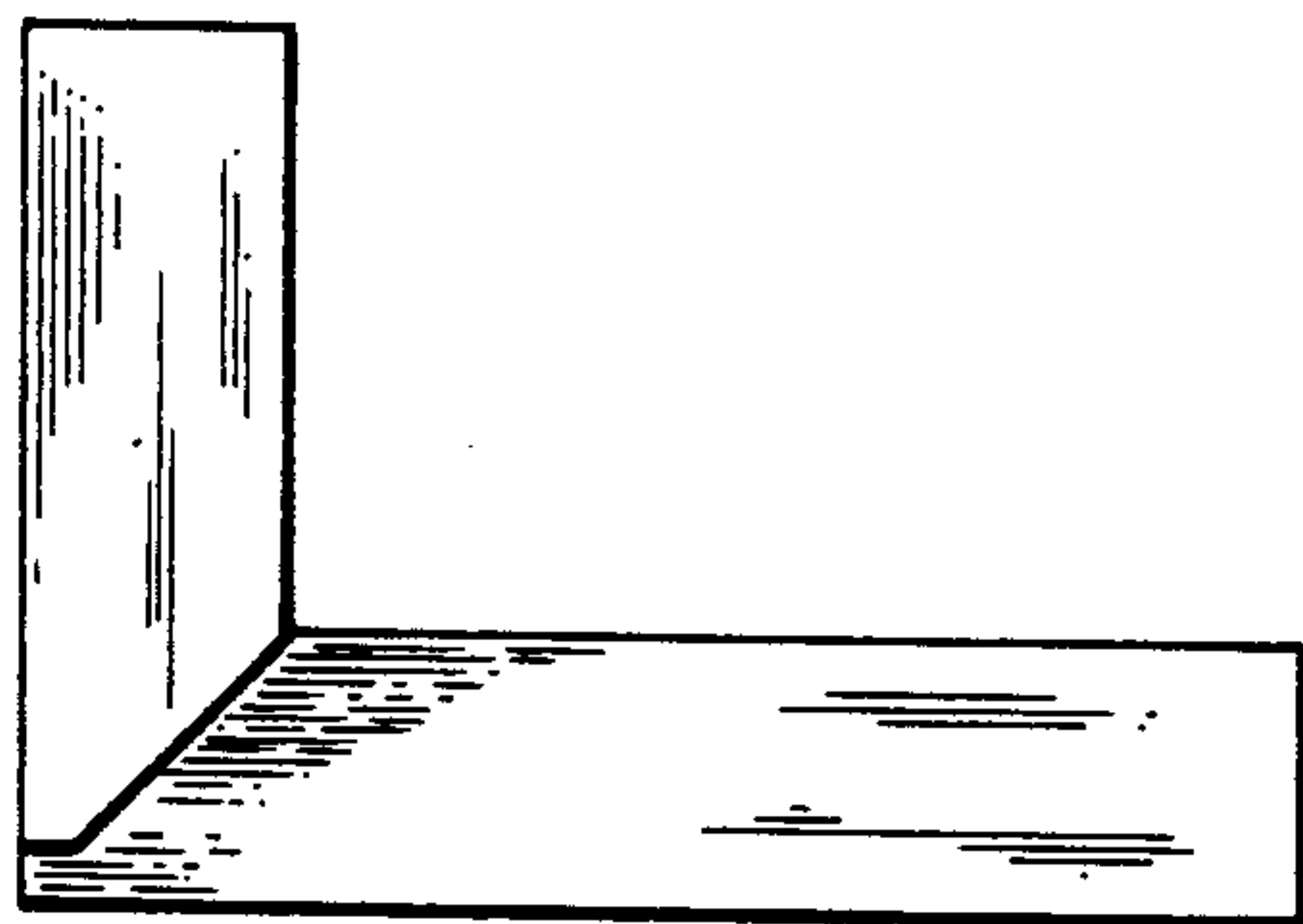


Fig. 3

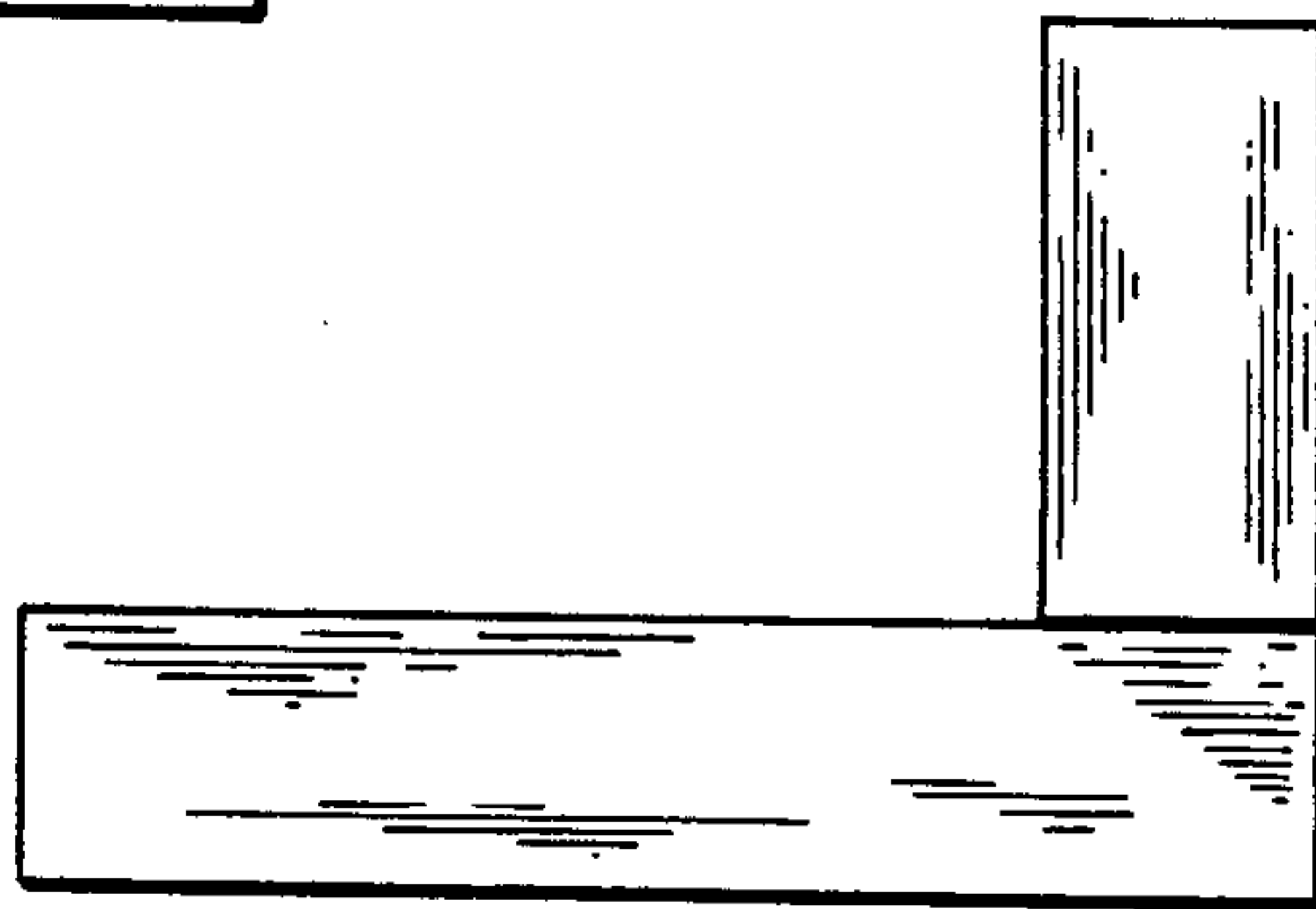


Fig. 4