

[54] CAM FOR A FASTENING MECHANISM FOR CONTAINER DOORS

[75] Inventors: Leslie Ralph Shaw, Wednesbury; Barry Stanley Morris, Bloxwich, both of England

[73] Assignee: The Bloxwich Lock and Stamping Company Limited, Walsall, England

[**] Term: 14 Years

[21] Appl. No.: 675,829

[22] Filed: Apr. 12, 1976

[51] Int. Cl. D8-07

[52] U.S. Cl. D8/343

[58] Field of Search D8/331, 339, 343; 292/202, 240, 241, 340, 341.12, DIG. 32

[56]

References Cited

U.S. PATENT DOCUMENTS

3,329,456 7/1967 Olander 292/340
3,664,695 5/1972 Sickel 292/DIG. 32

Primary Examiner—Wallace R. Burke

Assistant Examiner—James M. Gandy

[57]

CLAIM

The ornamental design for a cam for a fastening mechanism for container doors, as shown.

DESCRIPTION

FIG. 1 is a side elevation view of a cam for a fastening mechanism for container doors showing our new design,

FIG. 2 is a side elevation view thereof opposite to that shown in FIG. 1;

FIG. 3 is a top plan view thereof;

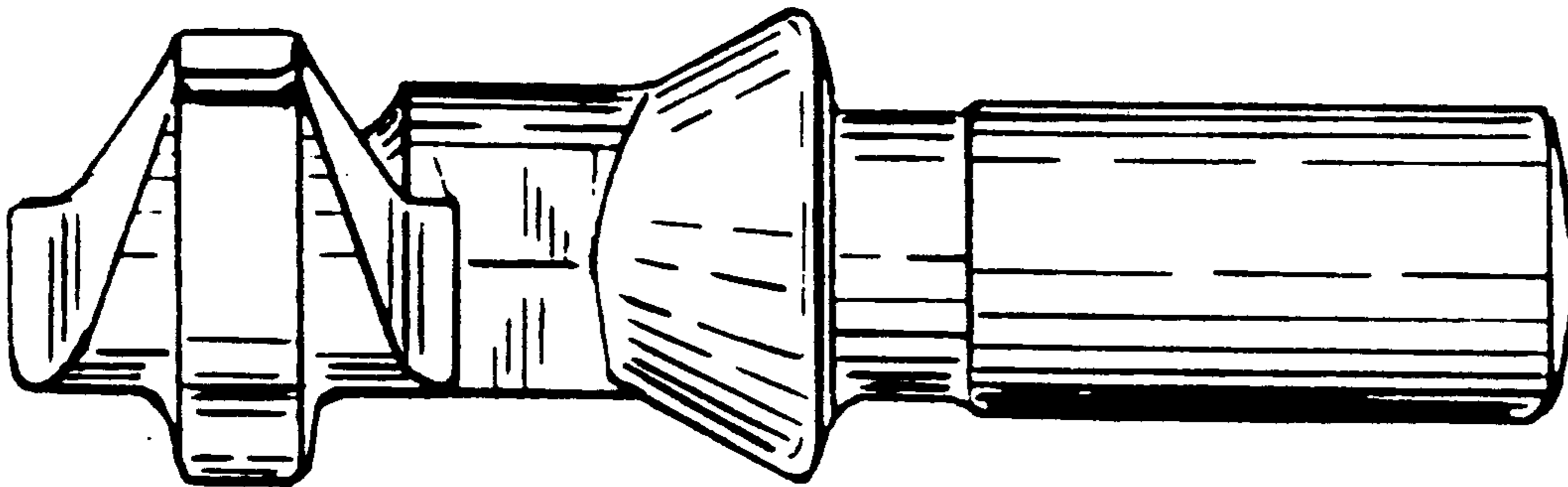
FIG. 4 is a bottom plan view thereof;

FIG. 5 is an end elevation view thereof;

FIG. 6 is an end elevation view thereof opposite to that shown in FIG. 5;

FIG. 7 is a top perspective view thereof; and

FIG. 8 is a bottom perspective view thereof.



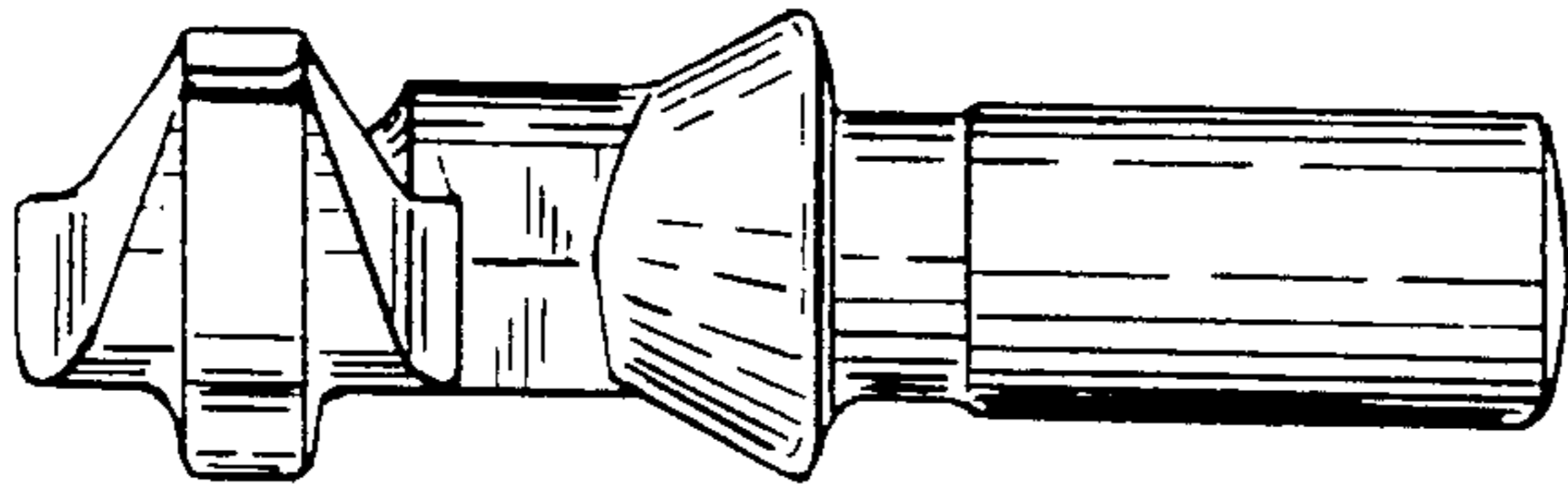


FIG.1.

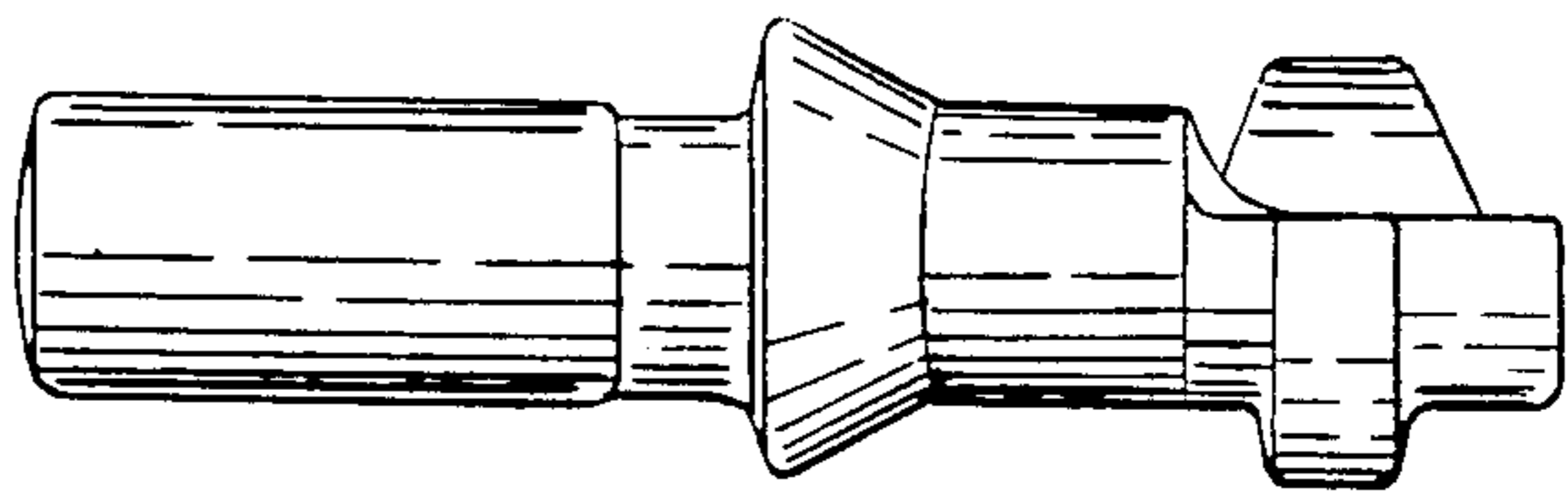


FIG.2.

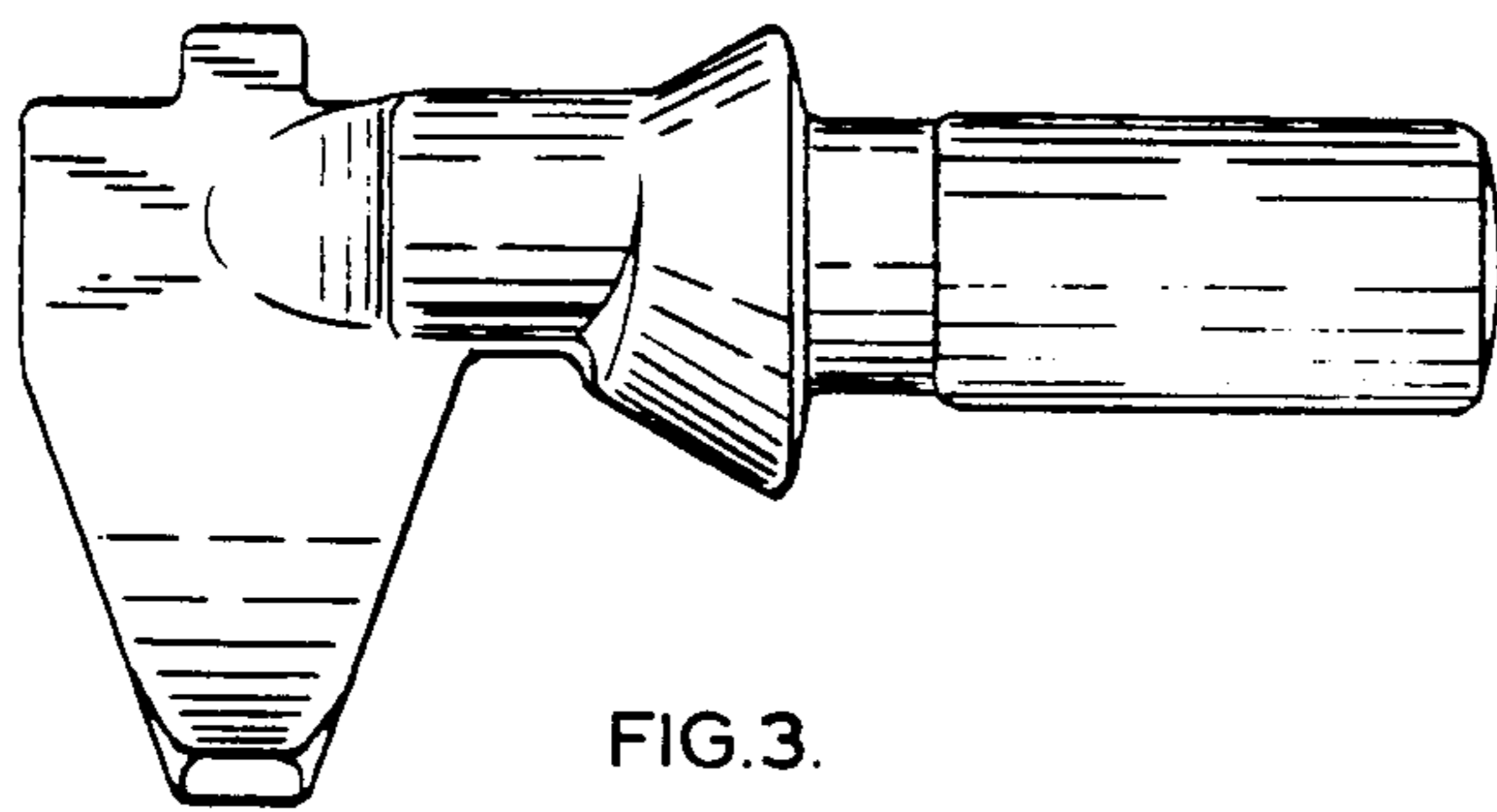


FIG.3.

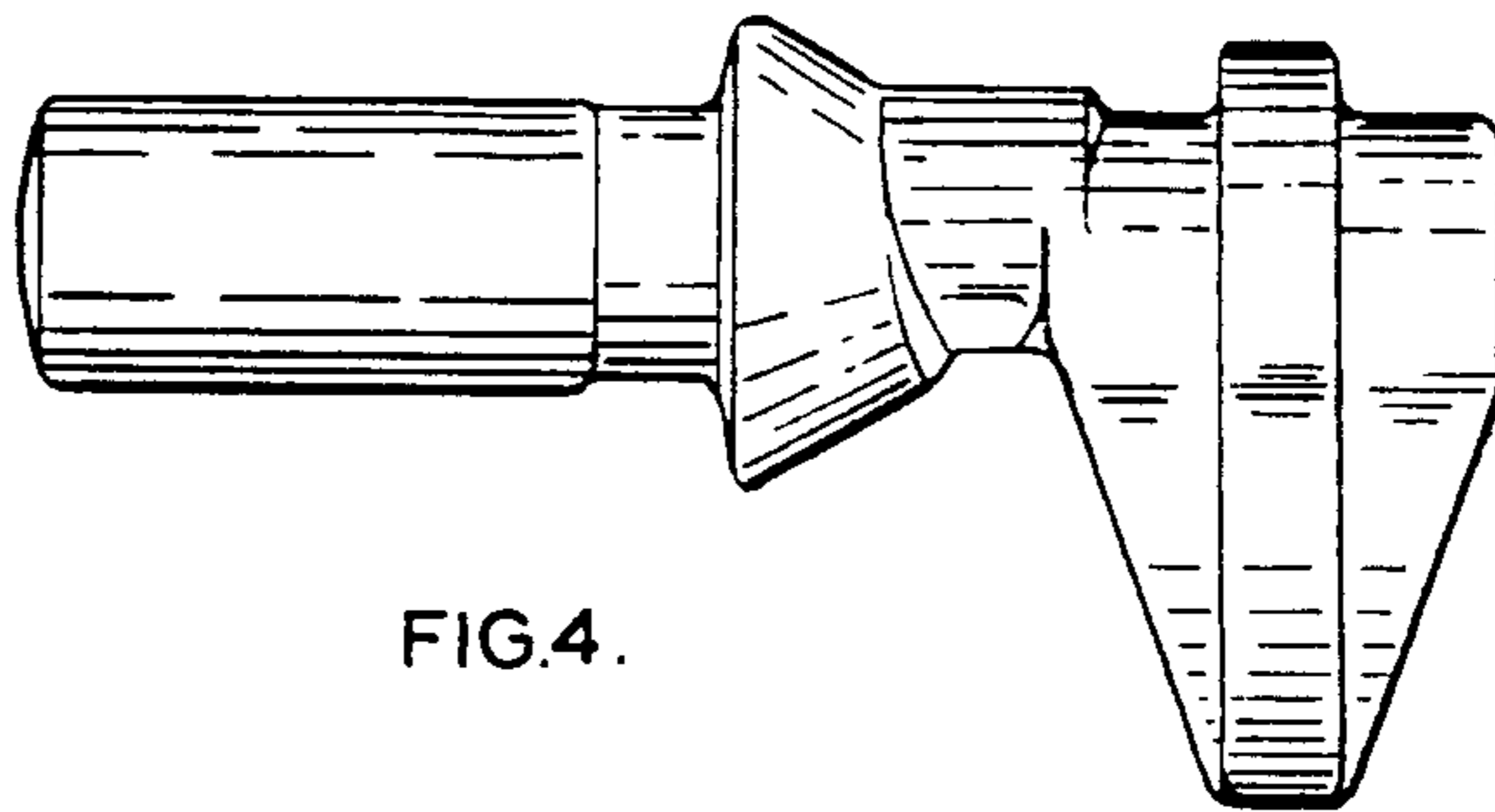


FIG.4.

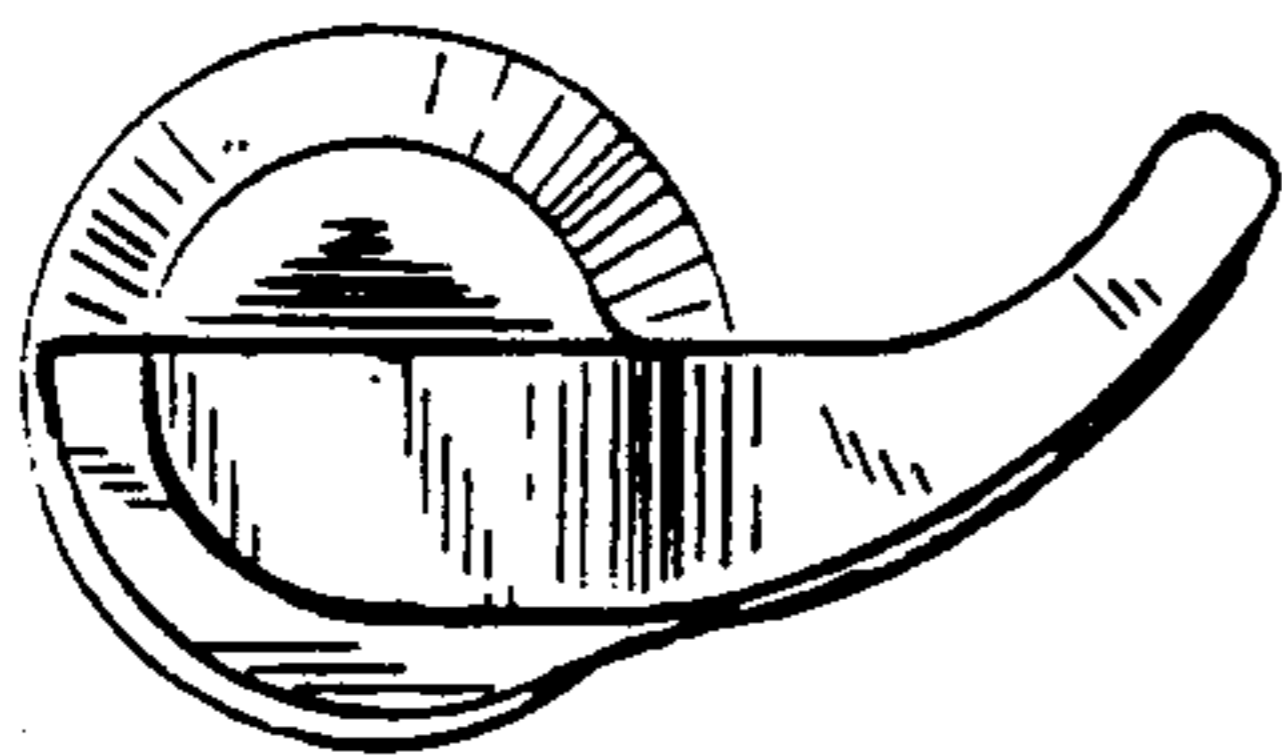


FIG.5.

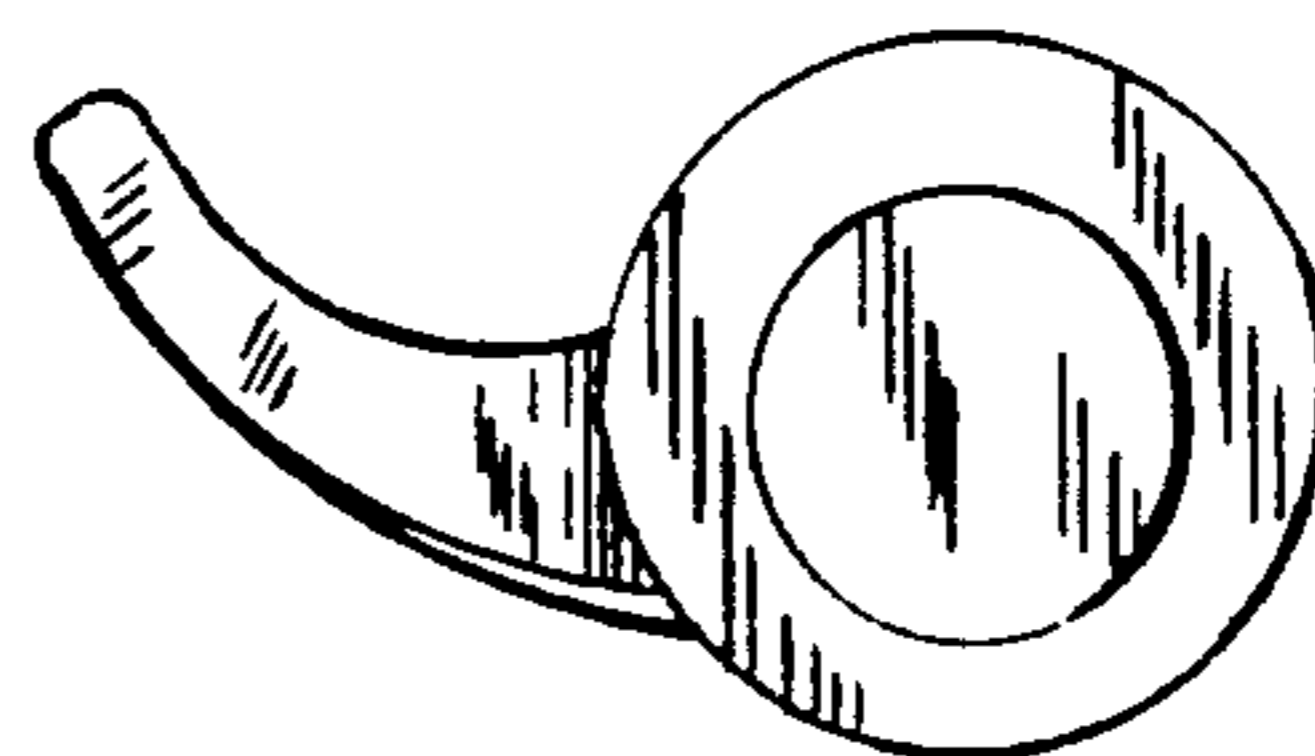


FIG.6.

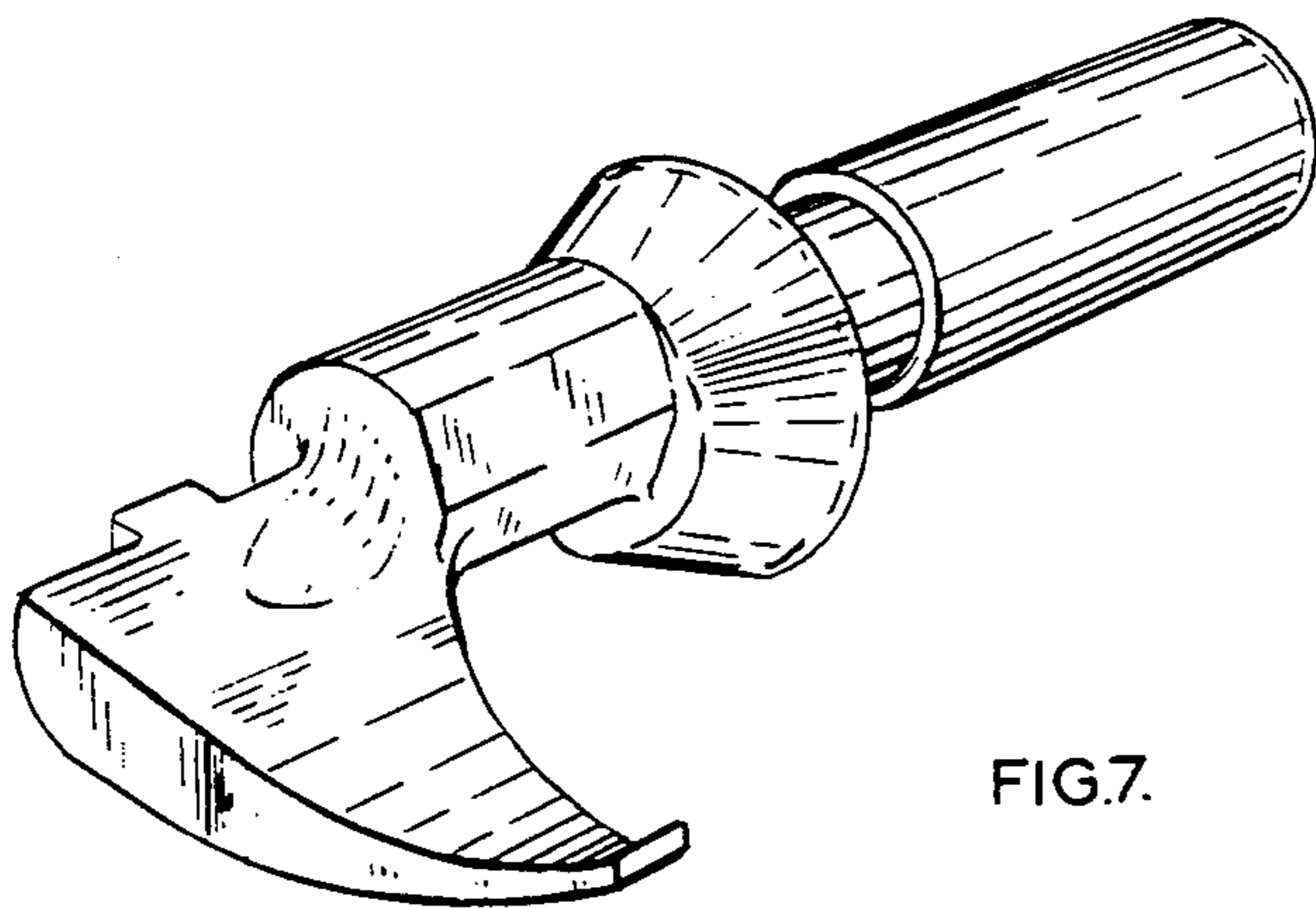


FIG. 7.

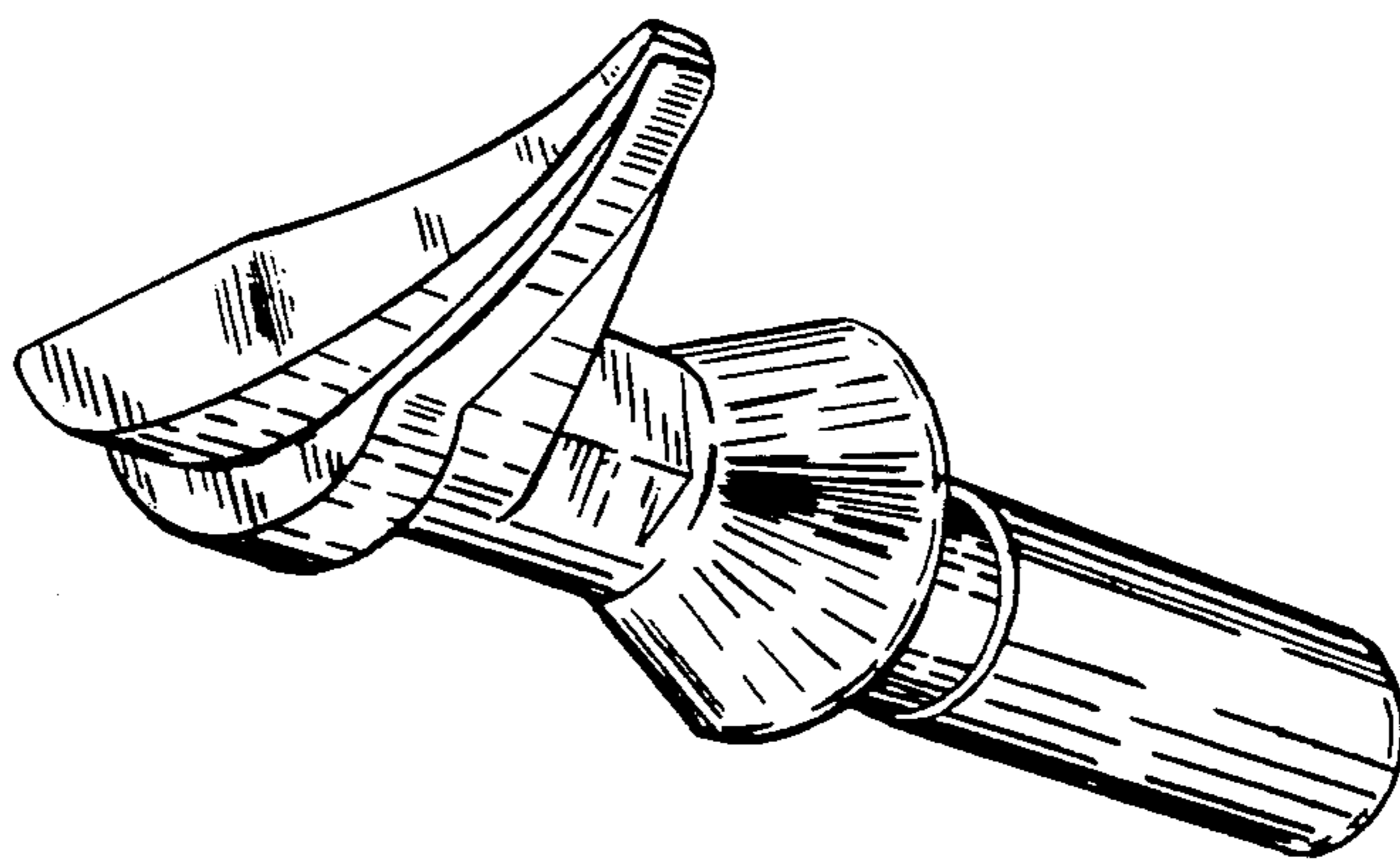


FIG. 8.