

[54] TELESCOPE

[75] Inventors: Michael Simmons, Hockessin, Del.; Peter W. Bressler, Philadelphia, Pa.

[73] Assignee: Edmund Scientific Company, Barrington, N.J.

[**] Term: 14 Years

[21] Appl. No.: 699,428

[22] Filed: Jun. 24, 1976

[51] Int. Cl. D16-06

[52] U.S. Cl. D16/60

[58] Field of Search 350/8, 11, 50, 240, 350/78, 79, 85, 82; D16/59, 60

[56] References Cited

U.S. PATENT DOCUMENTS

D. 190,684 6/1961 Kennedy et al. D16/60
3,147,553 9/1964 Cogswell 350/83

3,324,300 6/1967 Bouwers 350/8 X
3,603,664 9/1971 James 350/83

FOREIGN PATENT DOCUMENTS

1,327,649 4/1963 France 350/83

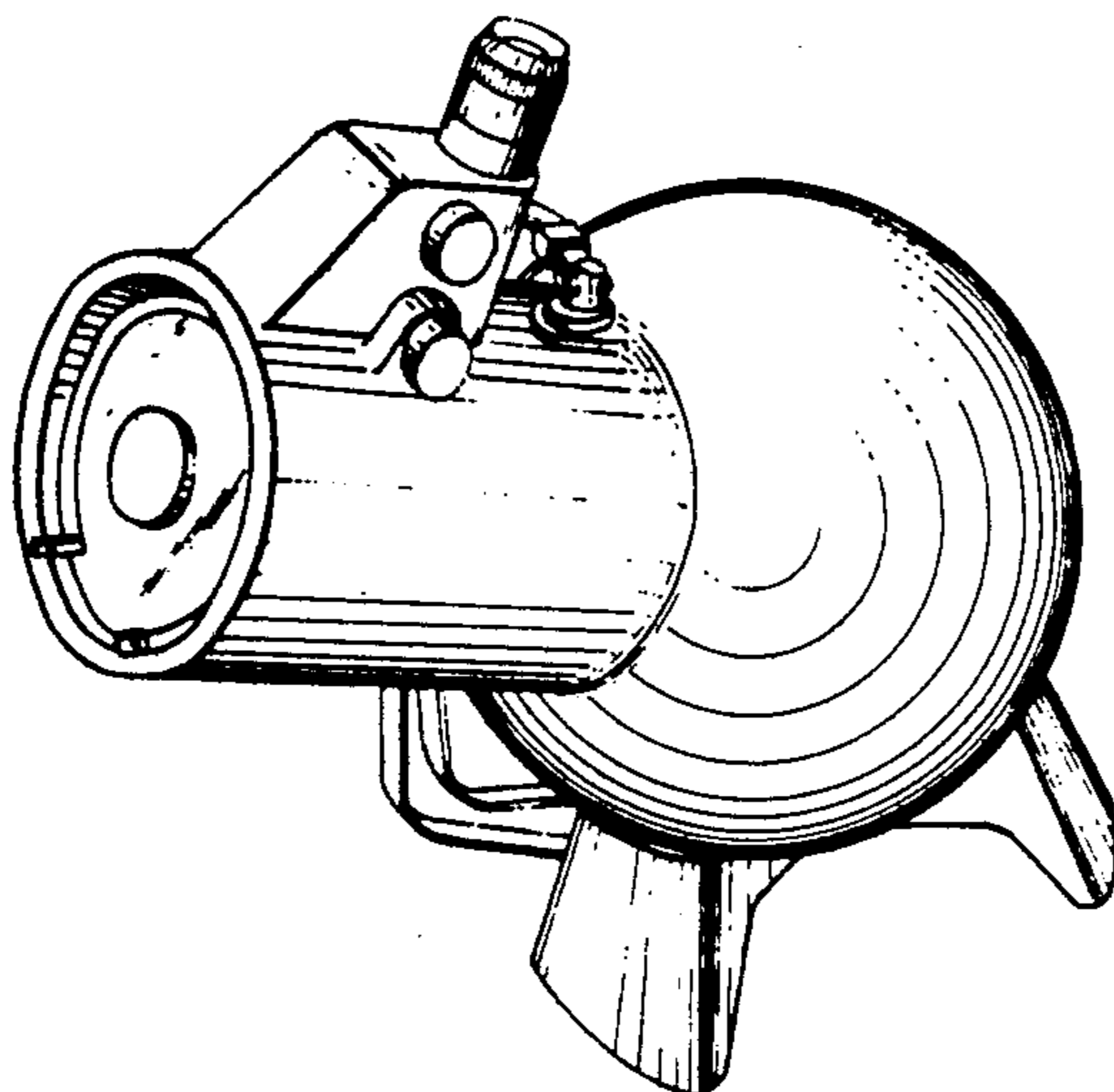
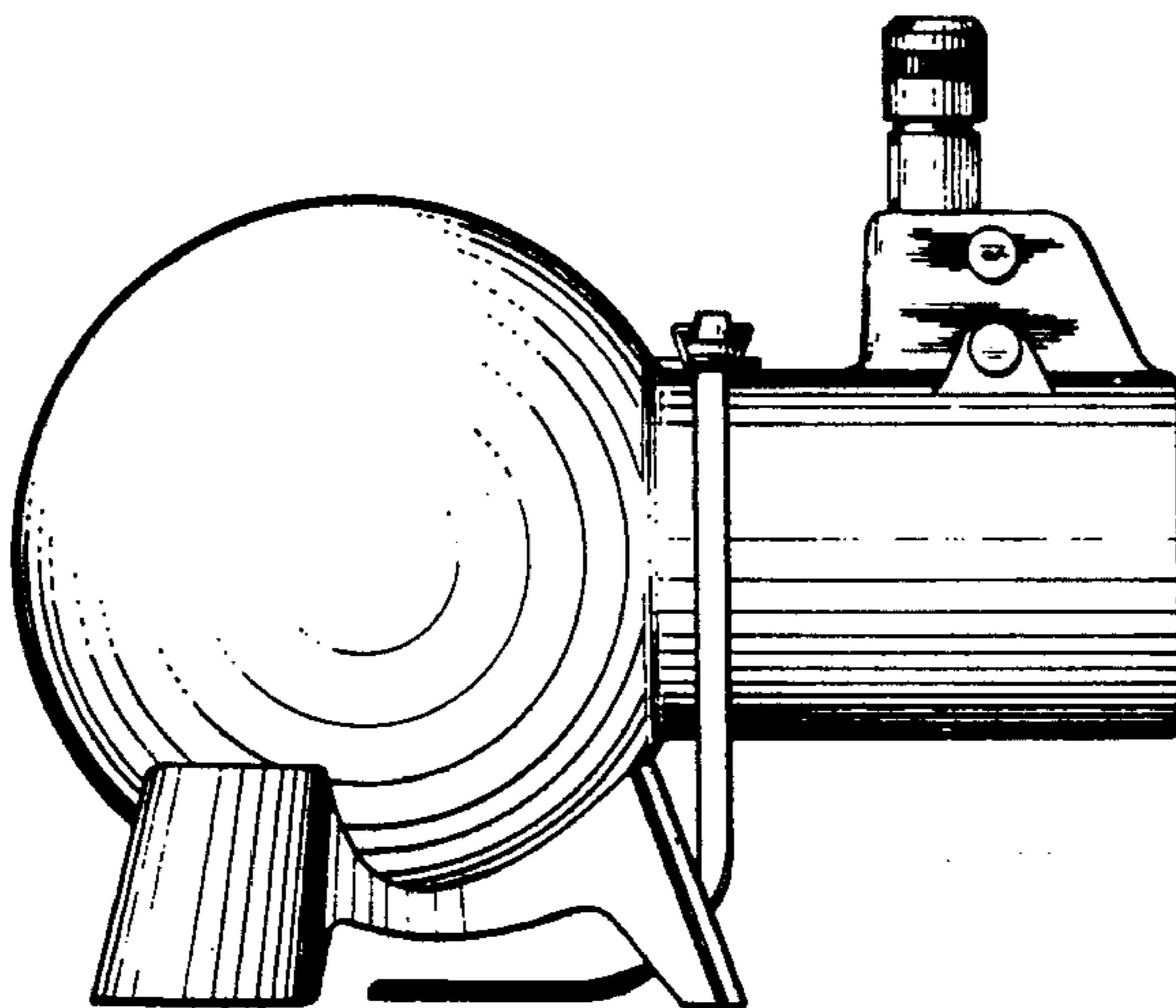
Primary Examiner—Bernard Ansher
Attorney, Agent, or Firm—George A. Smith, Jr.

[57] CLAIM

The ornamental design for a telescope, as shown and described.

DESCRIPTION

FIG. 1 is a right-hand side elevation of a telescope, showing our new design; FIG. 2 is a front elevation thereof; FIG. 3 is a left-hand side elevation thereof; FIG. 4 is a rear elevation thereof; FIG. 5 is a top plan view thereof; FIG. 6 is a bottom plan view thereof; and FIG. 7 is an oblique perspective thereof.



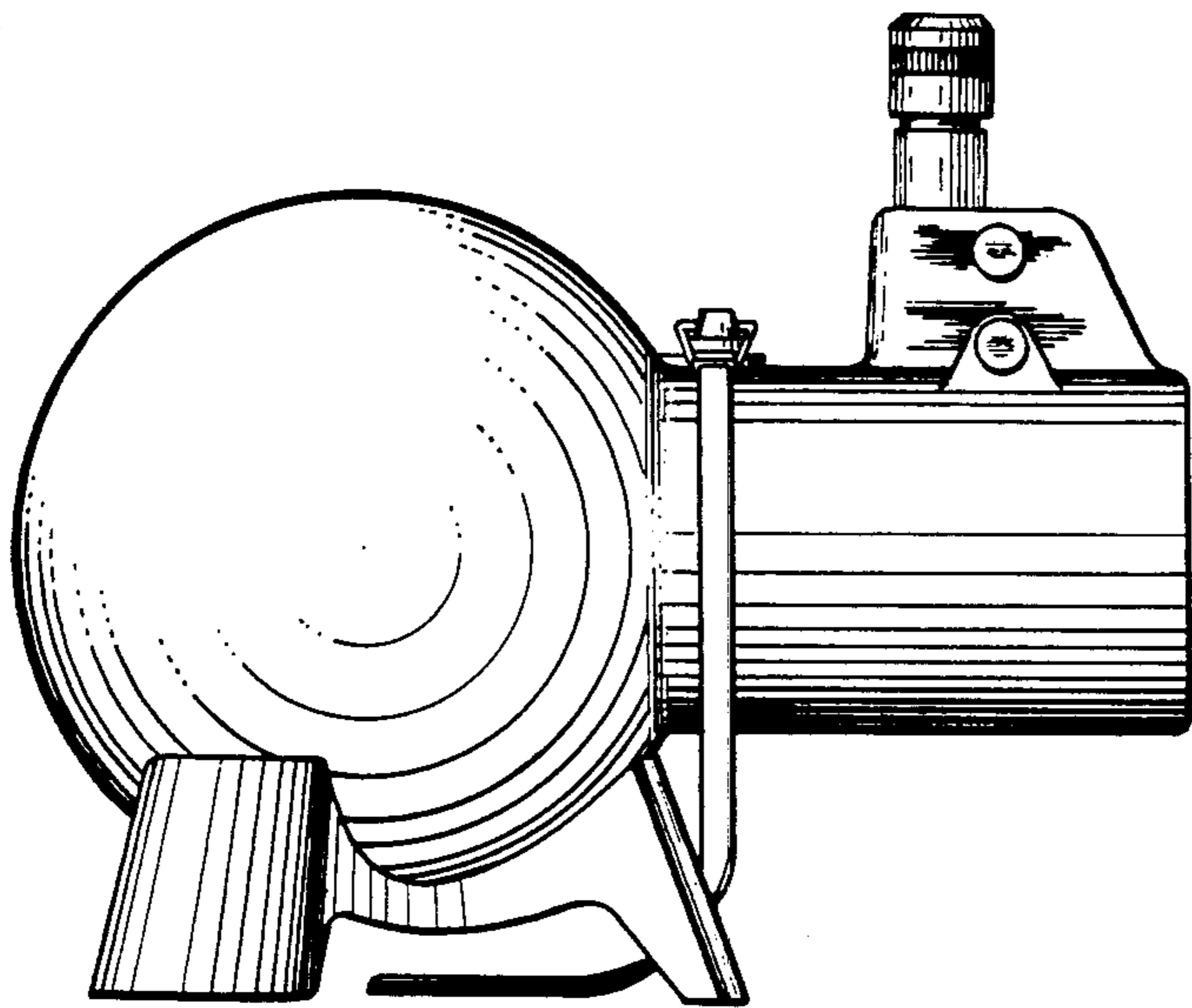


FIG. 1.

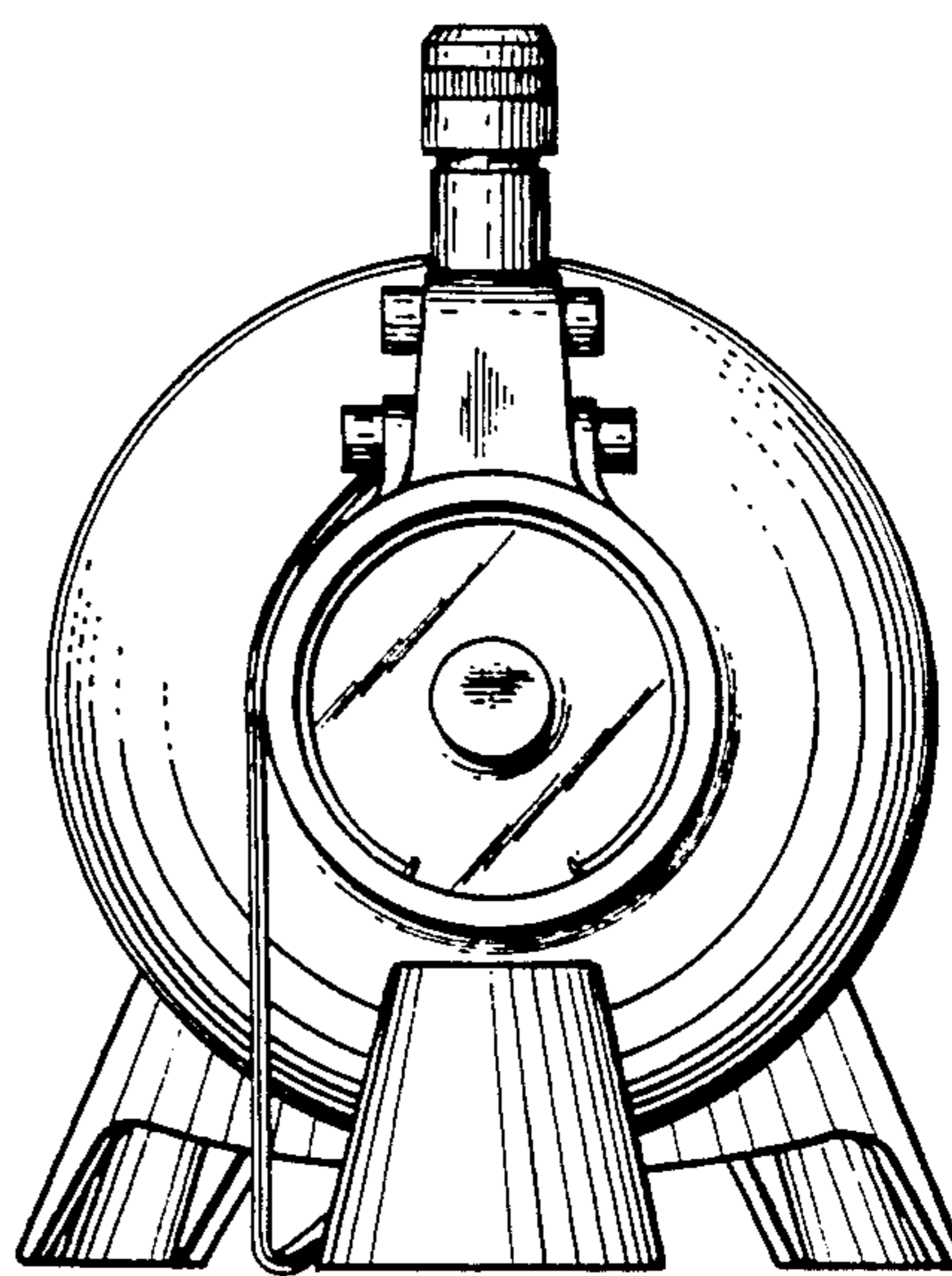


FIG. 2.

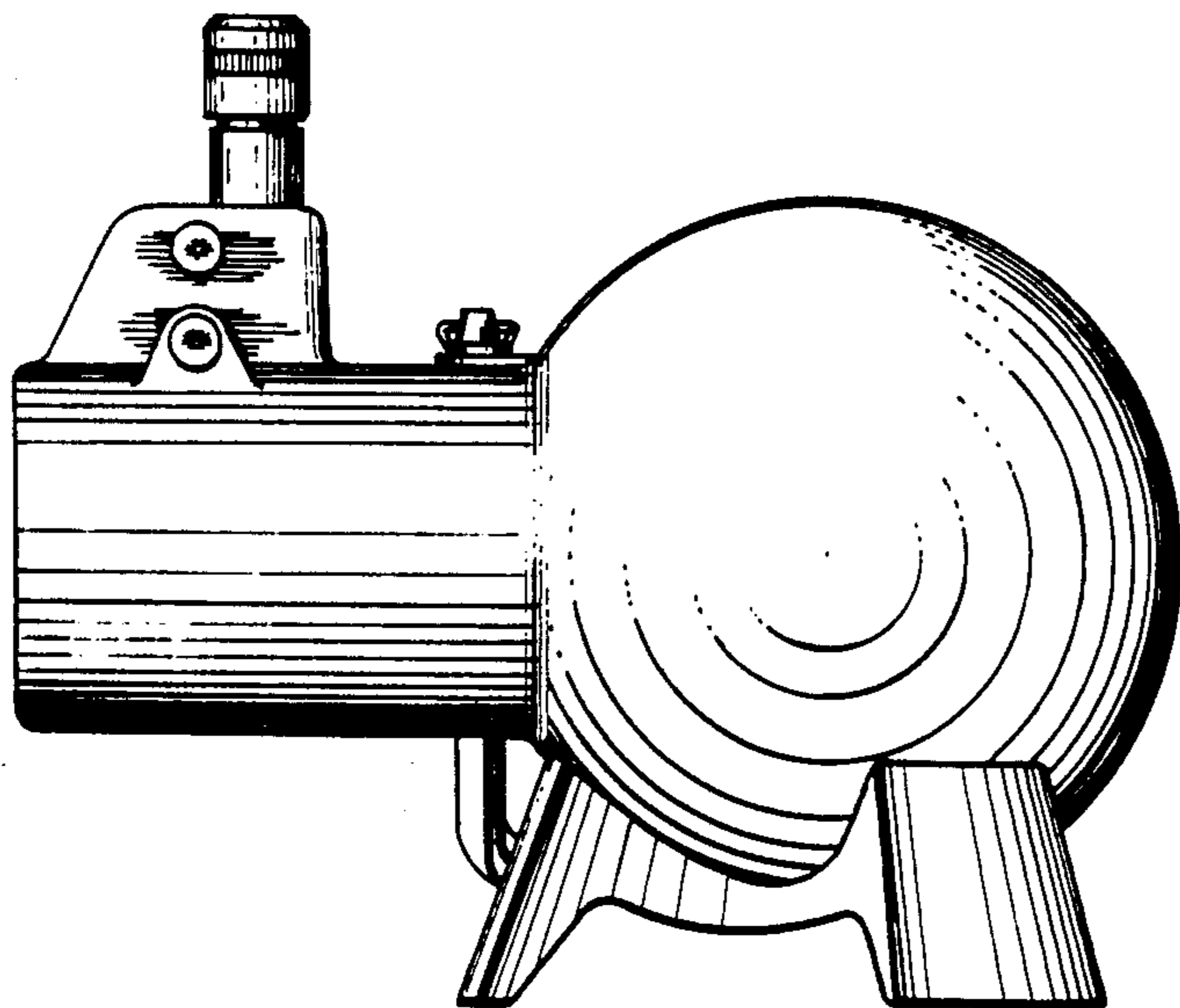


FIG. 3.

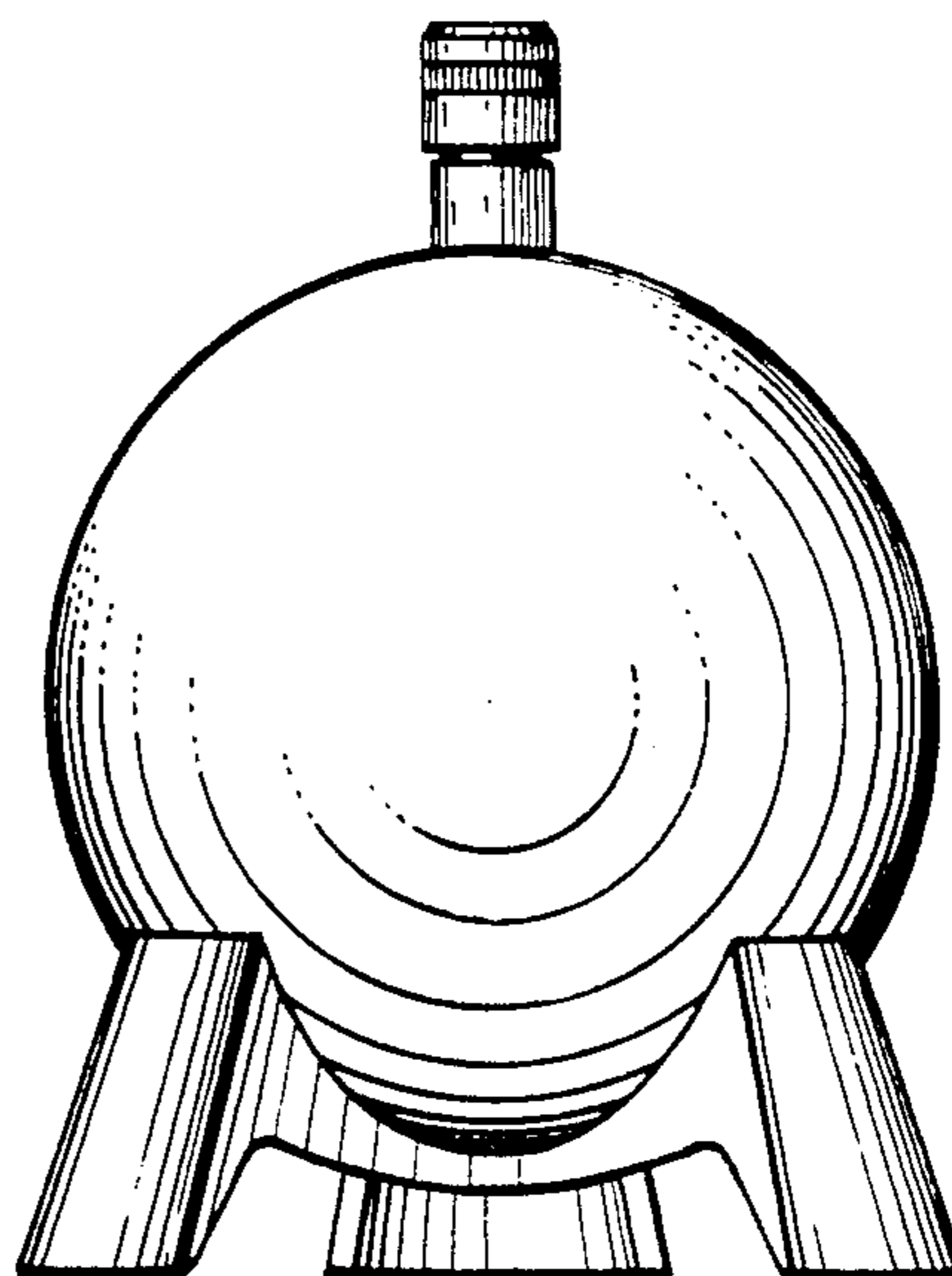


FIG. 4.

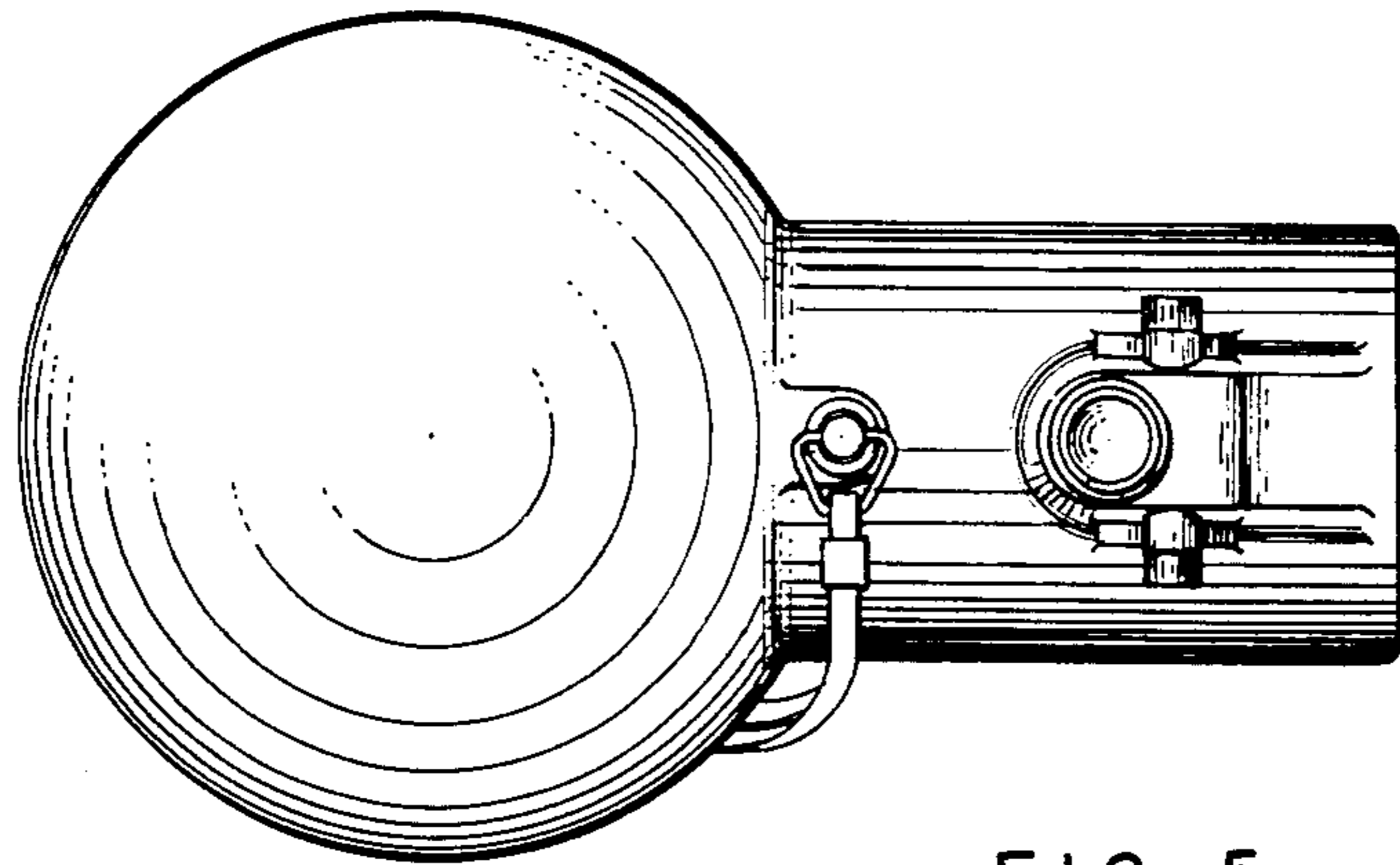


FIG. 5.

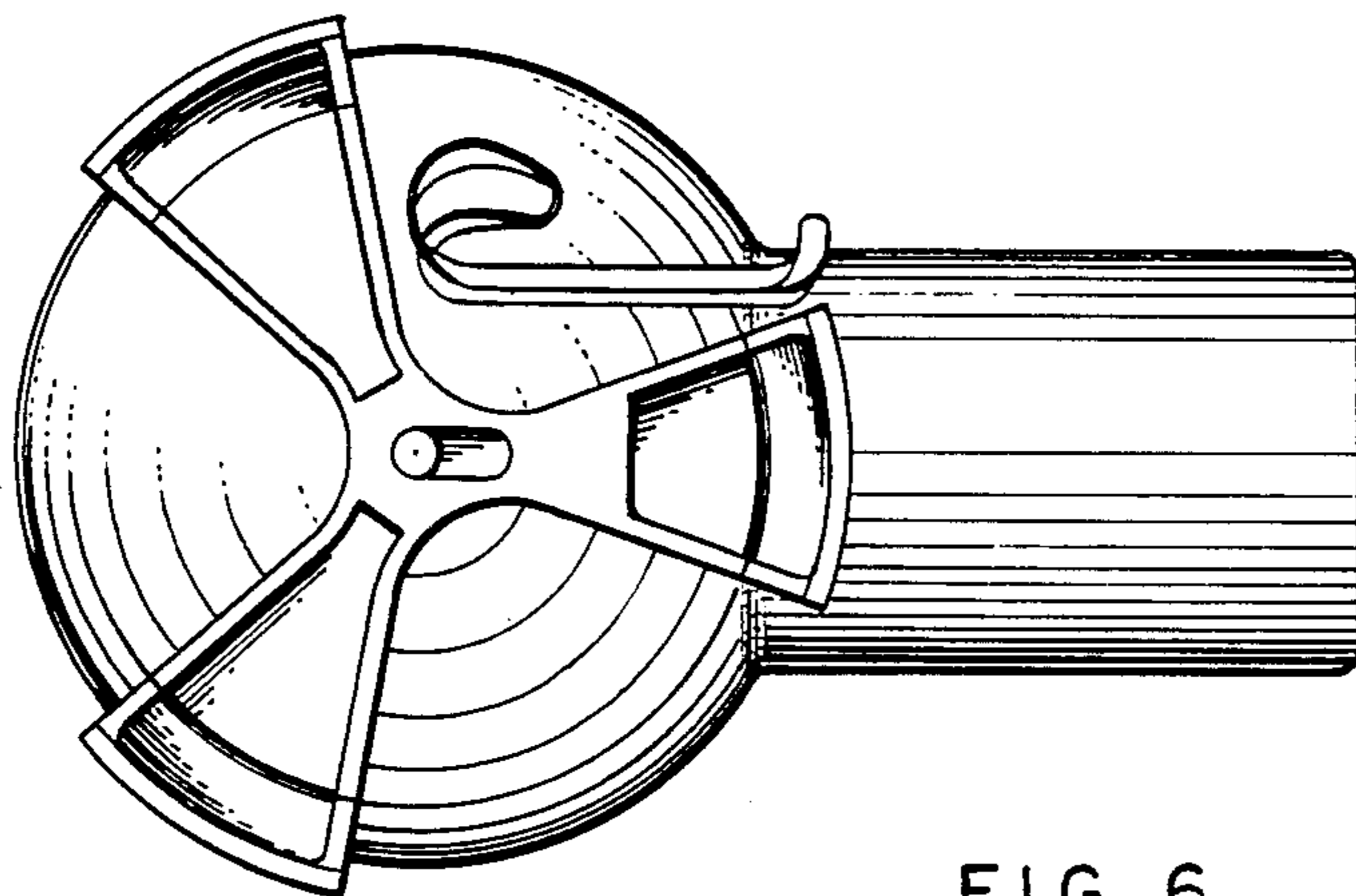


FIG. 6.

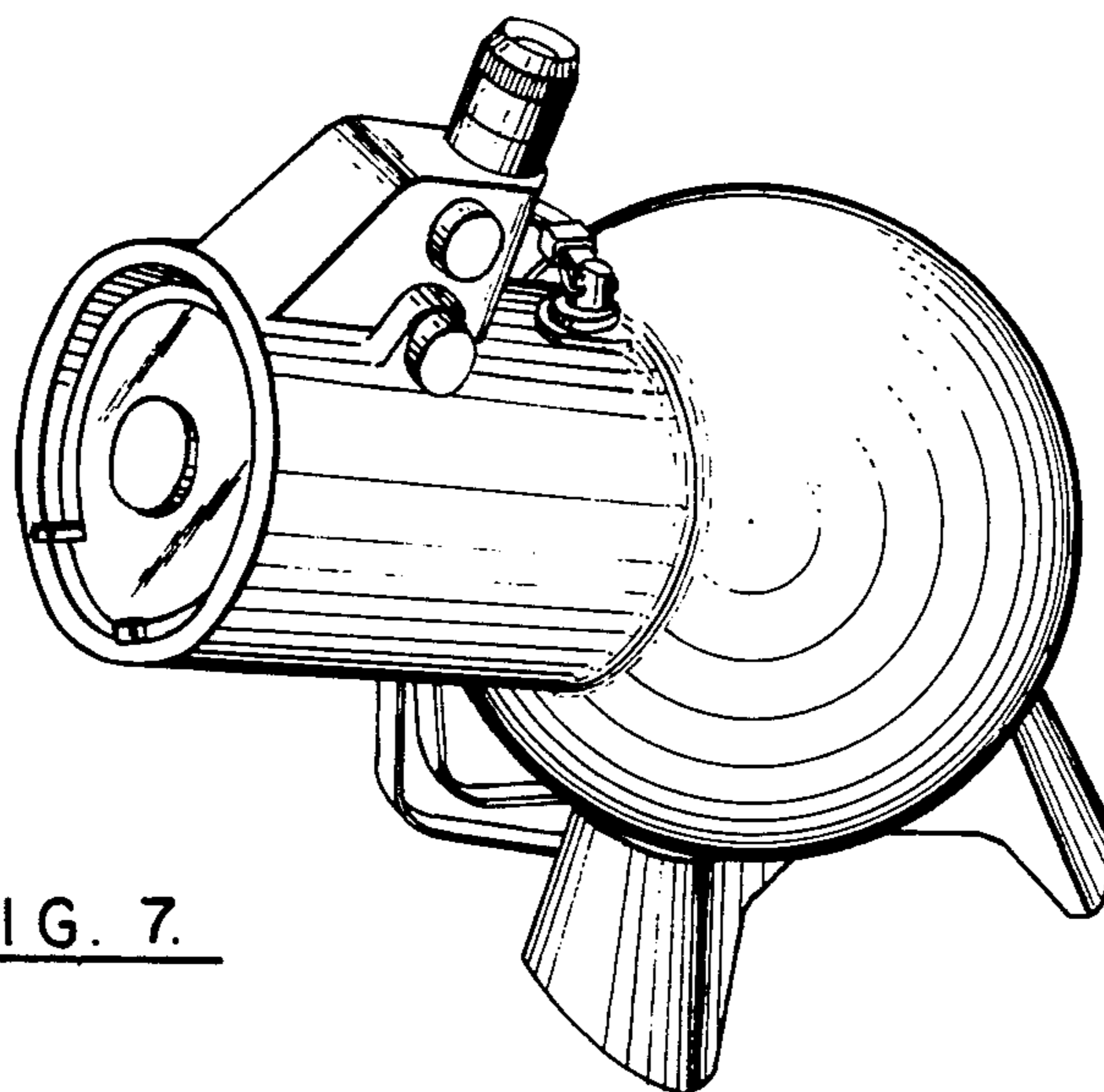


FIG. 7.