

[54] CLUTCH PULLEY MEASURING DEVICE

[76] Inventors: William C. Pierce, 9714 Lanward Dr., Dallas, Tex. 75238; Raymond E. Porter, 4830 Blaney, Fort Worth, Tex. 76118

[**] Term: 14 Years

[21] Appl. No.: 700,201

[22] Filed: Jun. 28, 1976

[51] Int. Cl. D10-04

[52] U.S. Cl. D10/73; D10/64

[58] Field of Search D10/64, 70, 73; 33/143 M

[56] References Cited

U.S. PATENT DOCUMENTS

D. 182,193	2/1958	Minors	D10/64 X
D. 195,359	6/1963	Robbins	D10/64 X
D. 218,779	9/1970	Nelson	D10/64
802,402	10/1905	Martin	D10/64 X
2,874,478	2/1959	Falconer	D10/73 X
3,672,061	6/1972	Alessi	33/111

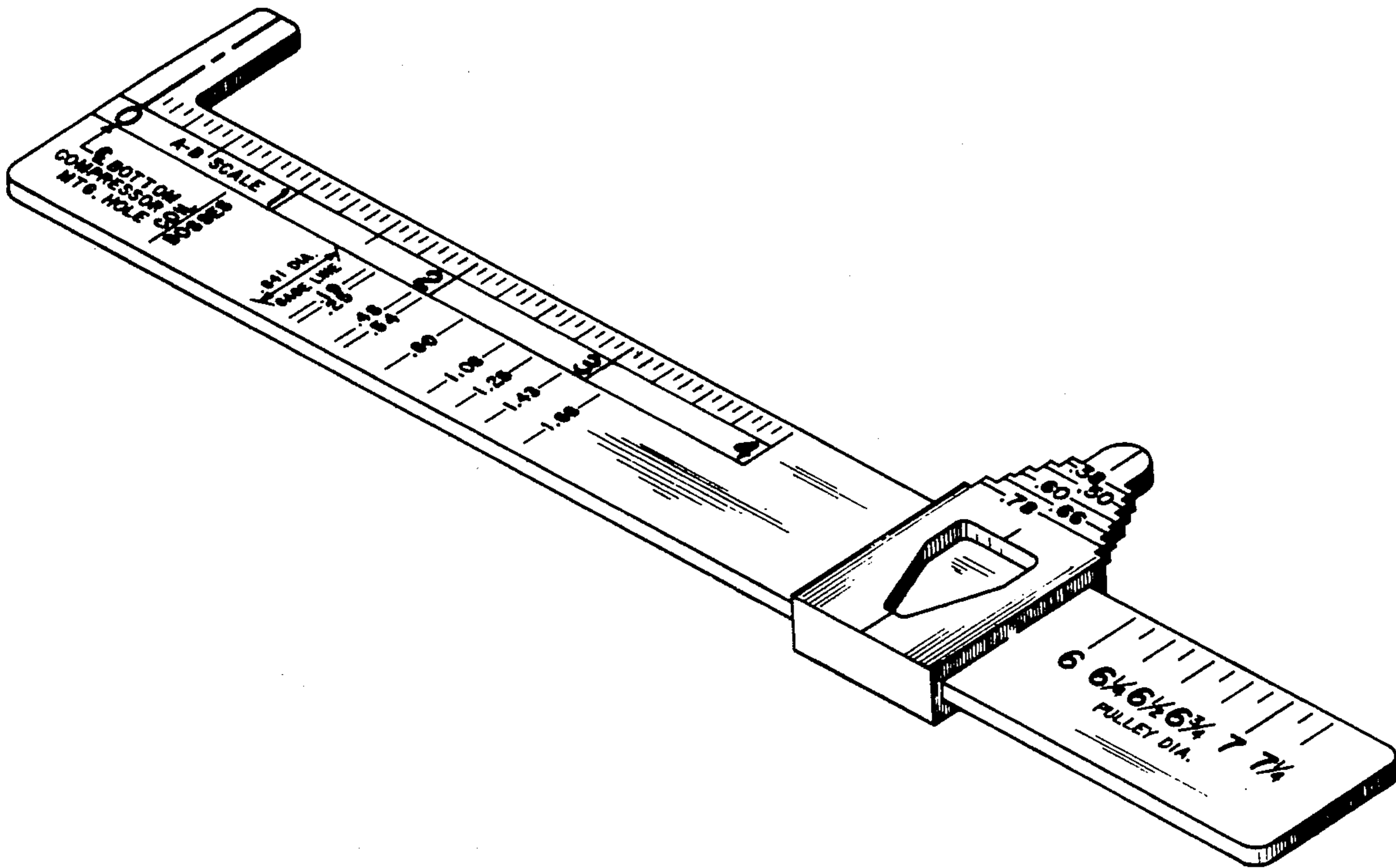
Primary Examiner—Nelson C. Holtje
Attorney, Agent, or Firm—D. Carl Richards

[57] CLAIM

The ornamental design for a clutch pulley measuring device, substantially as shown.

DESCRIPTION

FIG. 1 is a top, front perspective view of a clutch pulley measuring device showing our new design; FIG. 2 is a bottom rear perspective view thereof; FIG. 3 is a right end elevational view thereof.



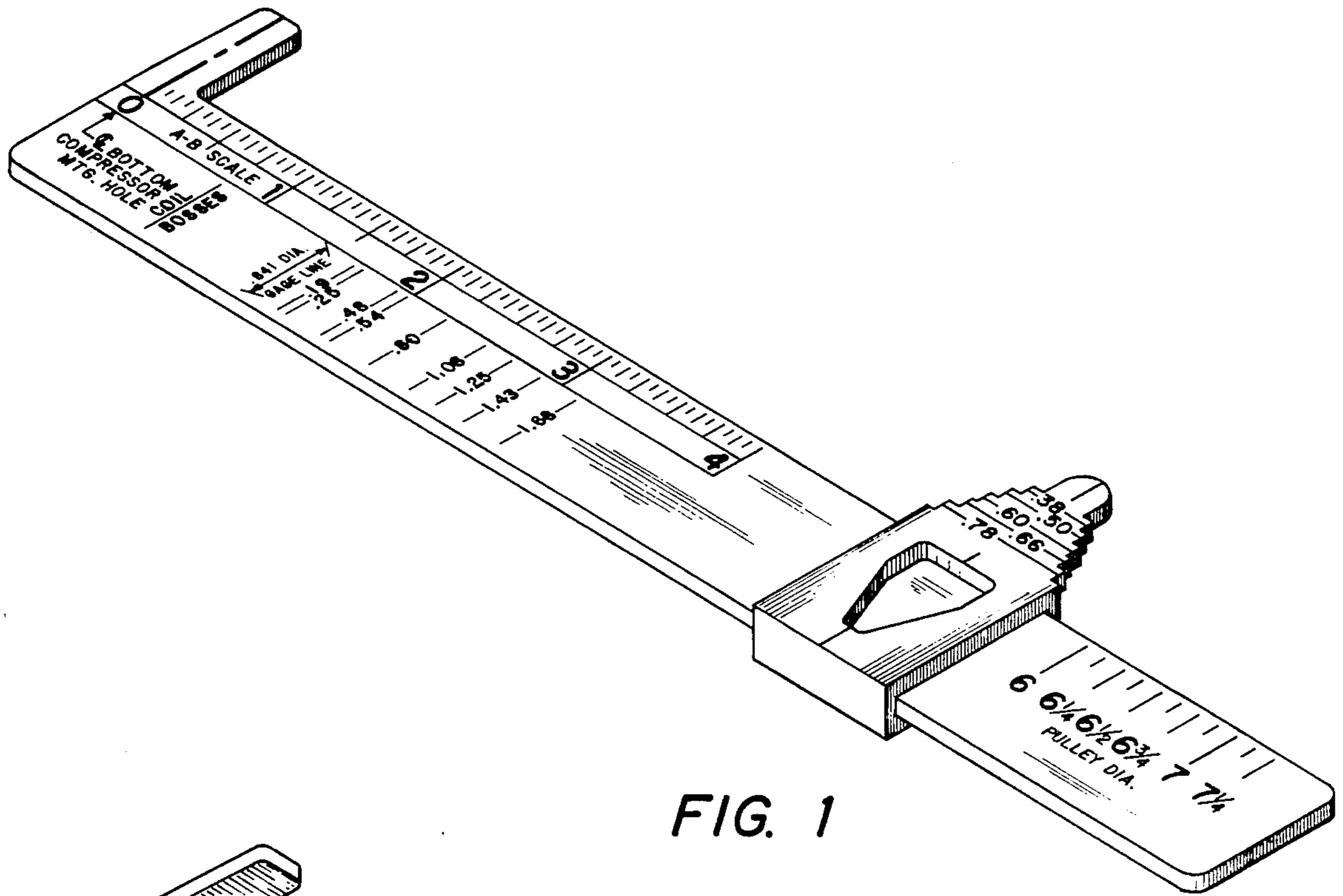


FIG. 1

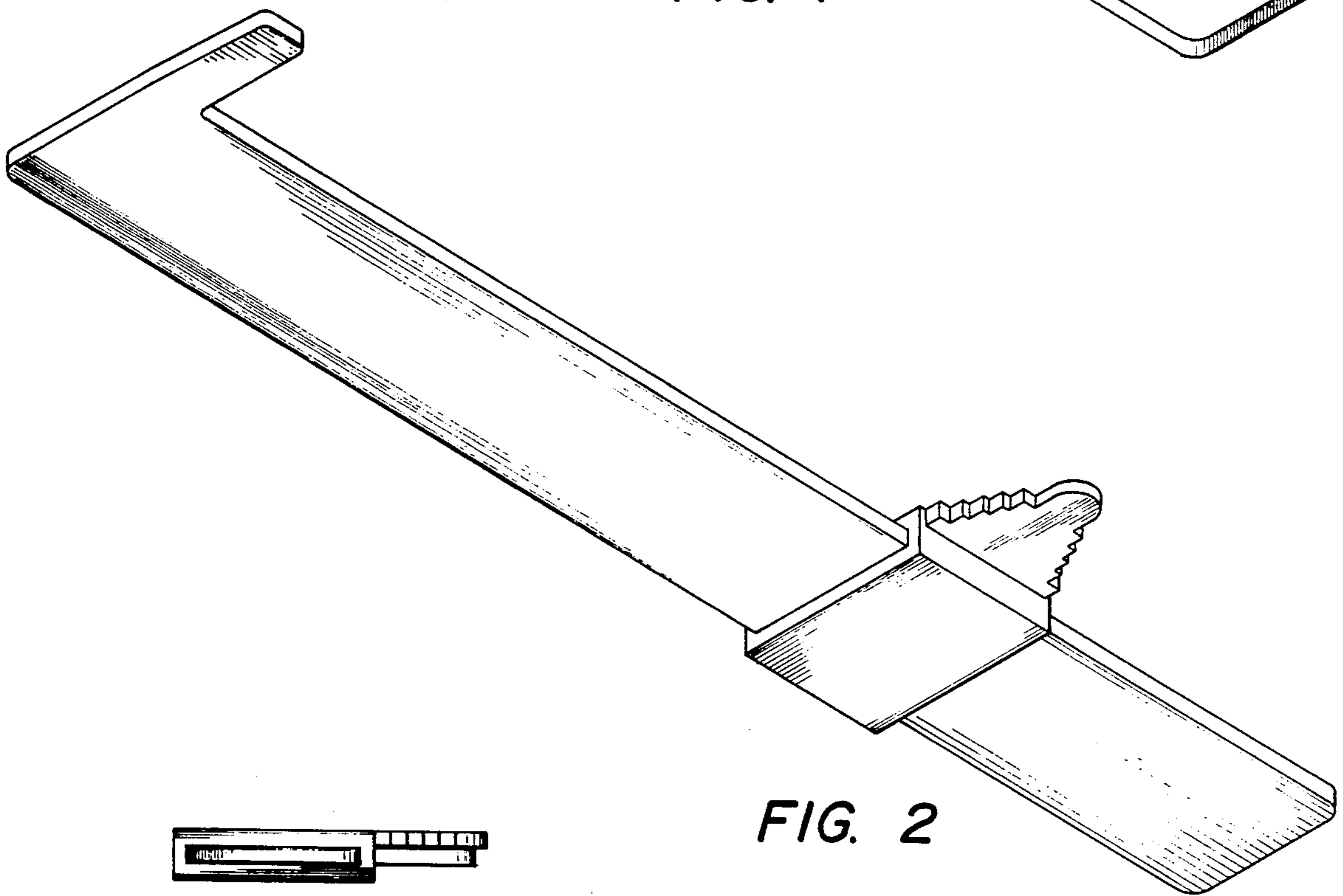


FIG. 2



FIG. 3