

[54] ESCUTCHEON

[75] Inventor: James M. Palm, Jr., Rockford, Ill.
[73] Assignee: Amerock Corporation, Rockford, Ill.
[**] Term: 14 Years
[21] Appl. No.: 746,472
[22] Filed: Dec. 1, 1976

[51] Int. Cl. D8-09
[52] U.S. Cl. D8/352
[58] Field of Search D8/300-302,
D8/305-307, 310, 313-323, 349-353, 400, 401

[56] References Cited

U.S. PATENT DOCUMENTS

D. 56,143 8/1920 Greene D8/352
D. 224,776 9/1972 Tegner D8/350

OTHER PUBLICATIONS

Barrow's Builders' Hardware Cat. 38, 4/1939, p. 104, key escutcheon 30507.

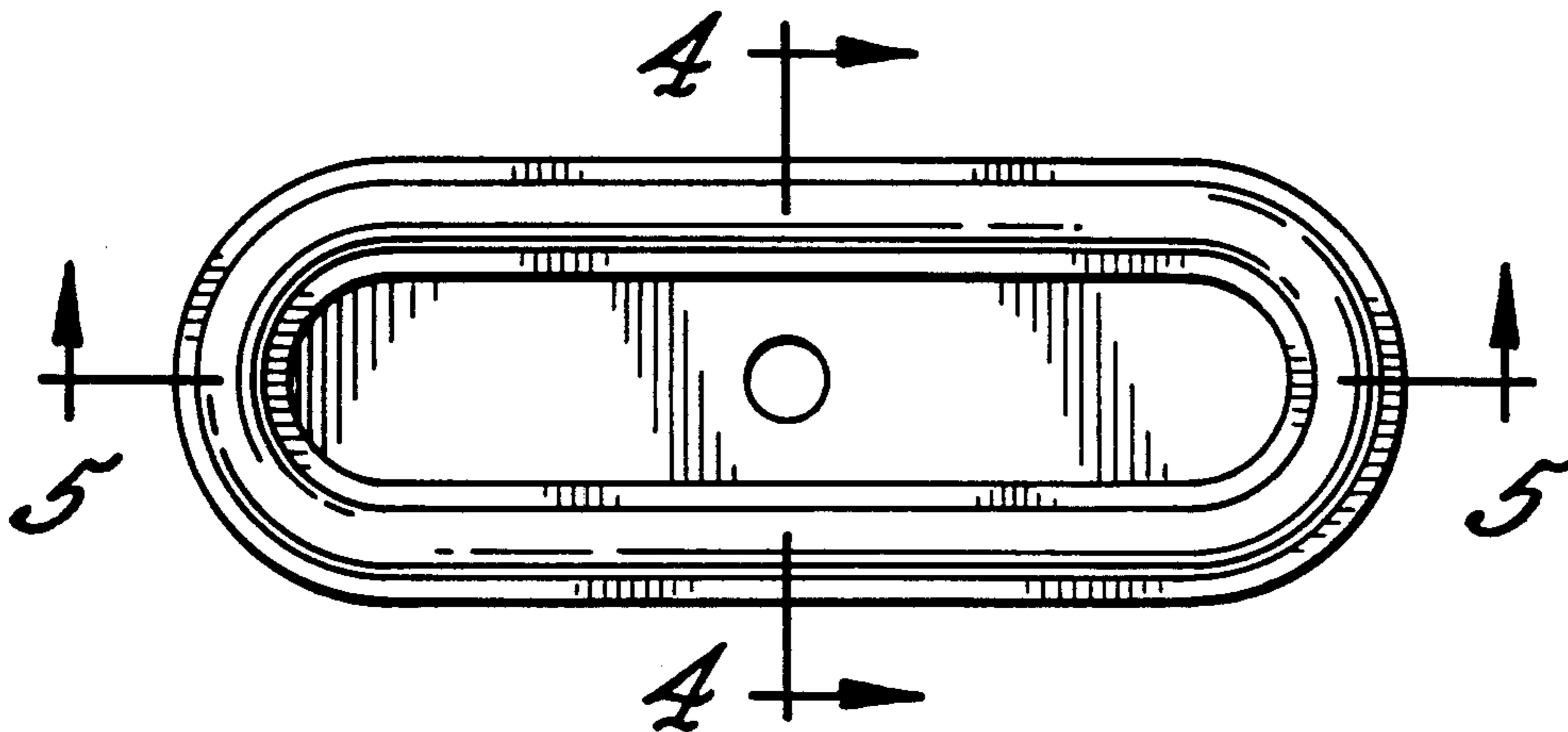
Primary Examiner—Wallace R. Burke
Assistant Examiner—B. J. Bullock
Attorney, Agent, or Firm—C. Frederick Leydig

[57] CLAIM

The ornamental design for an escutcheon, as shown.

DESCRIPTION

FIG. 1 is a front elevational view of an escutcheon incorporating my new design.
FIG. 2 is a bottom plan view, the top view being identical.
FIG. 3 is an end elevational view, the opposite end being identical.
FIG. 4 is a sectional view taken along the line 4-4 in FIG. 1.
FIG. 5 is a sectional view taken along the line 5-5 in FIG. 1.



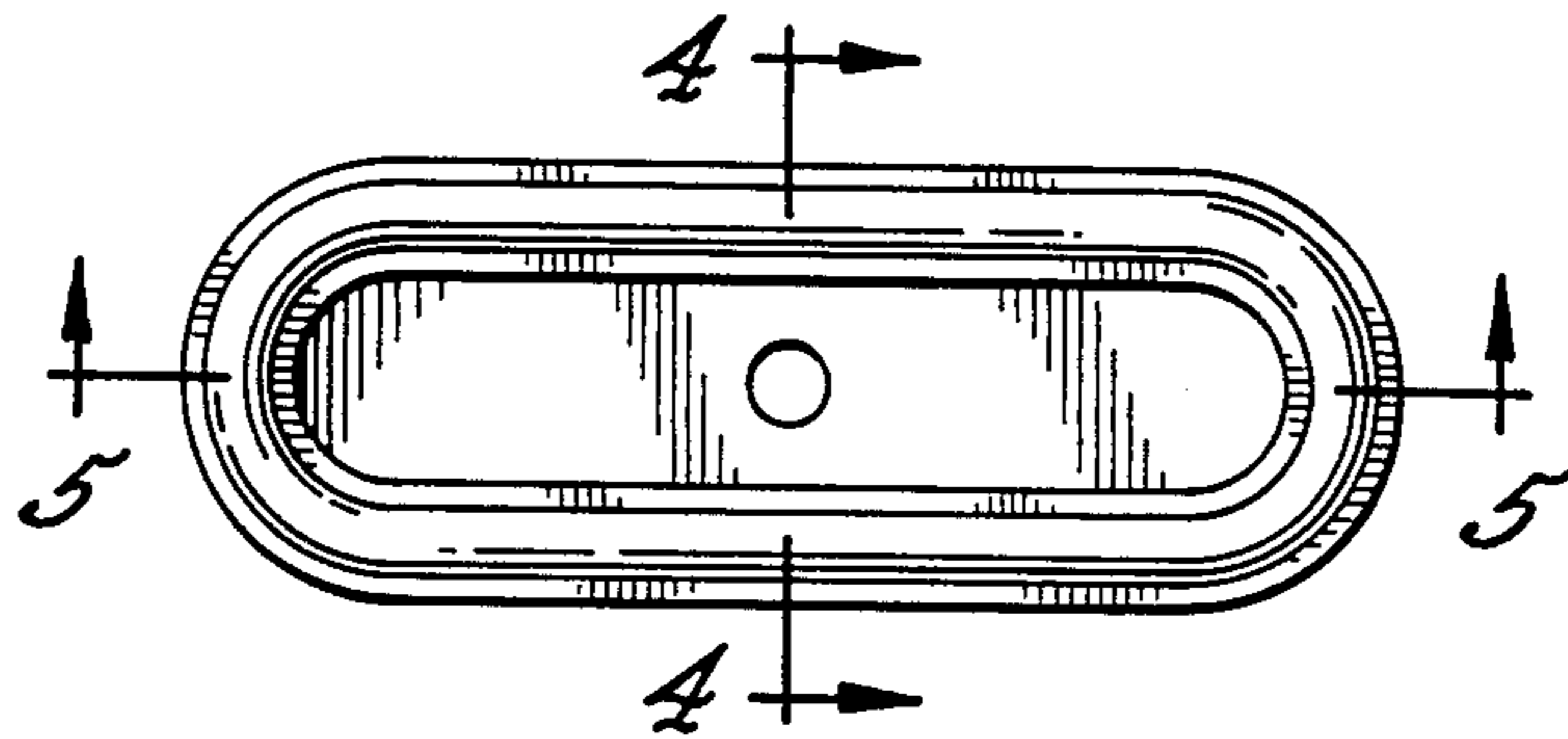


FIG. 1.

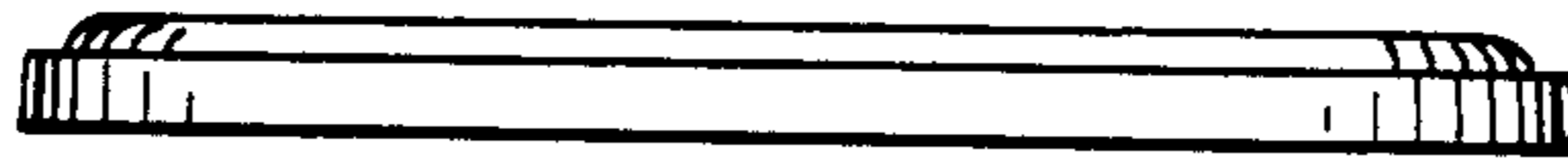


FIG. 2.

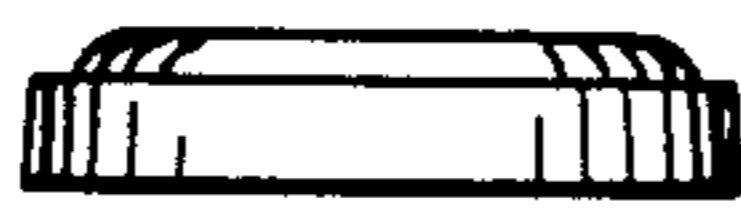


FIG. 3.



FIG. 4.



FIG. 5.