

[54] PULL

[75] Inventor: Teresa R. B. Pittenger, Rockford, Ill.

[73] Assignee: Amerock Corporation, Rockford, Ill.

[\*\*] Term: 14 Years

[21] Appl. No.: 746,524

[22] Filed: Dec. 1, 1976

[51] Int. Cl. .... D8-06

[52] U.S. Cl. .... D8/317

[58] Field of Search ..... D8/300-302, D8/305-307, 310, 313-323, 349-353, 400, 401; 16/110 R

[56] References Cited

U.S. PATENT DOCUMENTS

D. 68,614	11/1925	Collins	.....	D8/320
D. 233,011	10/1974	Tegner	.....	D8/316
D. 233,012	10/1974	Tegner	.....	D8/316

D. 236,864 9/1975 Tegner ..... D8/316

Primary Examiner—Wallace R. Burke

Assistant Examiner—B. J. Bullock

Attorney, Agent, or Firm—C. Frederick Leydig

[57] CLAIM

The ornamental design for a pull, as shown.

DESCRIPTION

FIG. 1 is a front elevational view of a pull incorporating my new design.

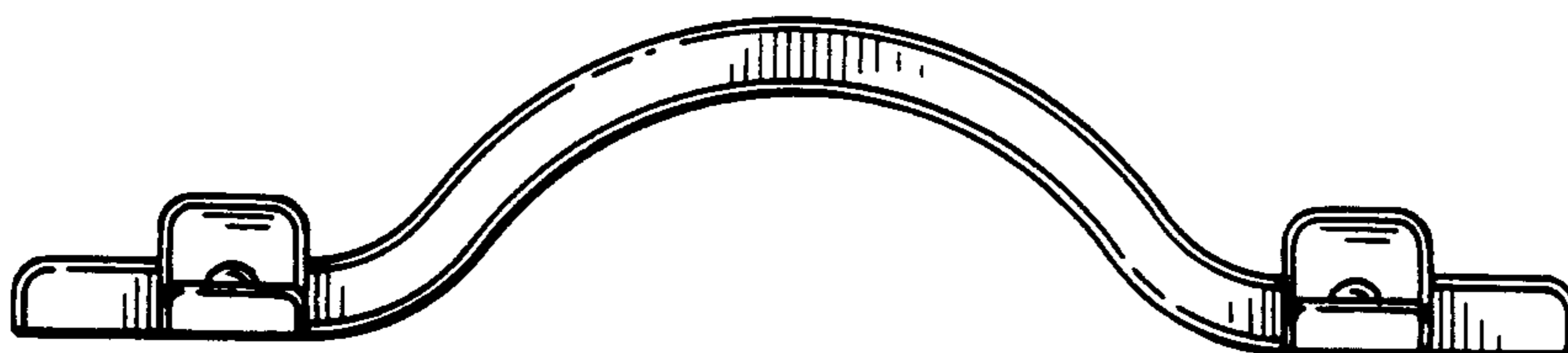
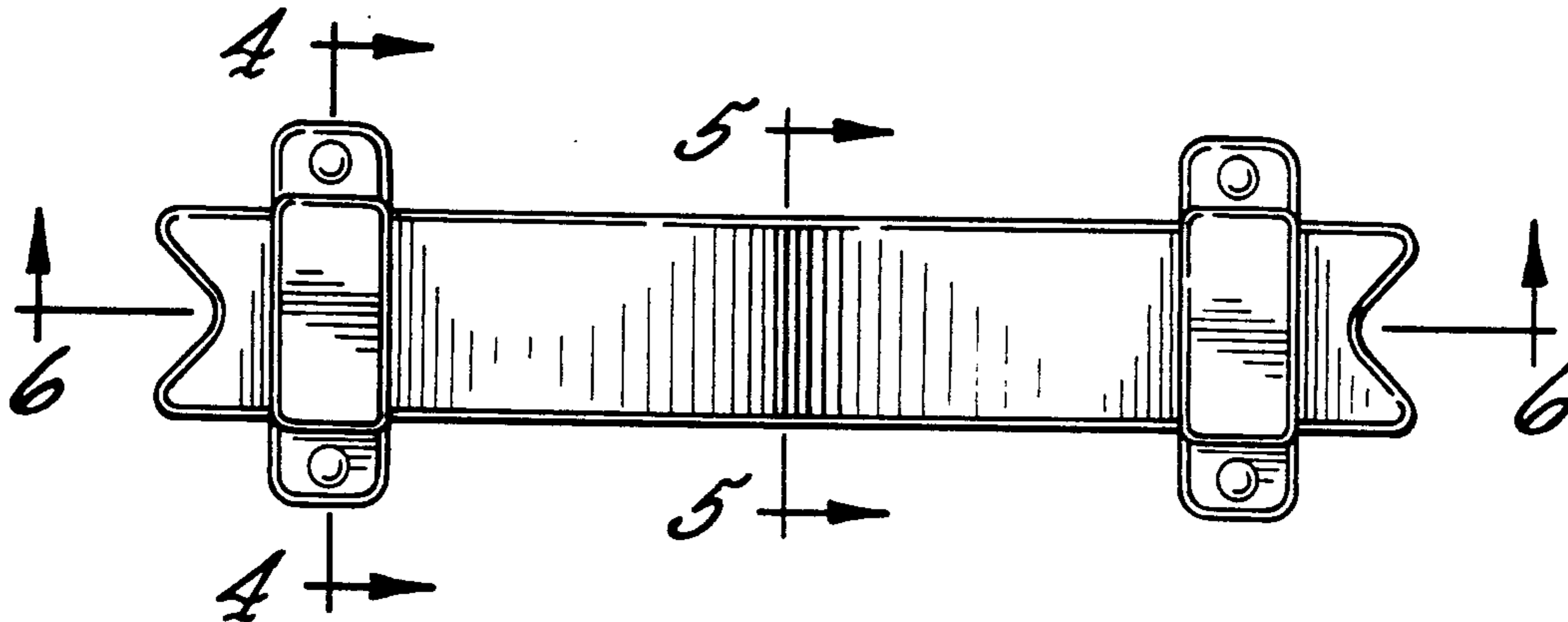
FIG. 2 is a bottom plan view, the top view being identical.

FIG. 3 is an end elevational view.

FIG. 4 is a sectional view taken along the line 4—4 in FIG. 1.

FIG. 5 is a sectional view taken along the line 5—5 in FIG. 1.

FIG. 6 is a sectional view taken along the line 6—6 in FIG. 1.



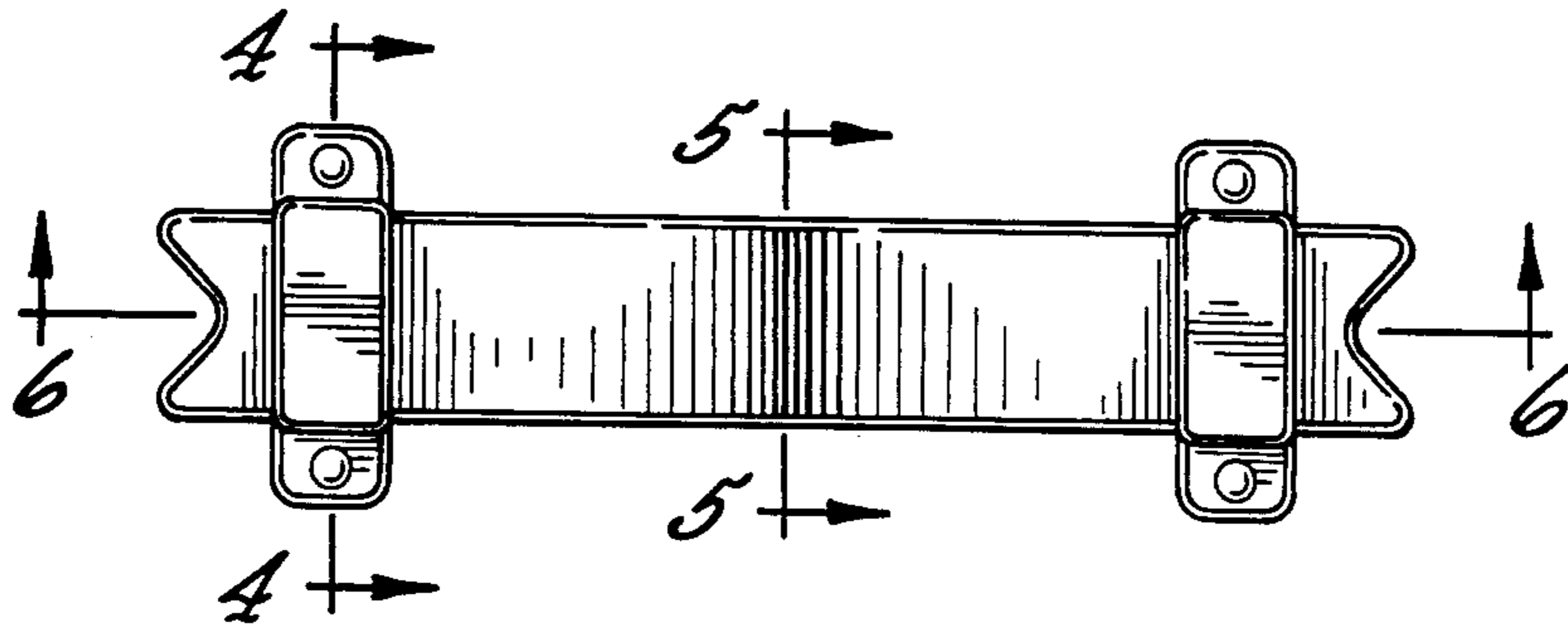


FIG. 1.

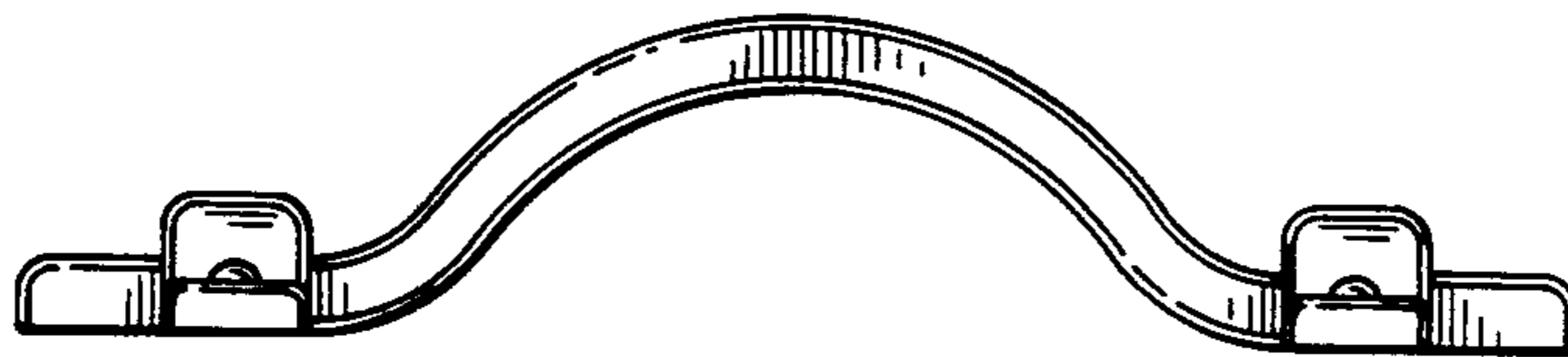


FIG. 2.

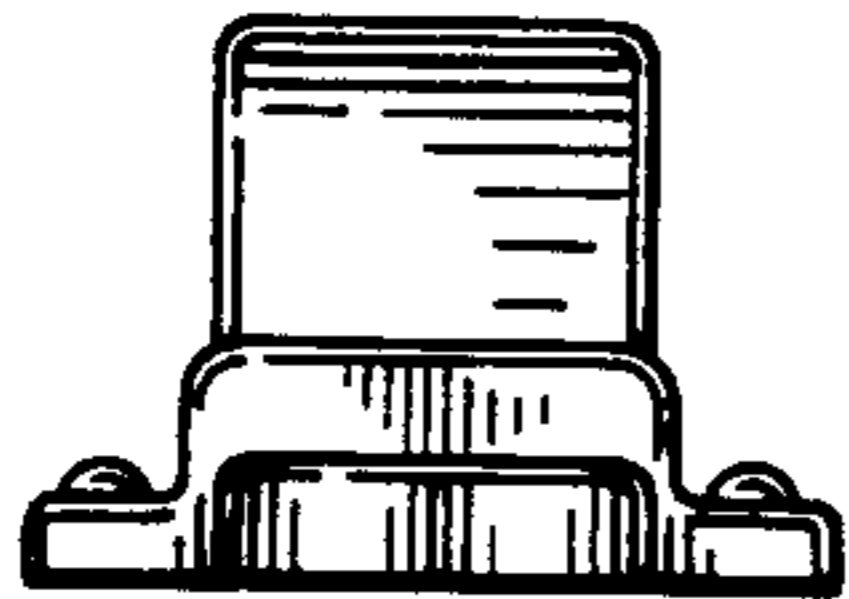


FIG. 3.



FIG. 4.



FIG. 5.

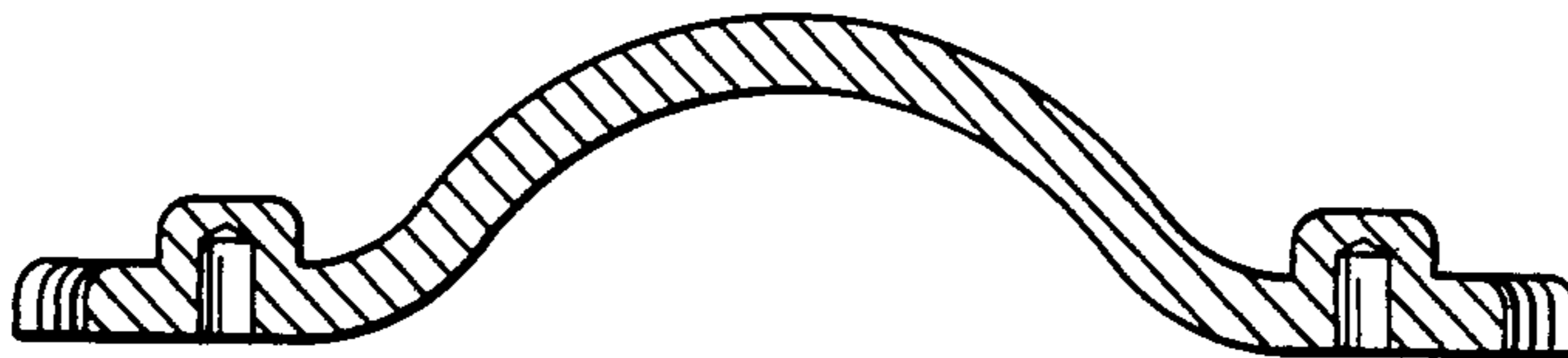


FIG. 6.