

[54] **COMBINED CUP AND COASTER/COVER OR THE LIKE**

3,246,786	4/1966	Holley	229/1.5 B X
3,598,271	8/1971	Holley	215/100.5 X
4,040,549	8/1977	Sadler	215/100 R X

[75] Inventor: **Harold P. Ashton**, Providence, R.I.

[73] Assignee: **Dart Industries, Inc.**, Los Angeles, Calif.

[**] Term: **14 Years**

[21] Appl. No.: **695,619**

[22] Filed: **Jun. 14, 1976**

[51] Int. Cl. **D7-01**

[52] U.S. Cl. **D7/3; D7/9**

[58] Field of Search **D7/6-15, D7/3, 40, 45; 248/346.1; 215/100.5; D9/216, 220**

[56] **References Cited**

U.S. PATENT DOCUMENTS

D. 227,133	6/1973	Gulotta	D7/9
D. 245,384	8/1977	Ashton	D7/40 X
862,953	8/1907	Westlake	215/100.5
1,550,618	8/1925	Kemp	D7/9 X

OTHER PUBLICATIONS

Libbey Premier Catalog for 1973, rec'd. 6-29-73, p. 48, mug shown lower far right.

Primary Examiner—Winifred E. Herrmann
Attorney, Agent, or Firm—Leigh B. Taylor

[57] **CLAIM**

The ornamental design for a combined cup and coaster/cover or the like, substantially as shown.

DESCRIPTION

FIG. 1 is a top perspective view of a combined cup and coaster cover or the like showing my new design; FIG. 2 is a rear elevational view thereof; FIG. 3 is a top plan view of FIG. 1; FIG. 4 is a side elevational view thereof, the coaster being in the position of a cover; FIG. 5 is a cross-sectional view thereof taken along line 5-5 of FIG. 2; and FIG. 6 is a bottom plan view of FIG. 1.

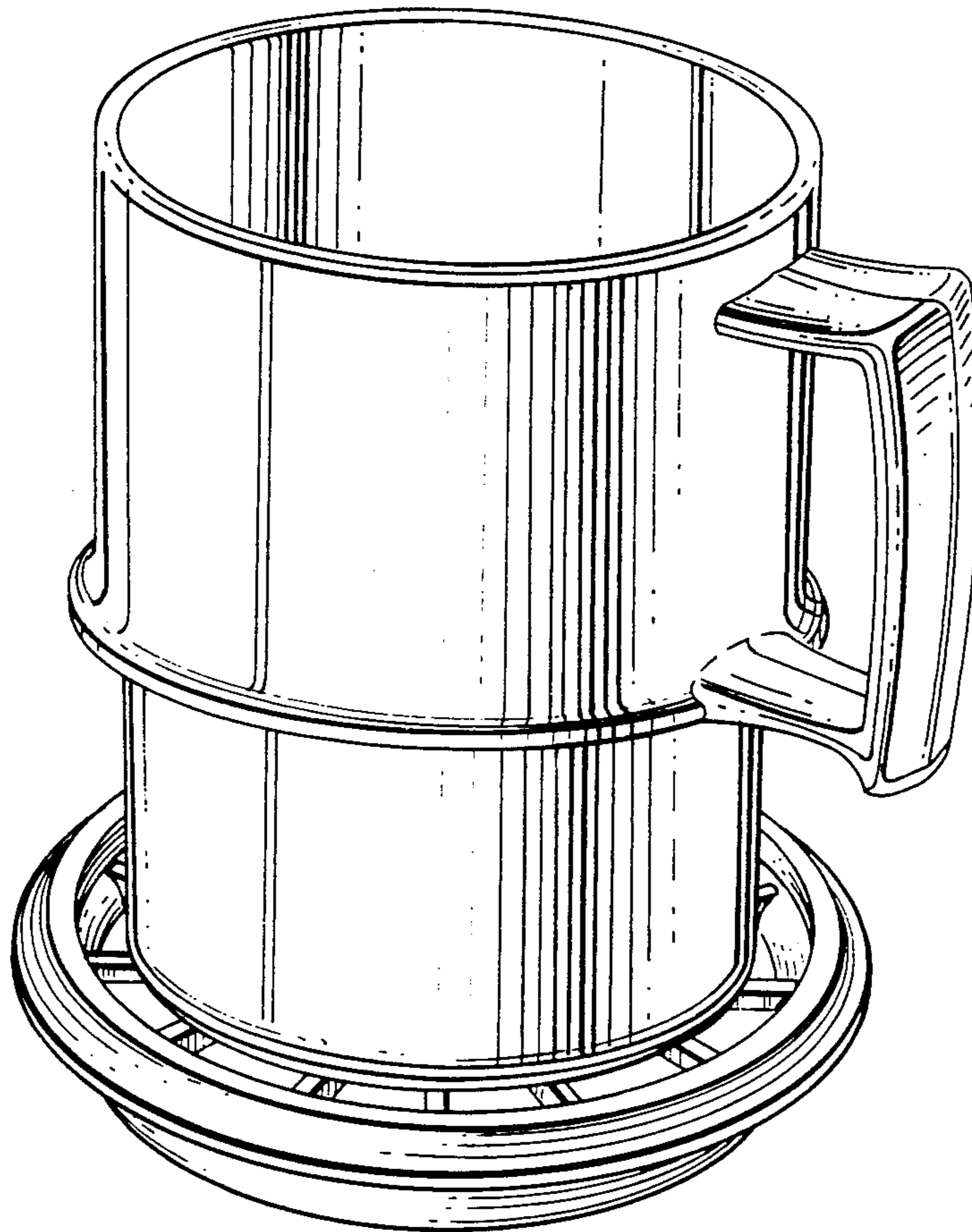


FIG.1

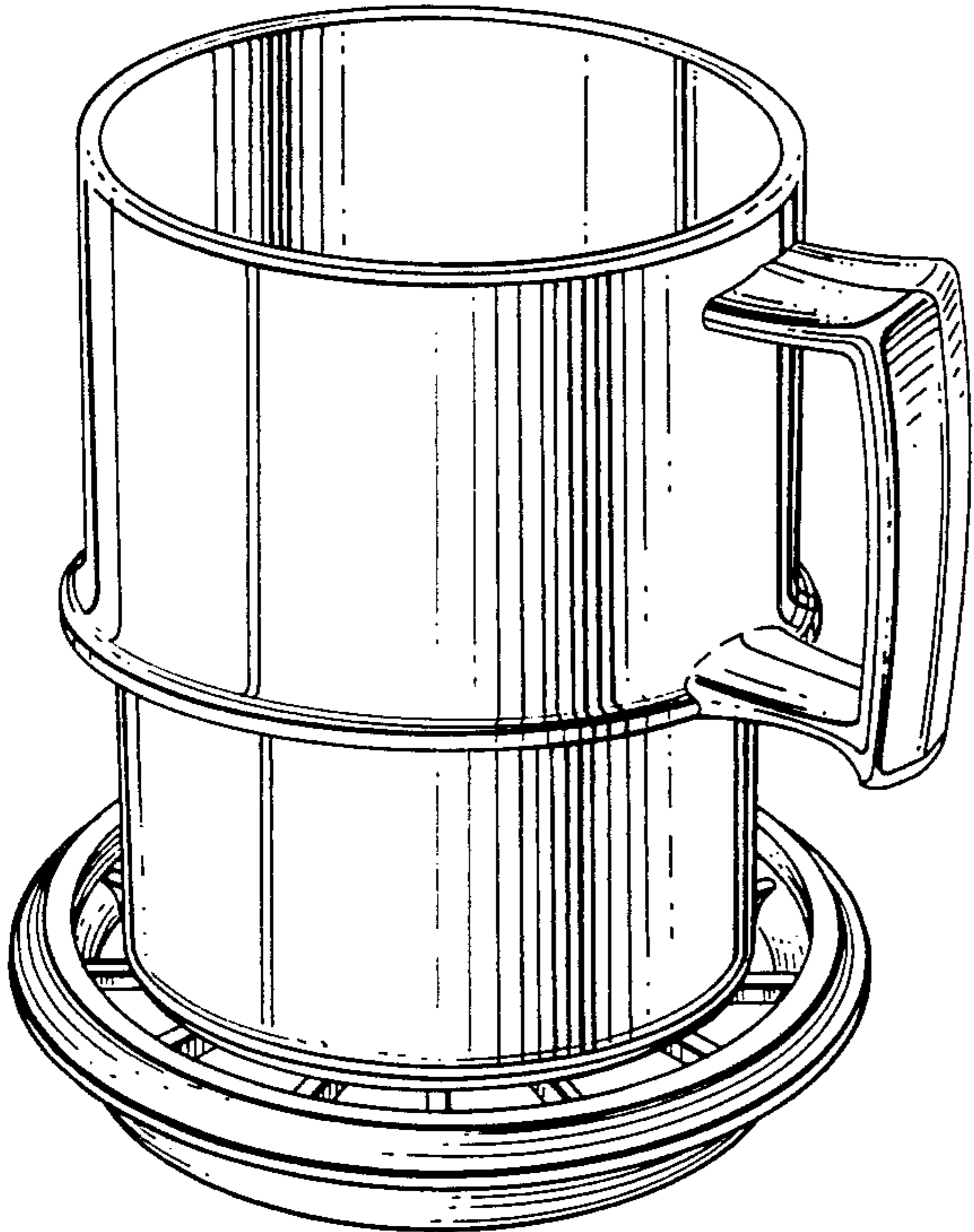


FIG.2

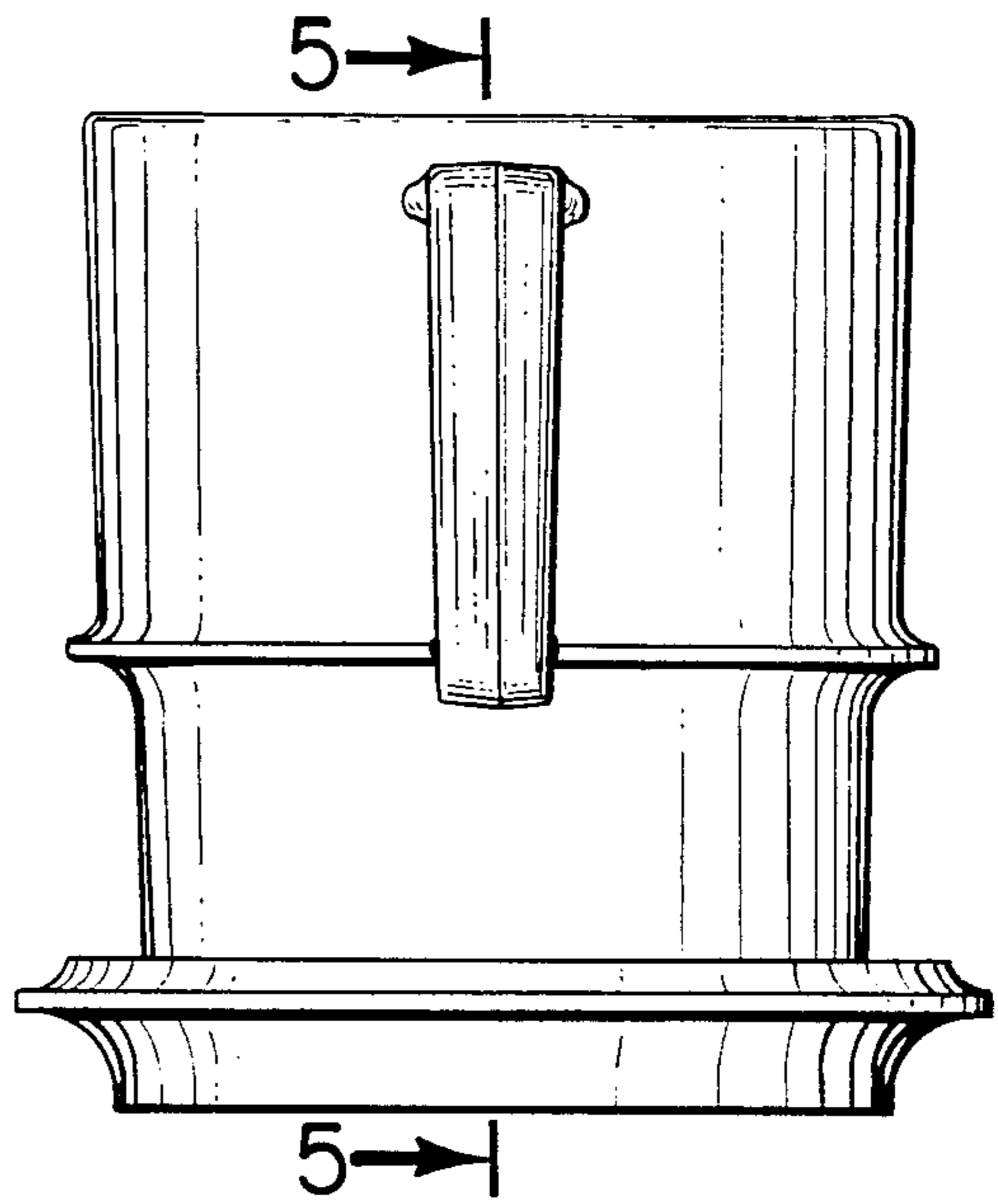


FIG.3

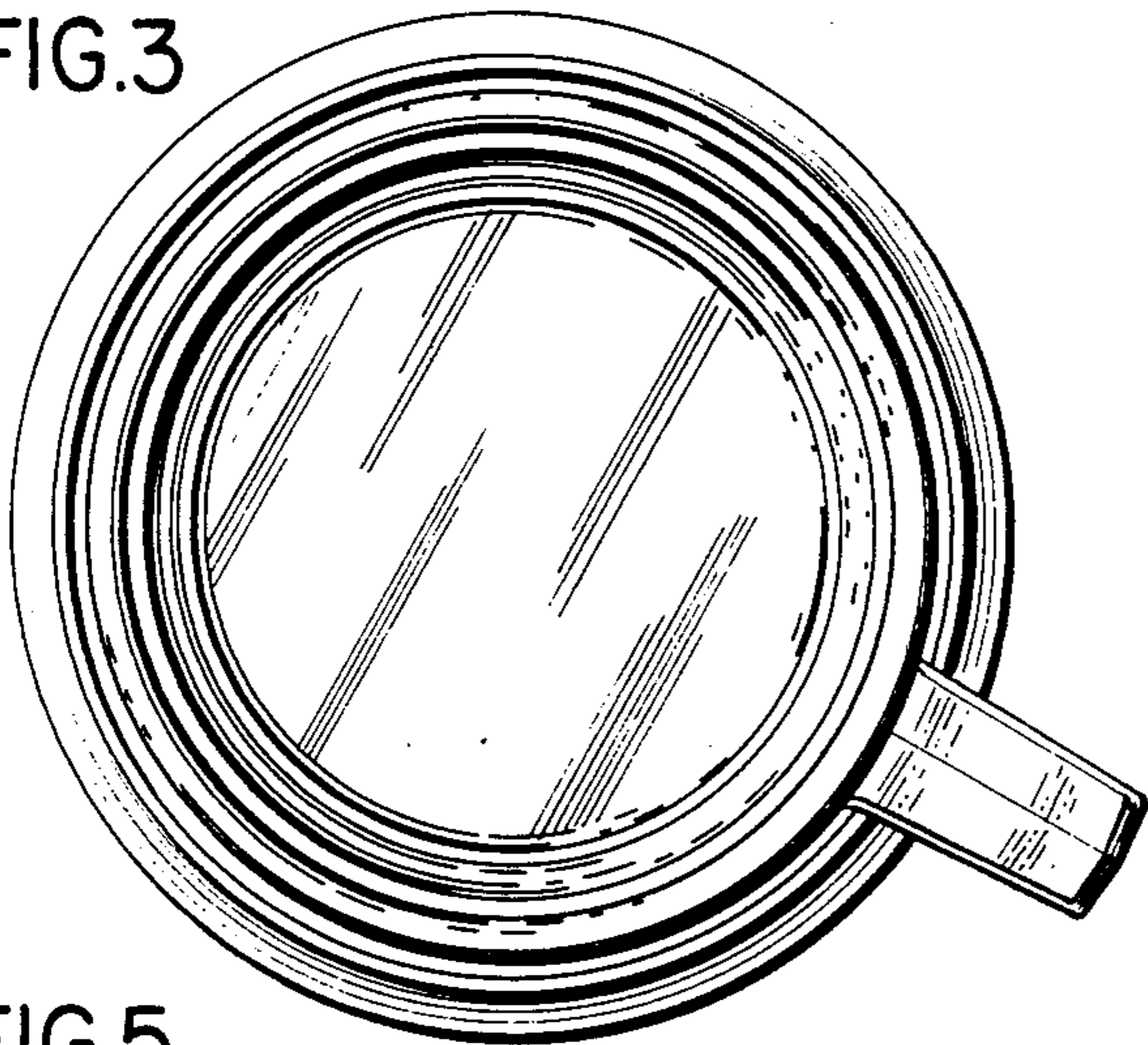


FIG.4

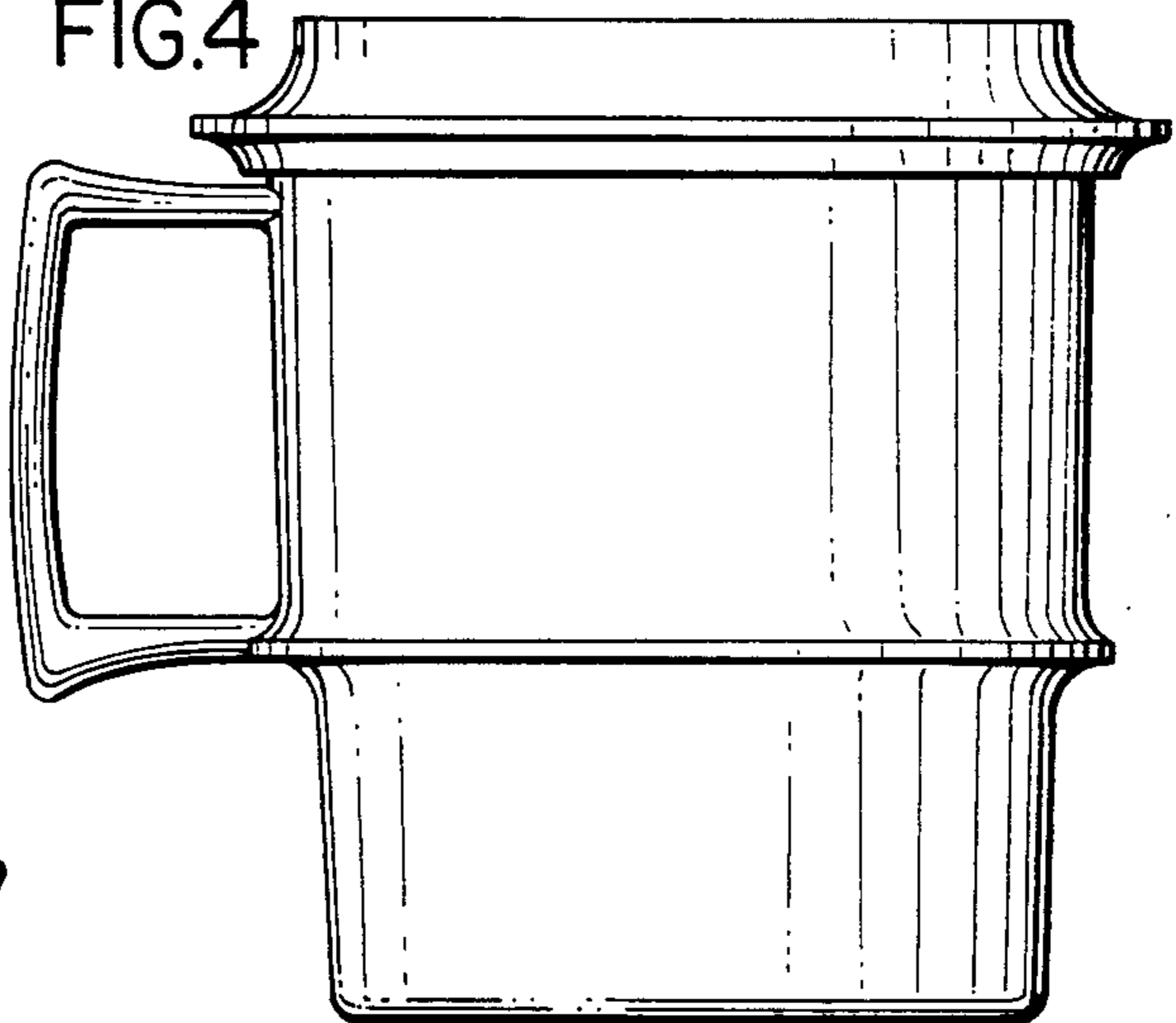


FIG.5

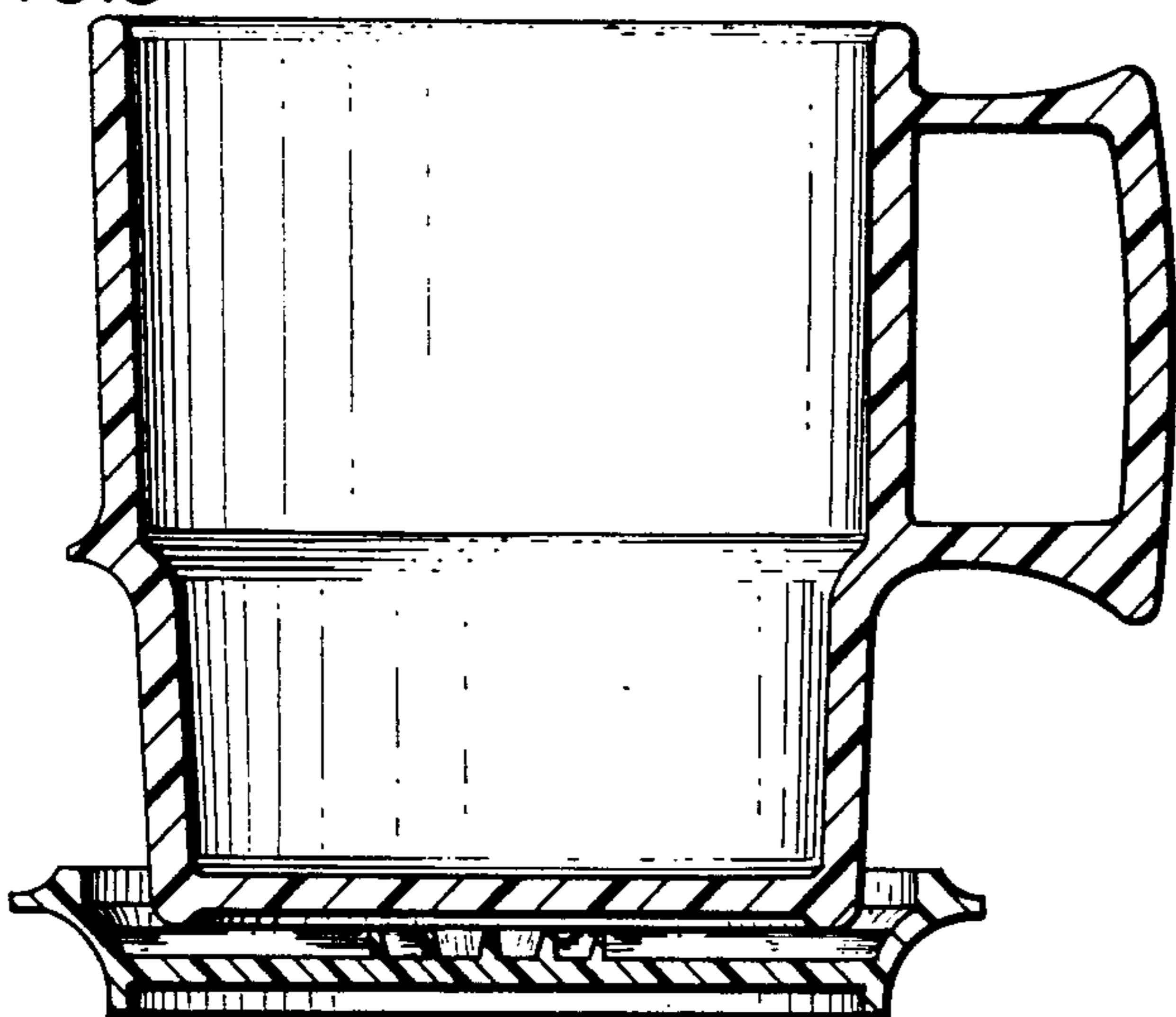


FIG.6

