

- [54] **SUSPENDIBLE PLANT RACK**
- [76] Inventors: **William M. Jones; John H. Jones,**
both of 8505 Tioga Ave., Cleveland,
Ohio 44105
- [**] Term: **14 Years**
- [21] Appl. No.: **817,202**
- [22] Filed: **Jul. 20, 1977**
- [51] Int. Cl. **D6-06; D6-04**
- [52] U.S. Cl. **D6/113; D6/134**
- [58] Field of Search **D6/20, 28, 85, 87, 93,**
D6/113, 132, 134-137, 179, 182, 186; D11/143,
148, 149, 152, 155; 47/66, 67, 70, 72, 39;
211/74, 75, 113, 115, 117, 118; 248/317, 318,
339; 108/149

806,893	12/1905	Holder	108/149
2,556,105	6/1951	Rhett	108/149

FOREIGN PATENT DOCUMENTS

475,670	6/1915	France	108/149
---------	--------	--------------	---------

Primary Examiner—Wallace R. Burke
Assistant Examiner—B. J. Bullock
Attorney, Agent, or Firm—Warren A. Sklar

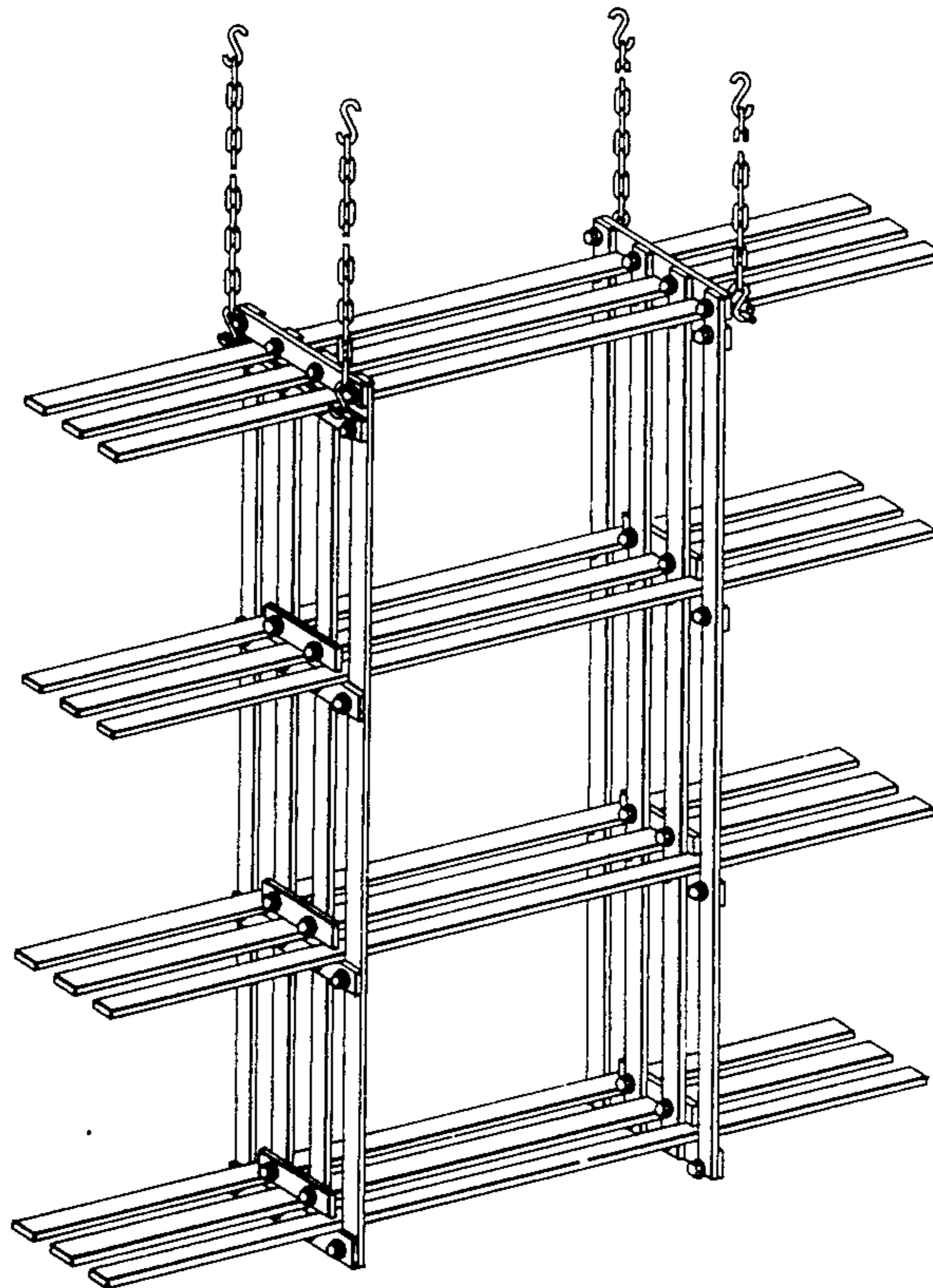
[57] **CLAIM**

The ornamental design for a suspendible plant rack, as shown.

DESCRIPTION

FIG. 1 is an isometric view of a suspendible plant rack showing our new design, the supporting chains shown broken away to indicate indeterminate length; FIG. 2 is a top plan view, the supporting chains omitted for ease of illustration; FIG. 3 is a side elevational view with the supporting chains fragmentarily shown; FIG. 4 is a bottom plan view.

- [56] **References Cited**
- U.S. PATENT DOCUMENTS**
- D. 157,000 1/1950 Rehns D6/134
- 275,027 4/1883 Drake 108/149



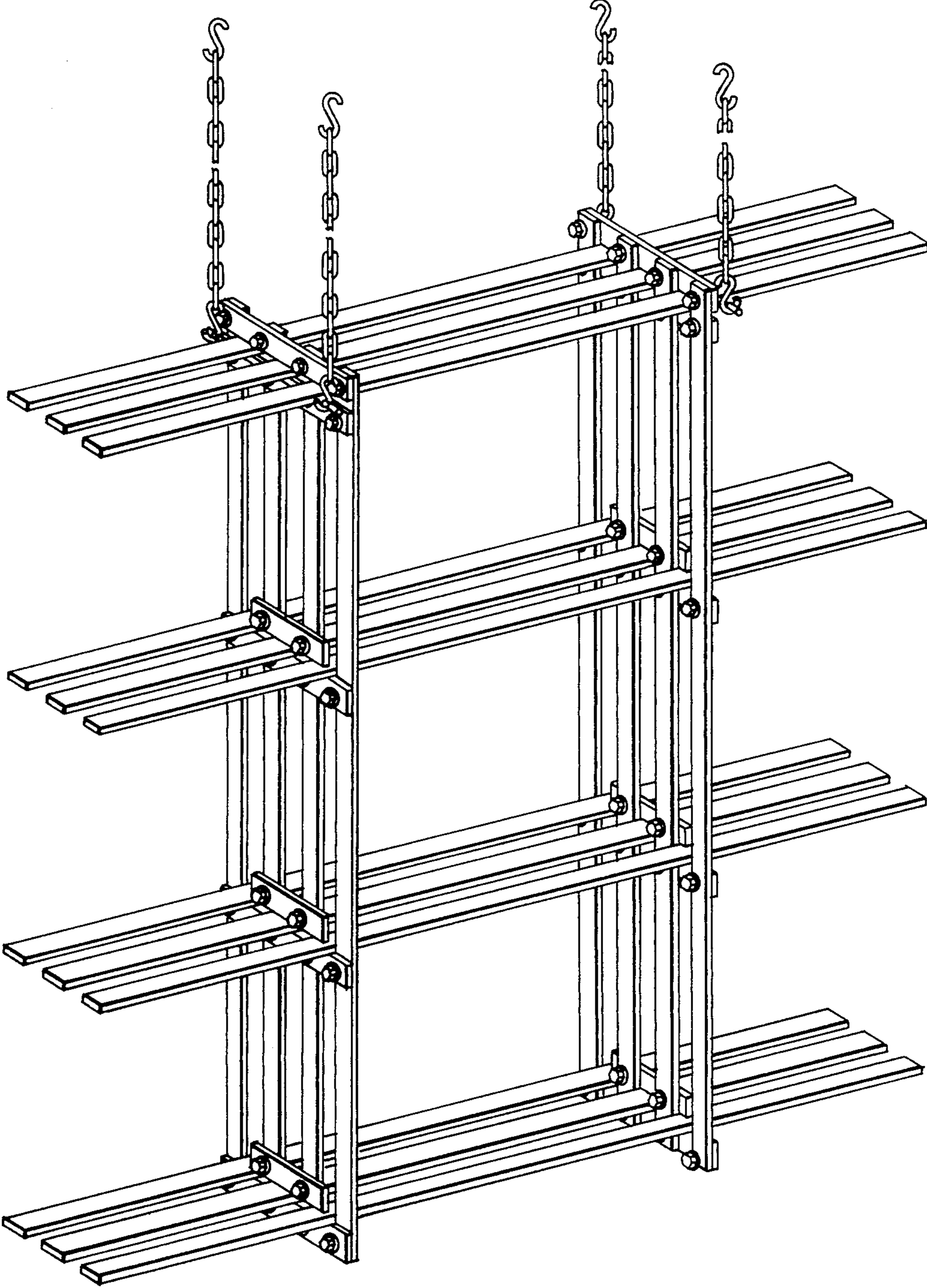


FIG. 1

FIG. 2

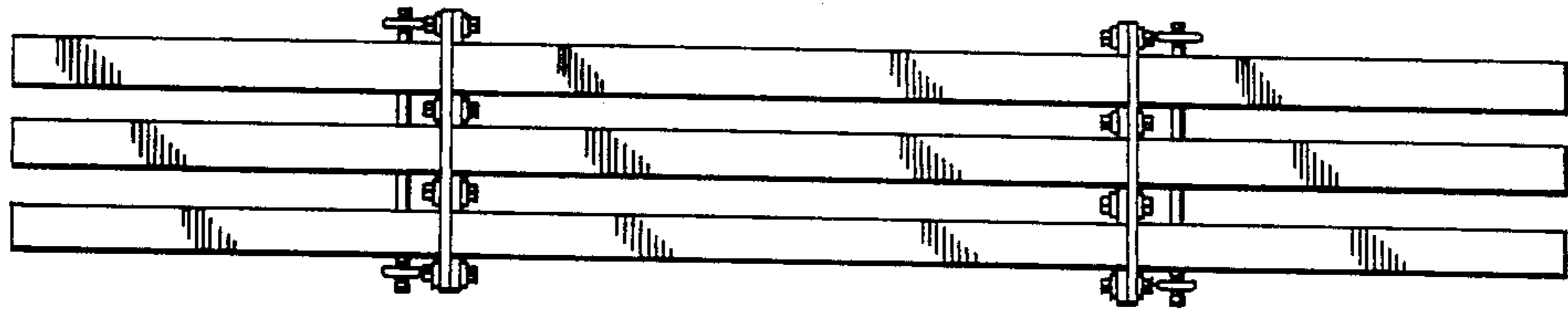
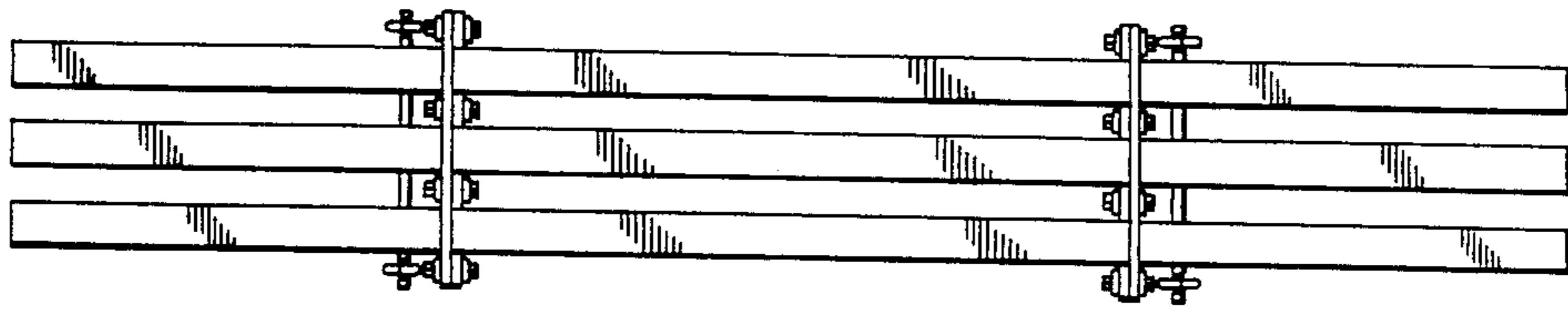


FIG. 4

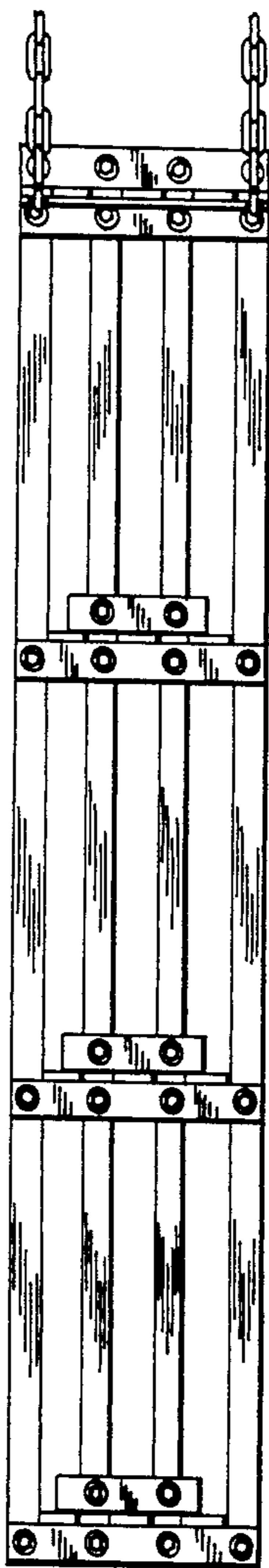


FIG. 3