

[54] UPHOLSTERED SEAT

[75] Inventor: Alberto Rosselli, Milan, Italy

[73] Assignee: Fratelli Saporiti

[**] Term: 14 Years

[21] Appl. No.: 667,157

[22] Filed: Mar. 15, 1976

[30] Foreign Application Priority Data

Sep. 15, 1975 Italy 60933/75[U]

[51] Int. Cl. D6-01

[52] U.S. Cl. D6/71; D6/63

[58] Field of Search D6/37, 39, 47, 26, 63, D6/64, 65, 66, 67, 68, 69, 70, 71, 30, 31, 73, 77, 78

[56] References Cited

U.S. PATENT DOCUMENTS

D. 235,087	5/1975	Fisher	D6/71
D. 238,915	2/1976	Long	D6/71
D. 243,372	2/1977	Denny	D6/71 X
3,695,691	10/1972	Putnam	D6/71 X

OTHER PUBLICATIONS

Interiors, 9-1974, p. 163, table top left.

Primary Examiner—Bruce W. Dunkins
Attorney, Agent, or Firm—Myron Cohen

[57] CLAIM

The ornamental design for an upholstered seat, substantially as shown and described.

DESCRIPTION

FIG. 1 is a front perspective view of my upholstered seat in the form of an easy chair;
 FIG. 2 is a typical end view of the easy chair of FIG. 1, this one shown from the right of said figure;
 FIG. 3 is a perspective view from the right rear of the easy chair of FIG. 1;
 FIG. 4 is a bottom view of said chair;
 FIG. 5 is a front perspective view of my upholstered seat in the form of a loveseat;
 FIG. 6 is a perspective view from the rear of the loveseat of FIG. 5;
 FIG. 7 is a perspective view of the loveseat looking from the front and left of FIG. 5;
 FIG. 8 is a front perspective view of the upholstered seat shown in the form of a three-seater sofa;
 FIG. 9 is a perspective view of the sofa similar to FIG. 7; and
 FIG. 10 is a rear elevational view of said sofa.

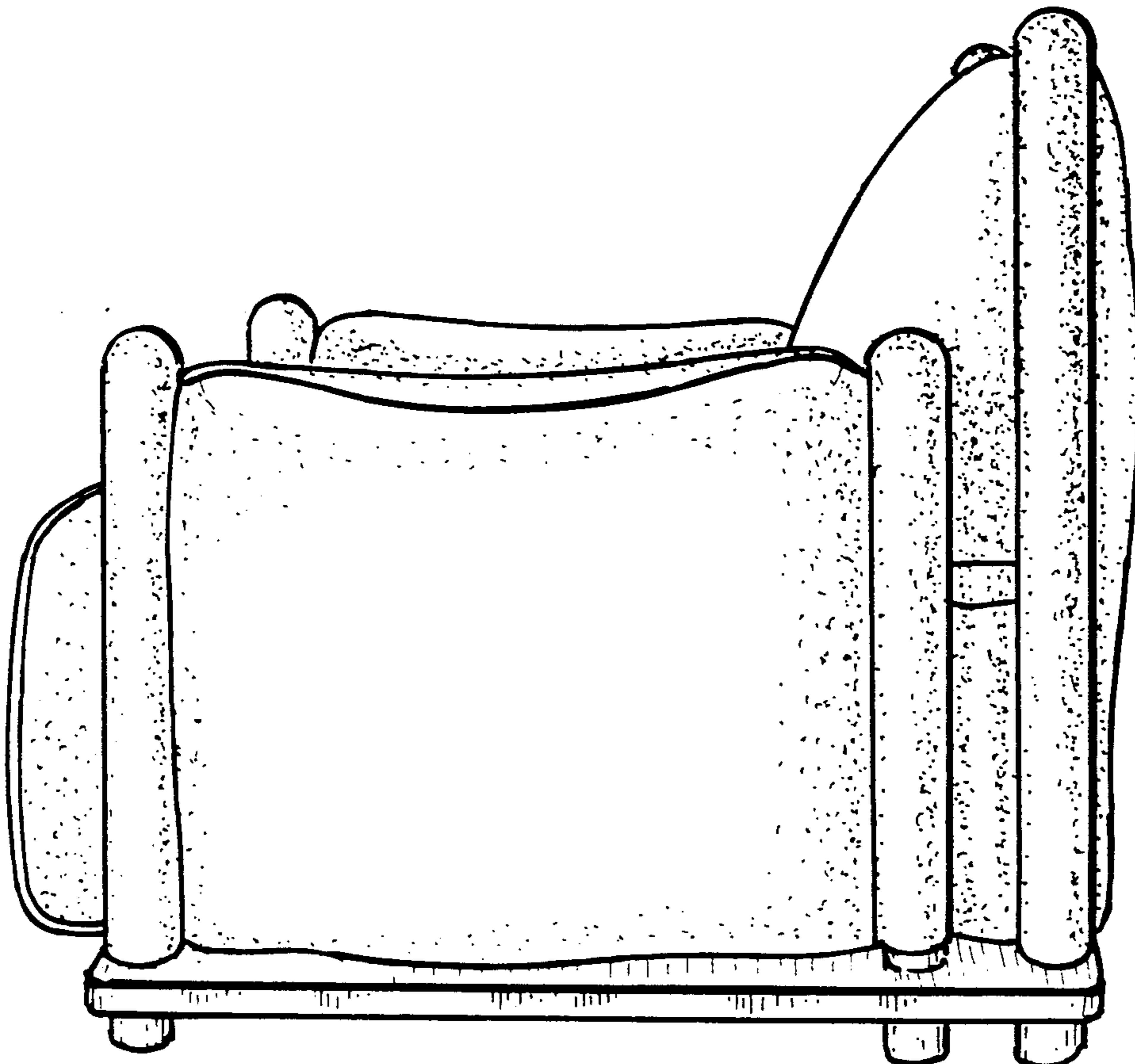


FIG. 1.

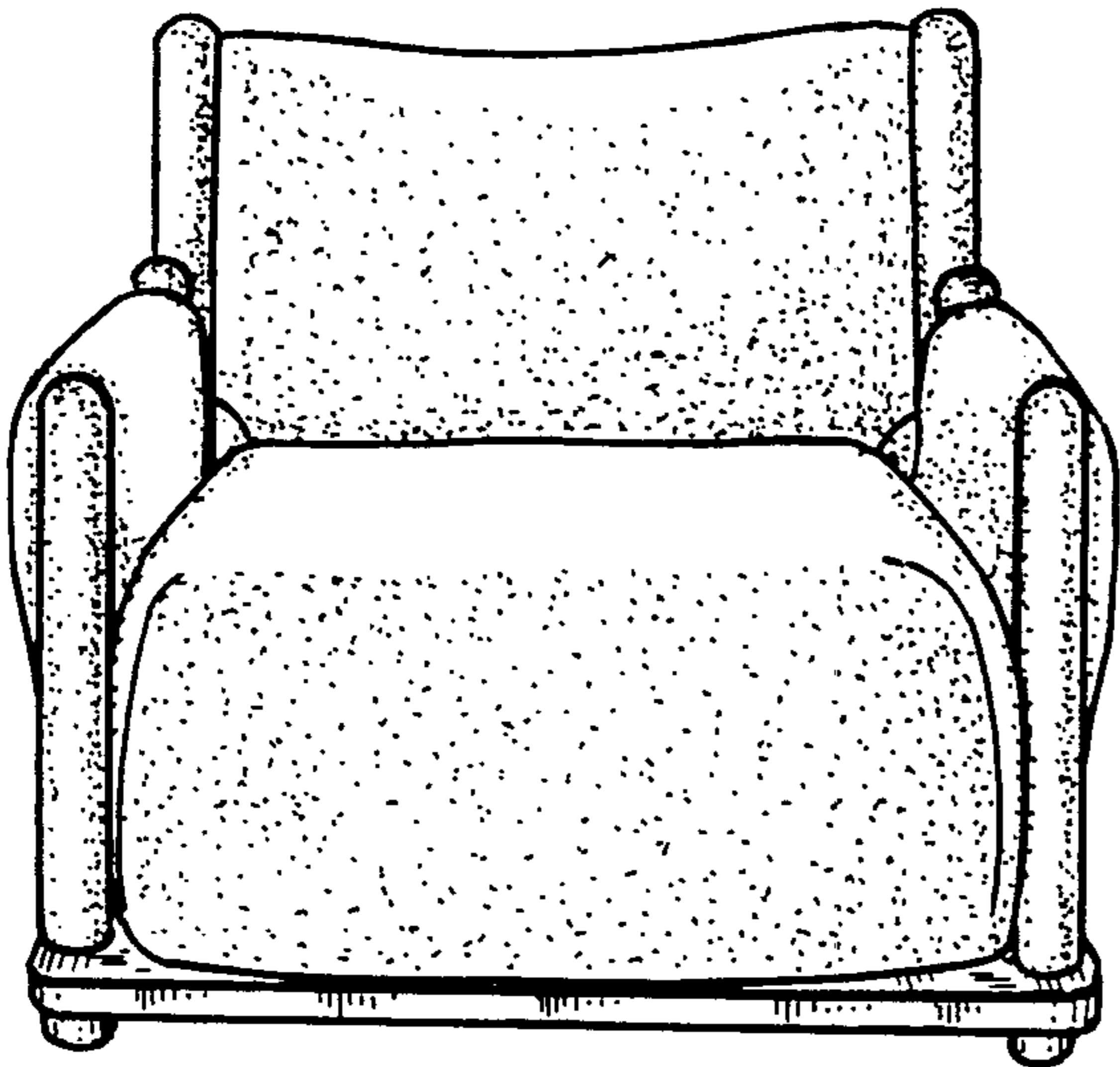


FIG. 2.

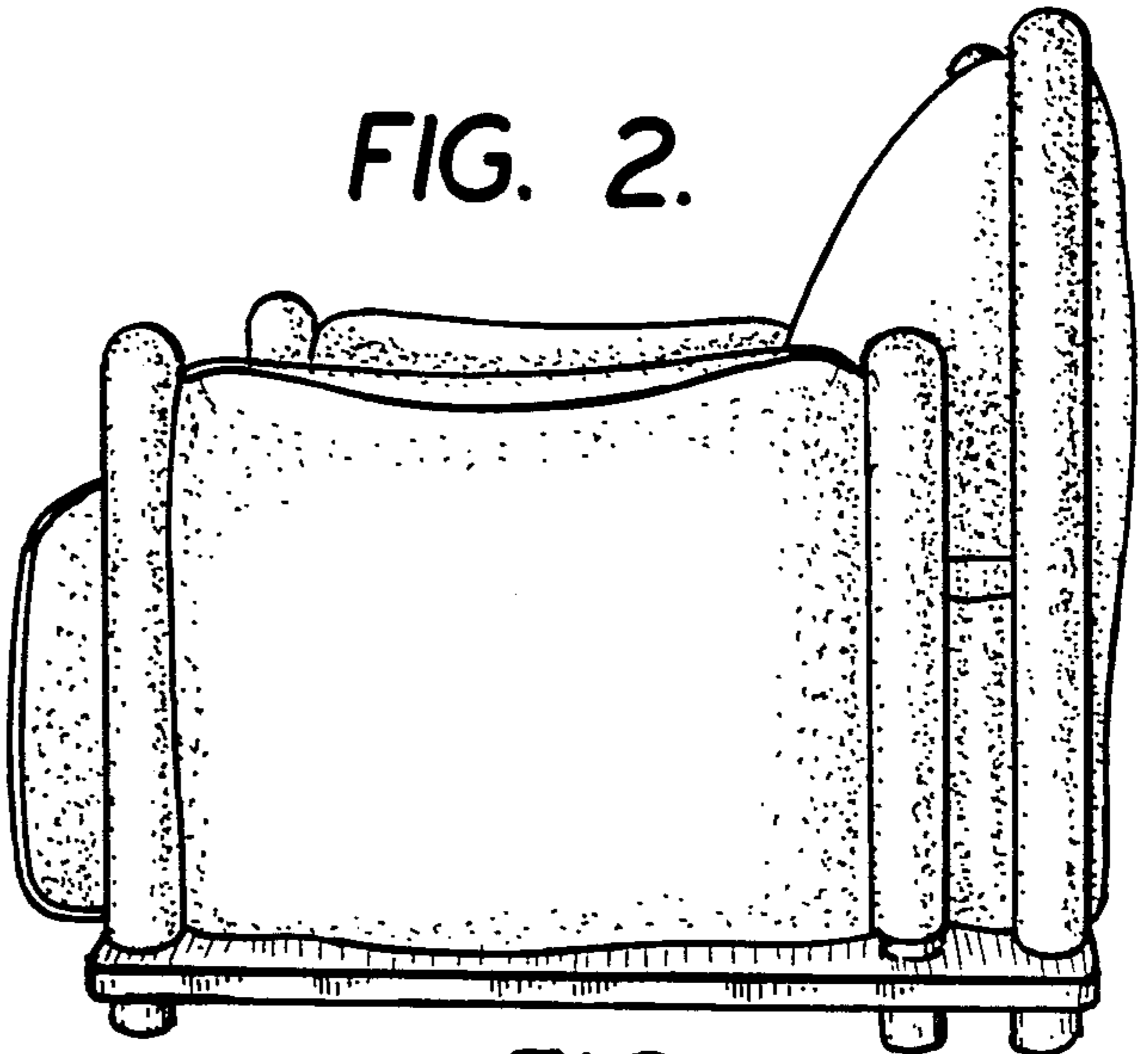


FIG. 3.

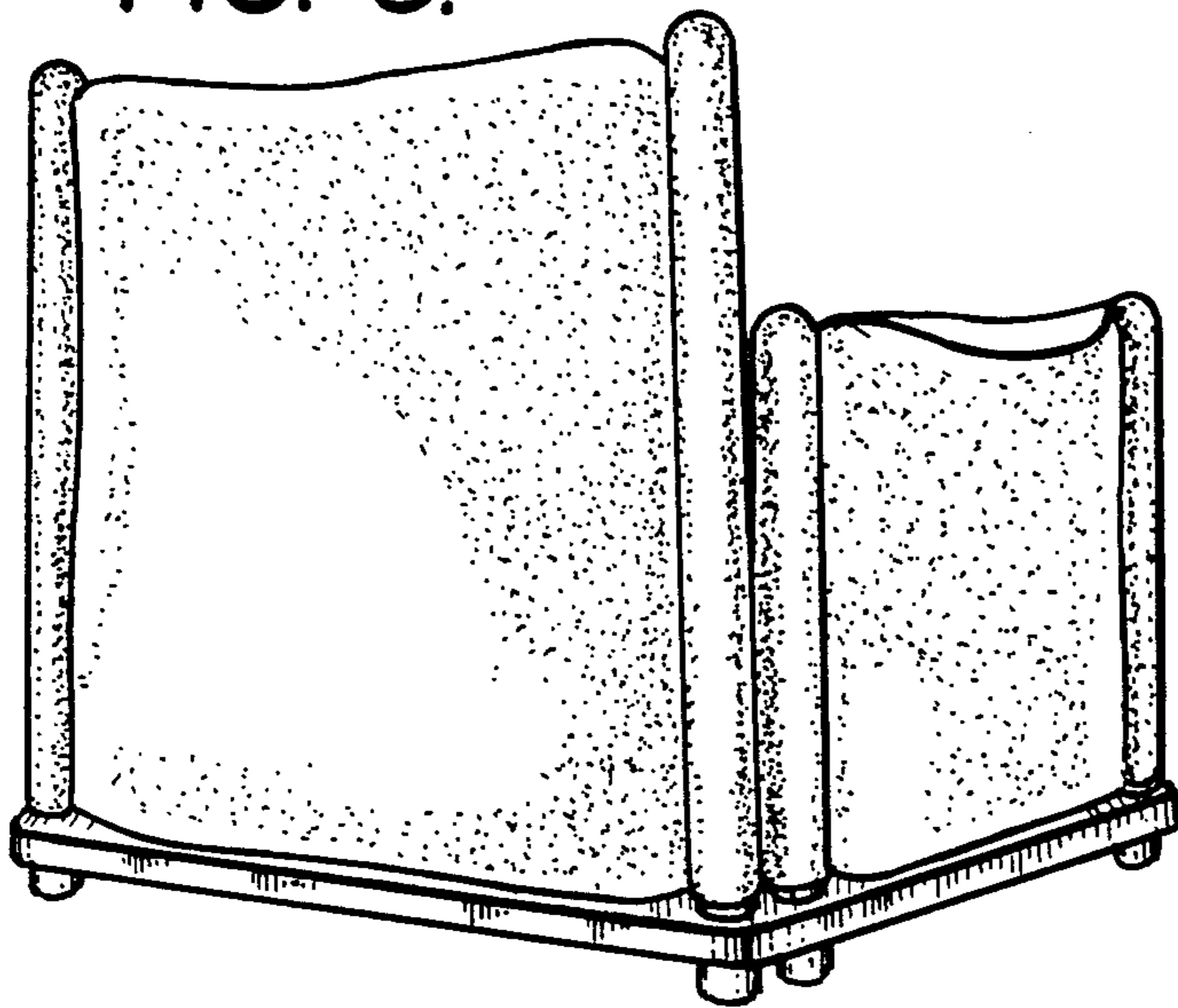


FIG. 4.

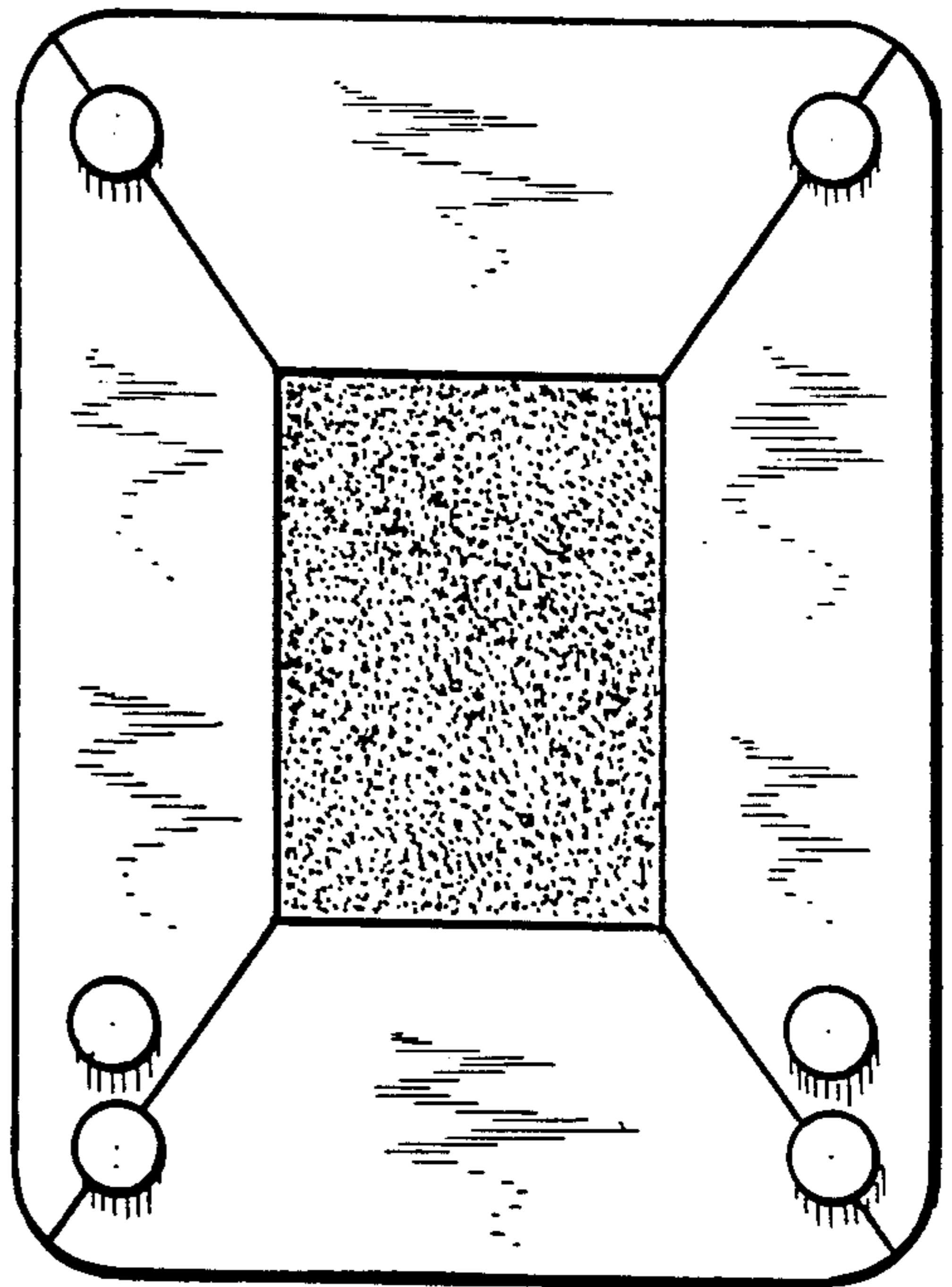


FIG. 5.

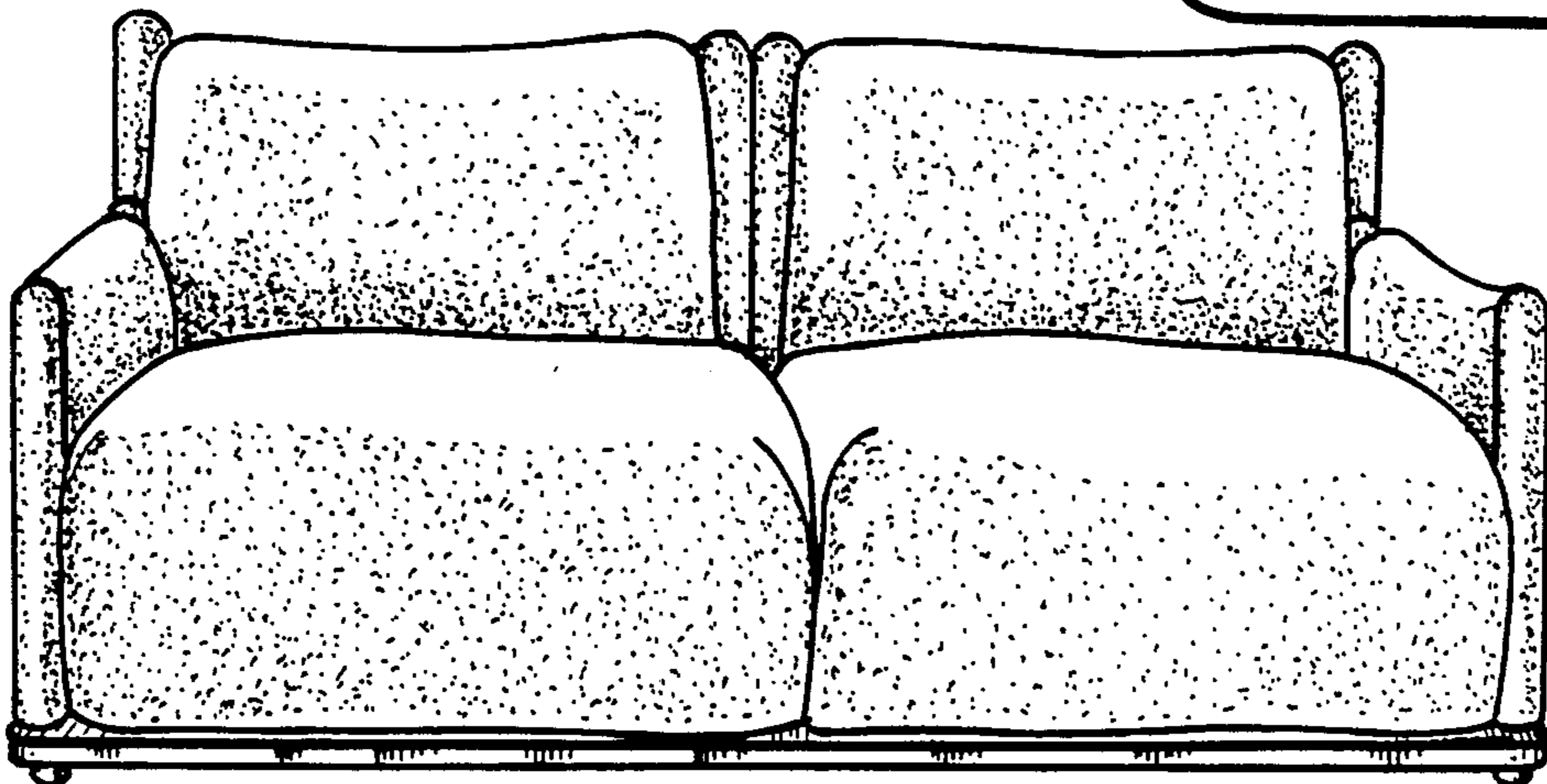


FIG. 6.

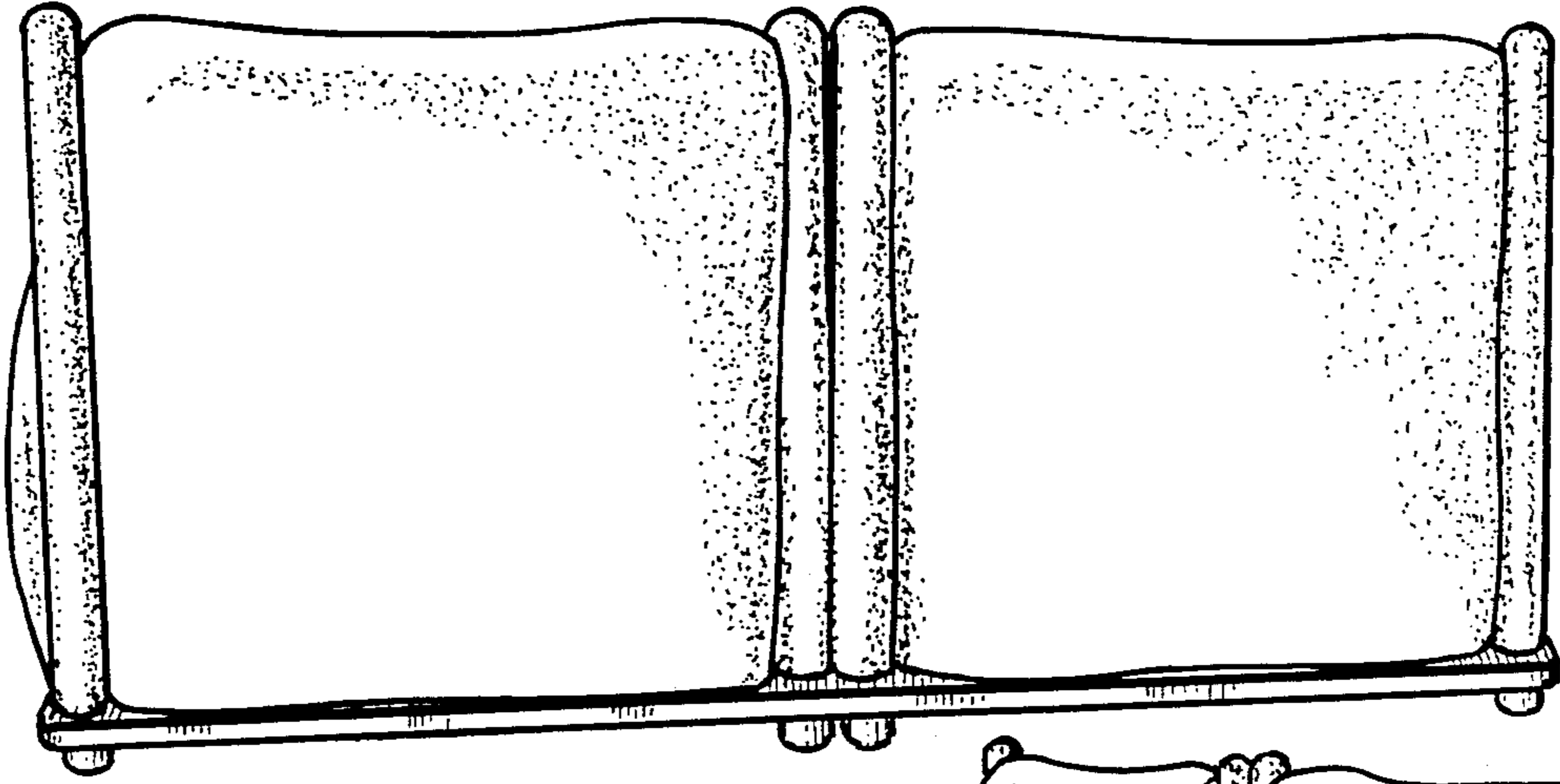


FIG. 7.

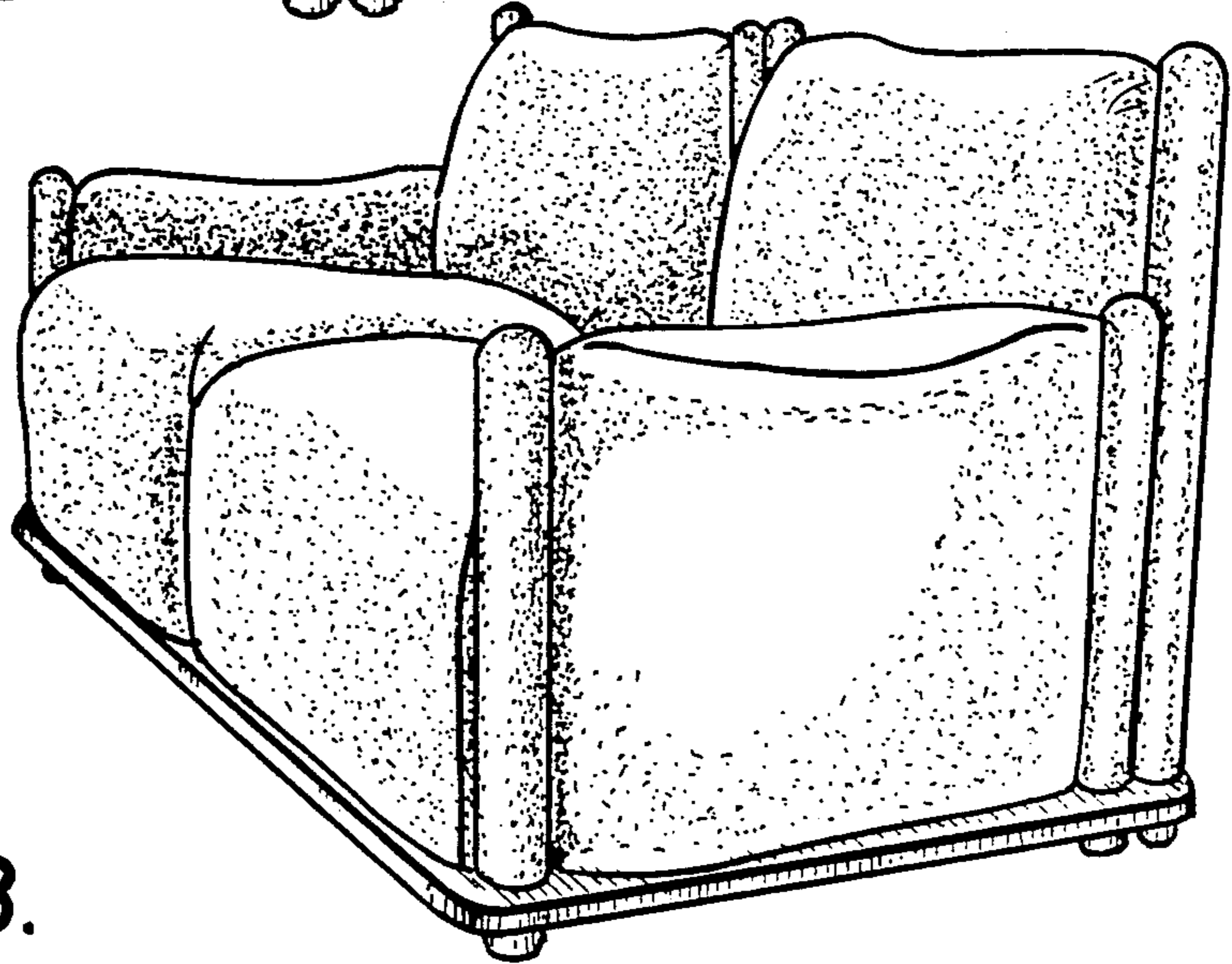


FIG. 8.

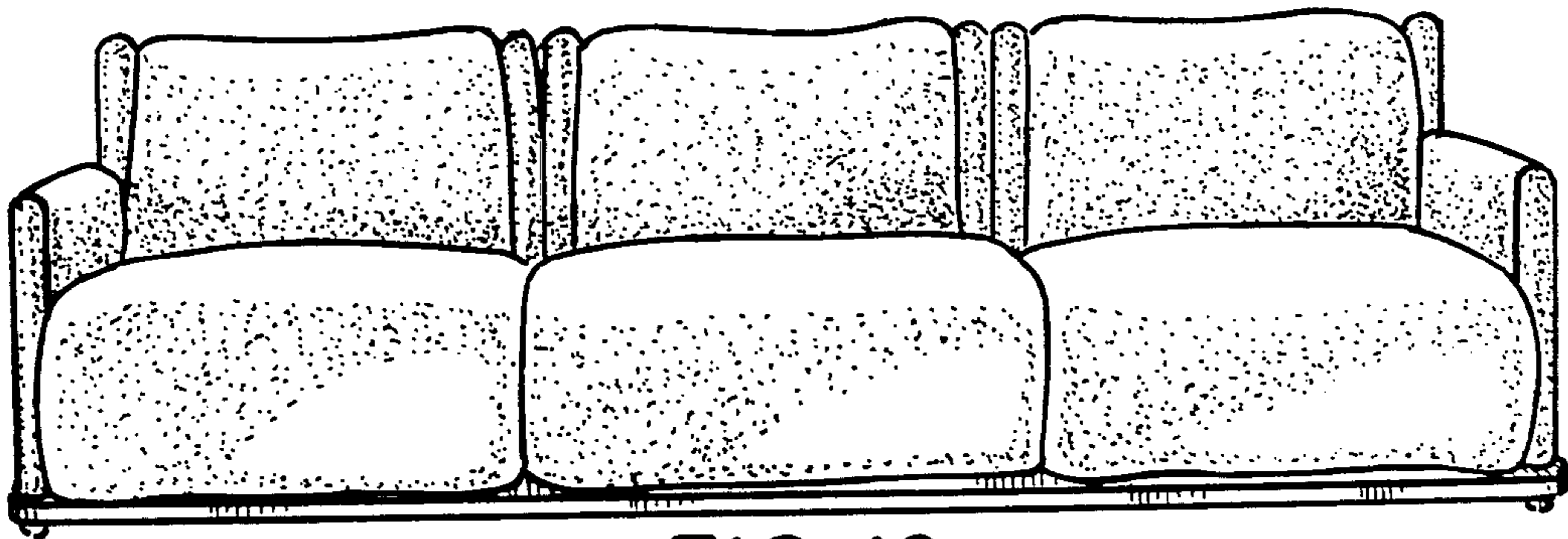


FIG. 10.

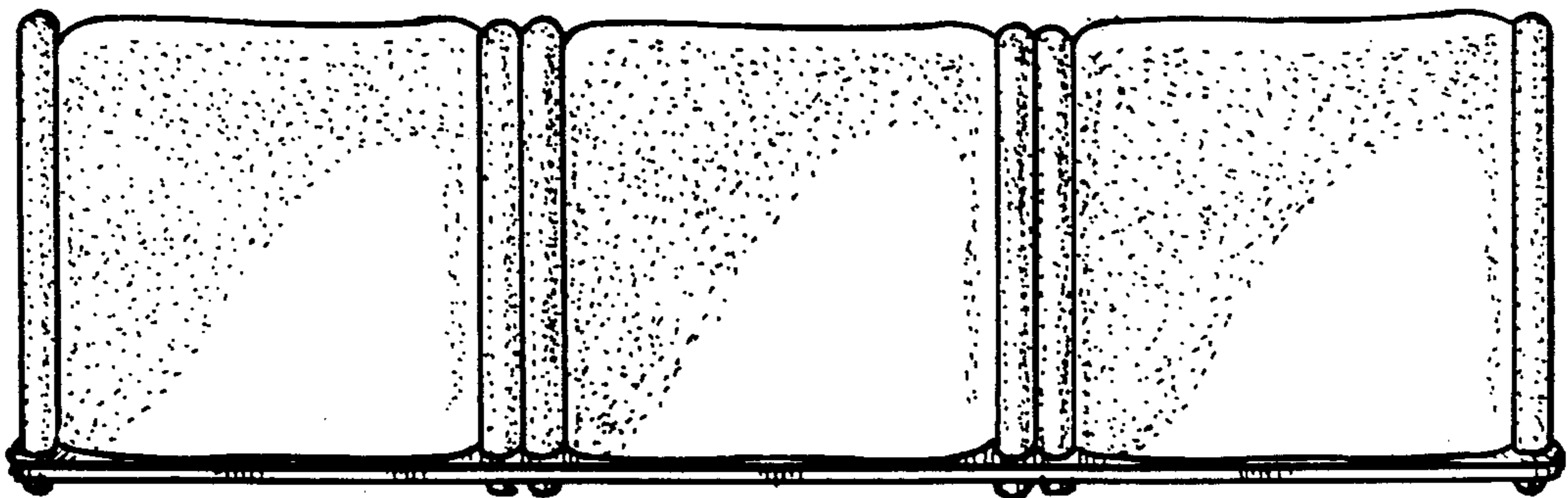


FIG. 9.

