

[54] PATIO SWING OR SIMILAR ARTICLE

[75] Inventors: Robert B. Kearns, Shaker Heights;  
James L. Humphries, Painesville,  
both of Ohio

[73] Assignee: Production Experts, Inc., Cleveland,  
Ohio

[\*\*] Term: 14 Years

[21] Appl. No.: 724,566

[22] Filed: Sep. 20, 1976

[51] Int. Cl. .... D6-01

[52] U.S. Cl. .... D6/52

[58] Field of Search ..... D6/49, 50, 52, 54, 59,  
D6/60, 63, 67, 70, 76

[56] References Cited

U.S. PATENT DOCUMENTS

D. 123,278	10/1940	Rink .....	D6/54
D. 141,676	6/1945	Cosme .....	D6/52
D. 185,540	6/1959	Everly .....	D6/60
3,321,780	5/1967	Morris .....	D6/53 X

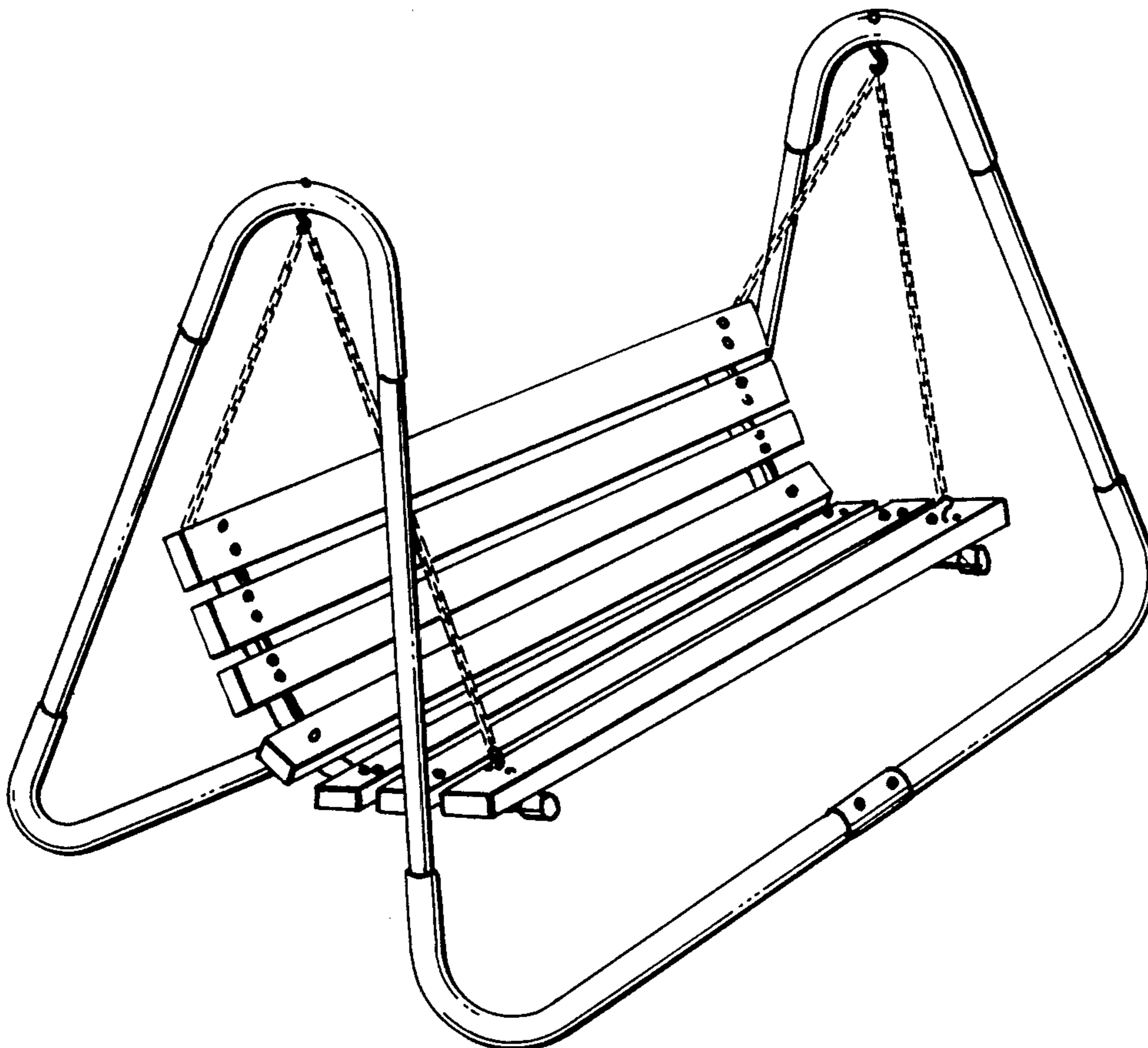
Primary Examiner—Bruce W. Dunkins  
Attorney, Agent, or Firm—William Isler

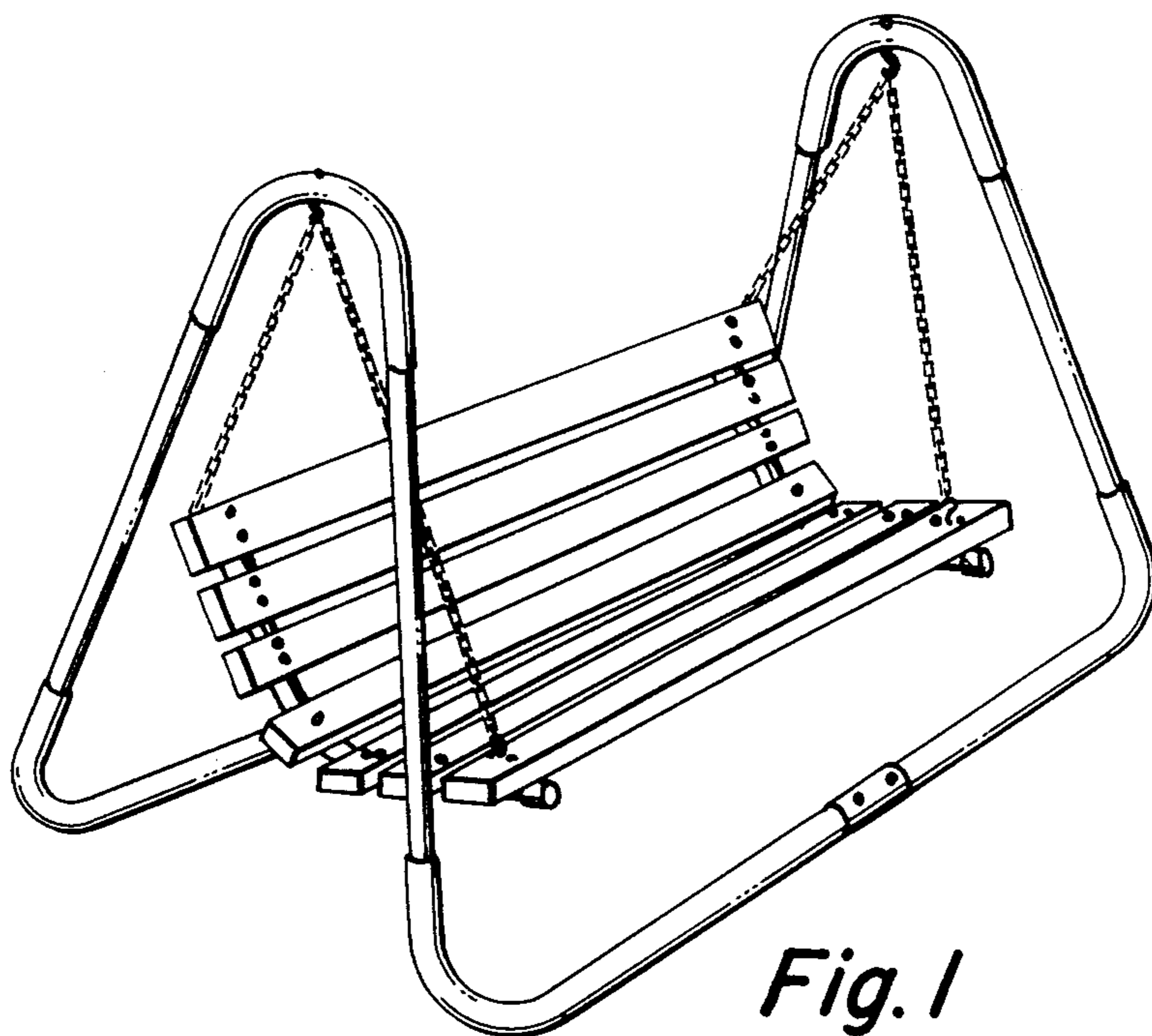
[57] CLAIM

The ornamental design for a patio swing or similar article, substantially as shown.

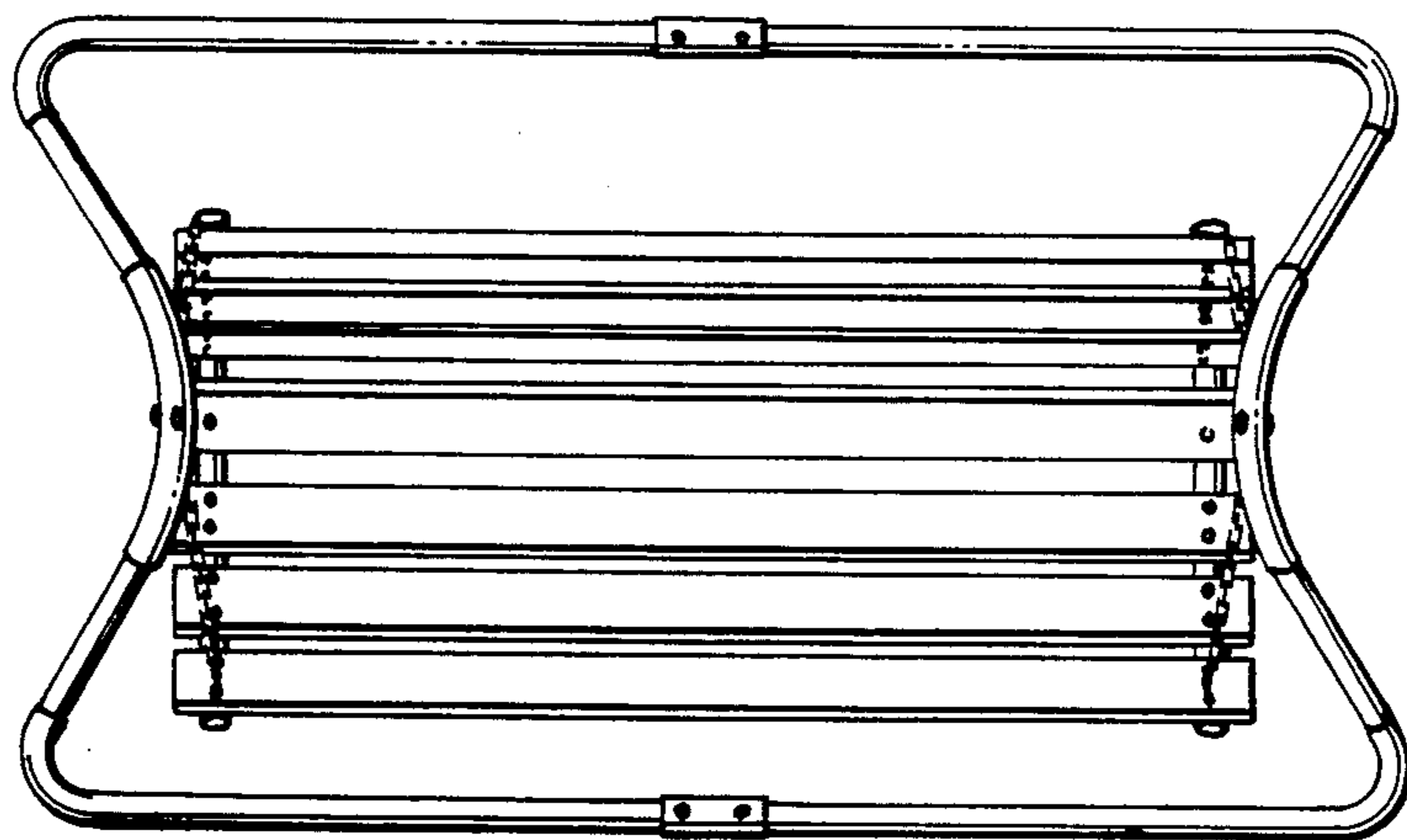
DESCRIPTION

FIG. 1 is a perspective view of a patio swing or similar article showing our new design;  
FIG. 2 is a top plan view;  
FIG. 3 is a front elevational view;  
FIG. 4 is a rear elevational view; and  
FIG. 5 is an end elevational view thereof.

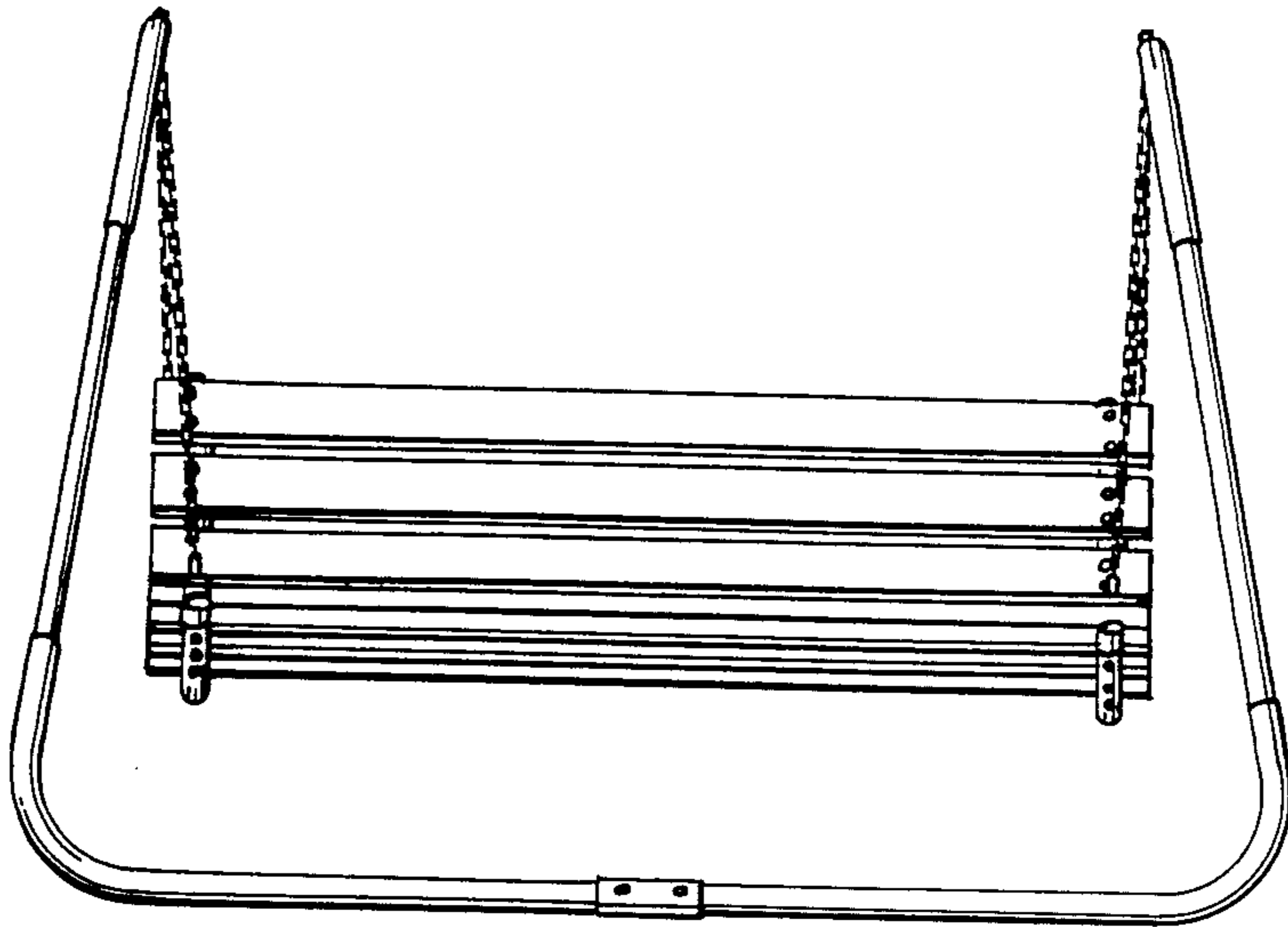




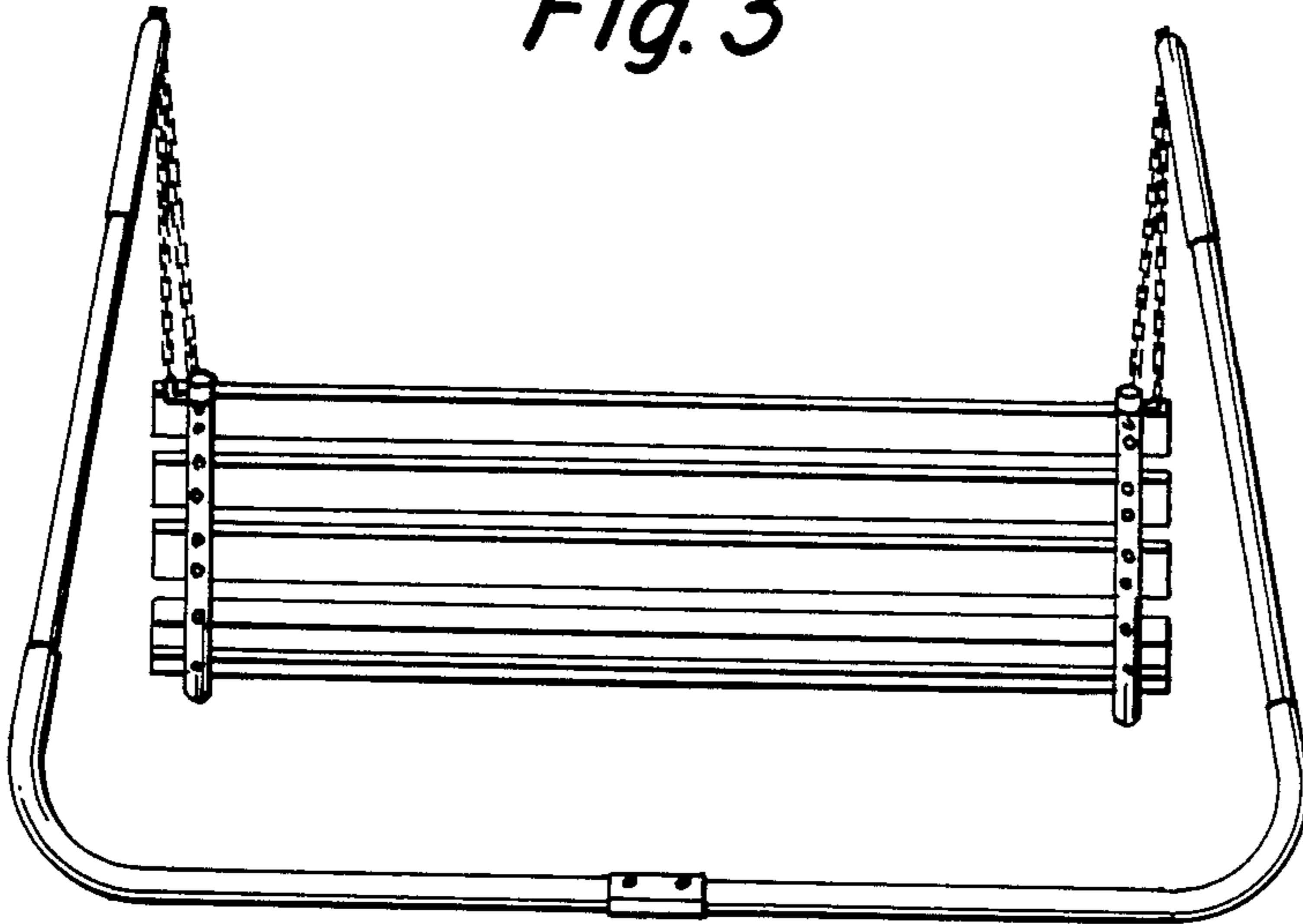
*Fig. 1*



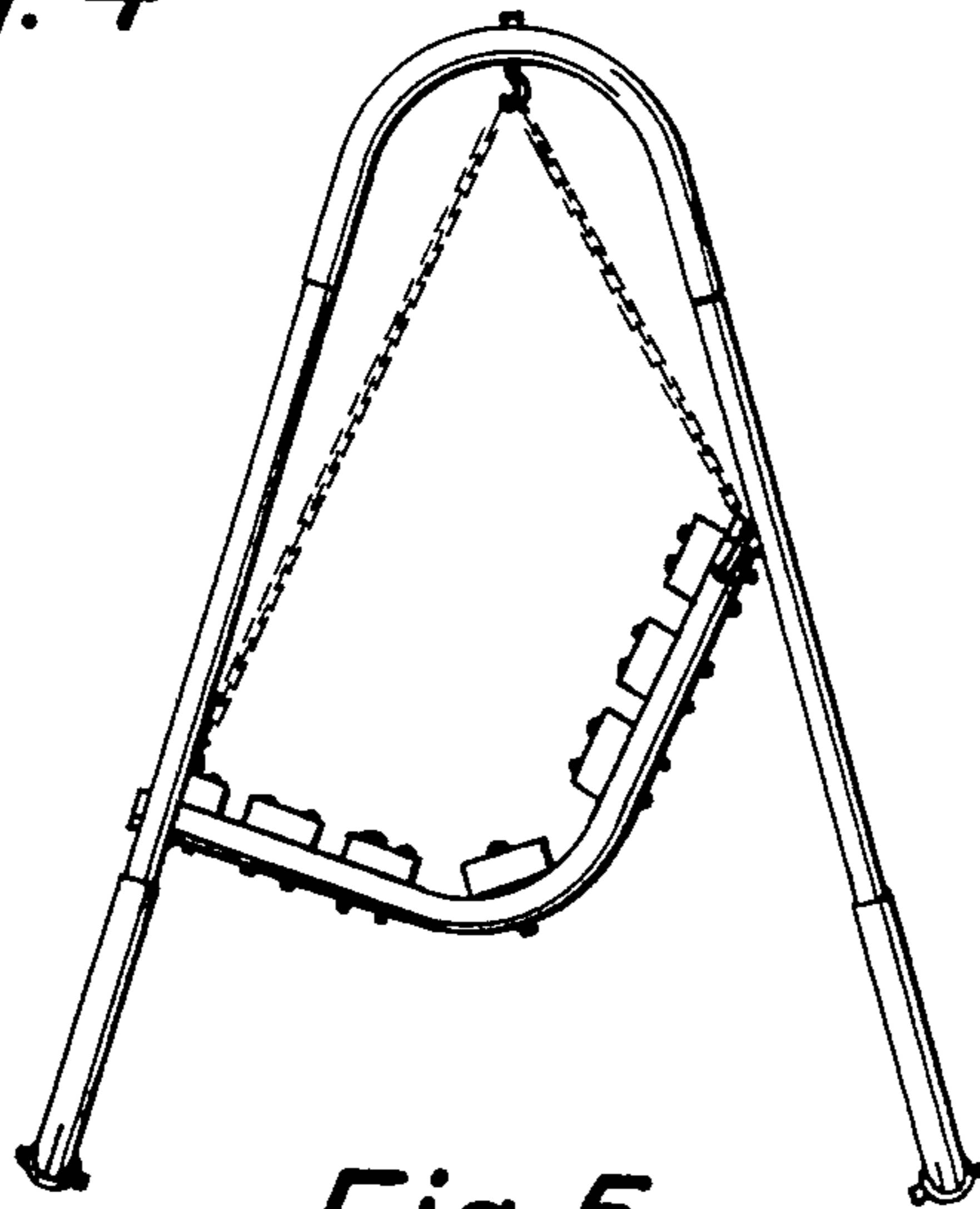
*Fig. 2*



*Fig. 3*



*Fig. 4*



*Fig. 5*