

[54] COMBINED ORAL JET CLEANSING HOUSING AND COVER THEREFOR

[75] Inventor: Franz Alban Stuetzer, Muehlheim, Main, Germany

[73] Assignee: Rowenta-Werke, GmbH, Offenbach am Main, Germany

[\*\*] Term: 14 Years

[21] Appl. No.: 787,336

[22] Filed: Apr. 14, 1977

[30] Foreign Application Priority Data  
Oct. 22, 1976 Germany ..... 9974

[51] Int. Cl. .... D24-03

[52] U.S. Cl. .... D24/15

[58] Field of Search ..... D24/15; 128/66

[56] References Cited

U.S. PATENT DOCUMENTS

D. 210,020	1/1968	Mackay et al. ....	D24/15
D. 216,492	1/1970	Johnson et al. ....	D24/15
D. 220,334	3/1971	Mackay et al. ....	D24/15
D. 222,862	1/1972	Cook .....	D24/15
3,467,083	9/1969	Mattingly .....	128/66
3,578,884	5/1971	Jacobson .....	128/66

Primary Examiner—Bernard Ansher  
Attorney, Agent, or Firm—George R. Clark

[57] CLAIM

The ornamental design for a combined oral jet cleansing housing and cover therefor, as shown.

DESCRIPTION

FIG. 1 is a perspective view of an oral jet rinse housing and cover showing my new design including the top, front and one side thereof with the cover removed from the housing;

FIG. 2 is a top plan view thereof with the cover on the housing;

FIG. 3 is a rear elevational view thereof; and

FIG. 4 is a side elevational view of the side opposite that shown in FIG. 1.

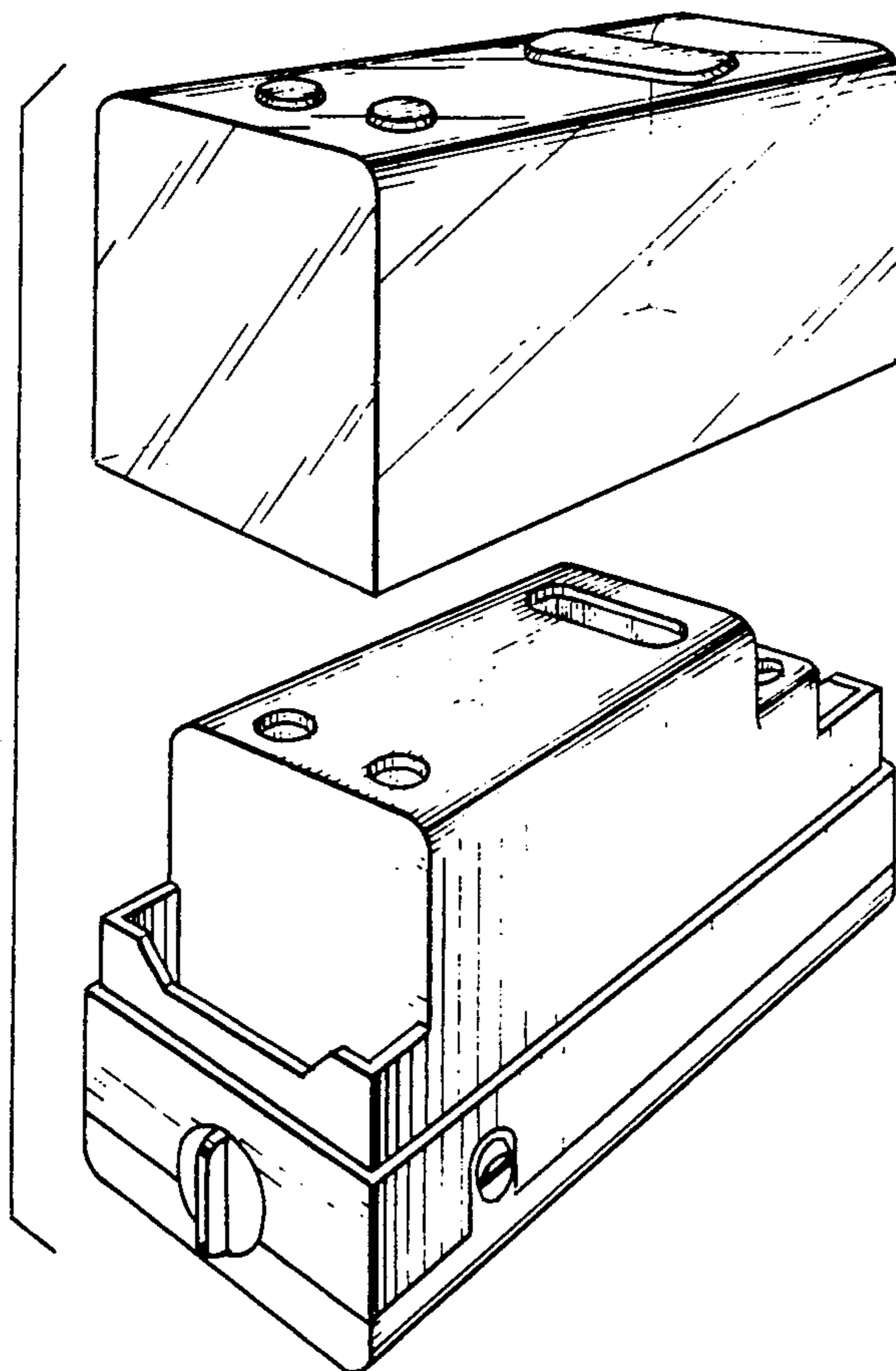


Fig. 1.

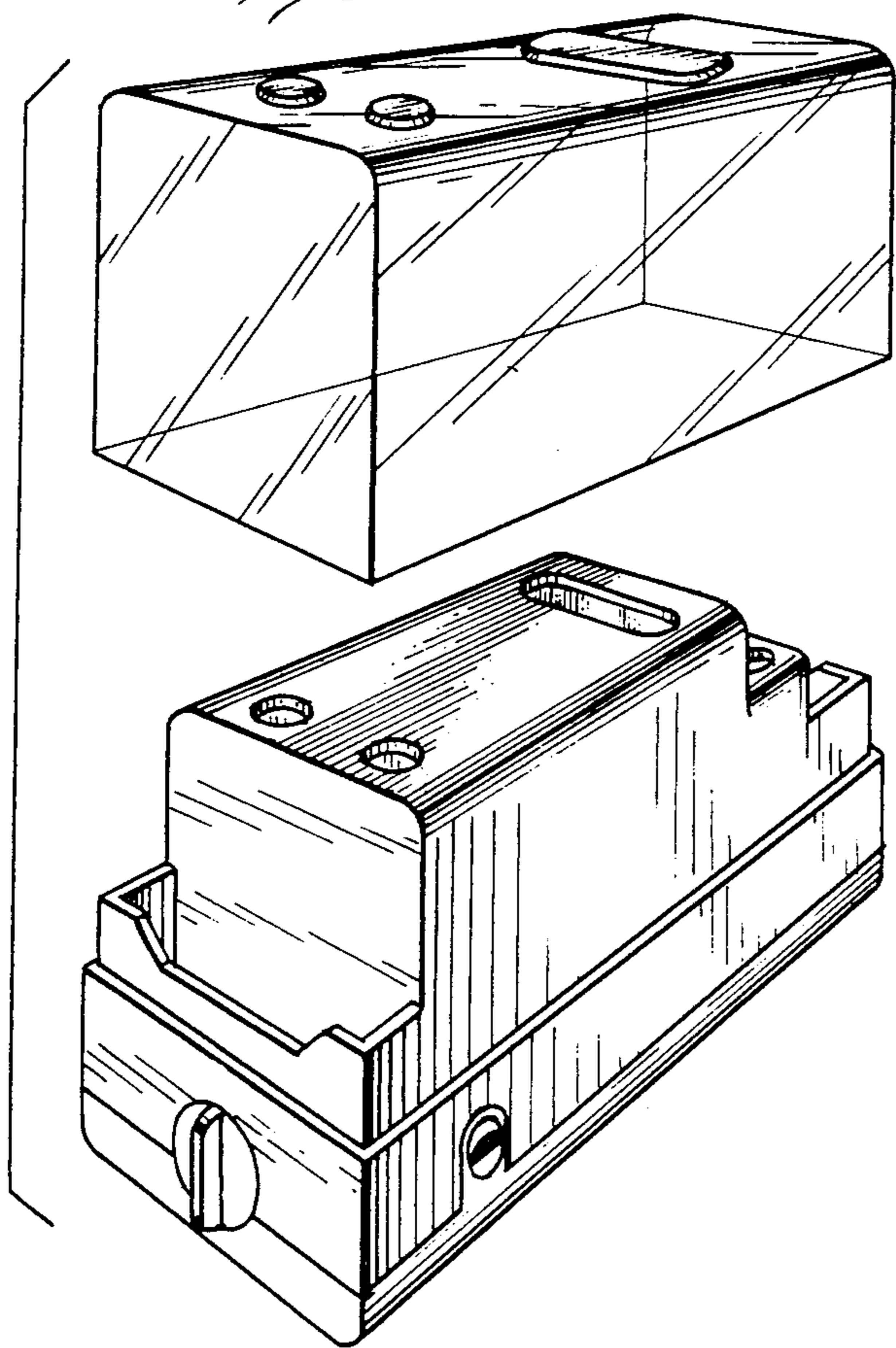


Fig. 2.

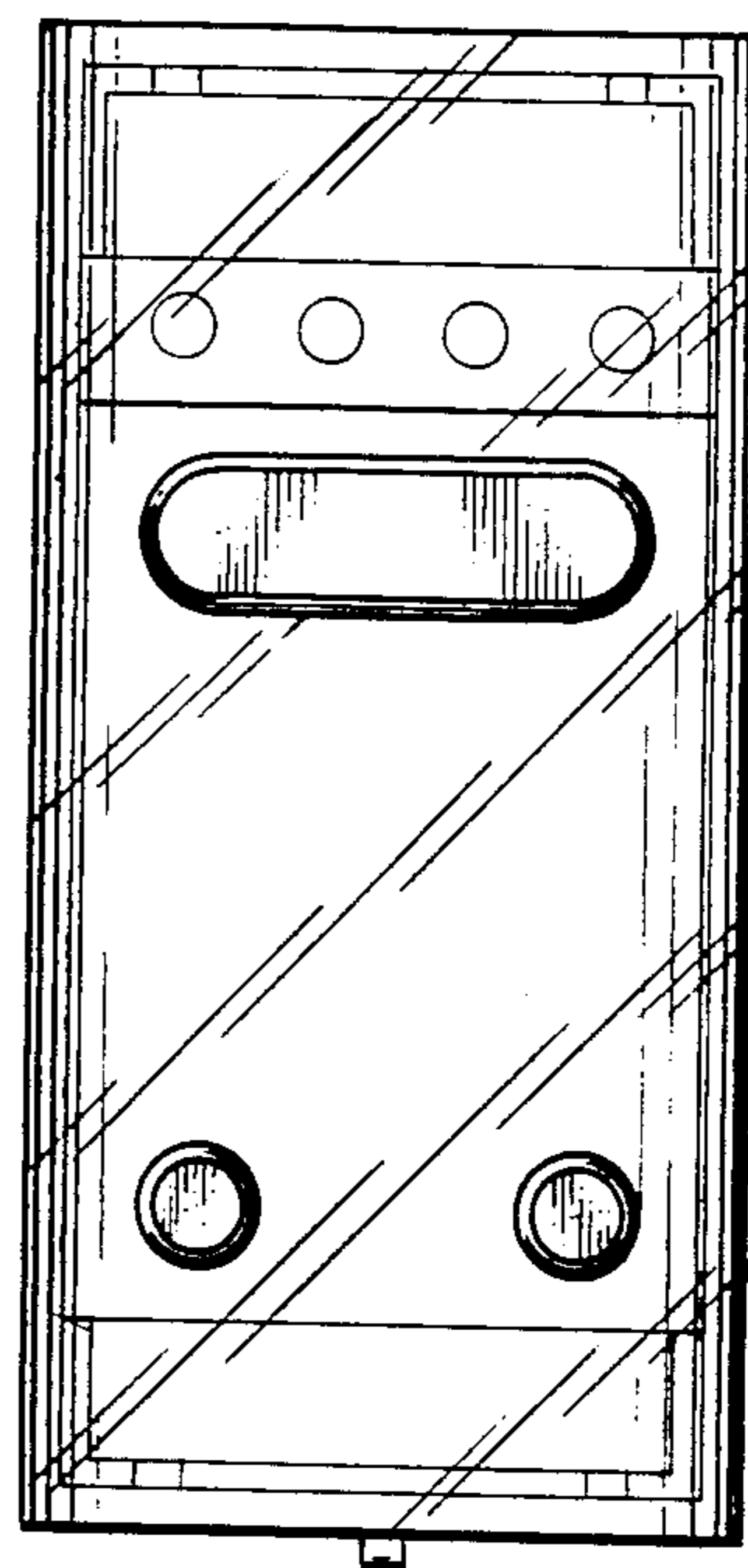


Fig. 3.

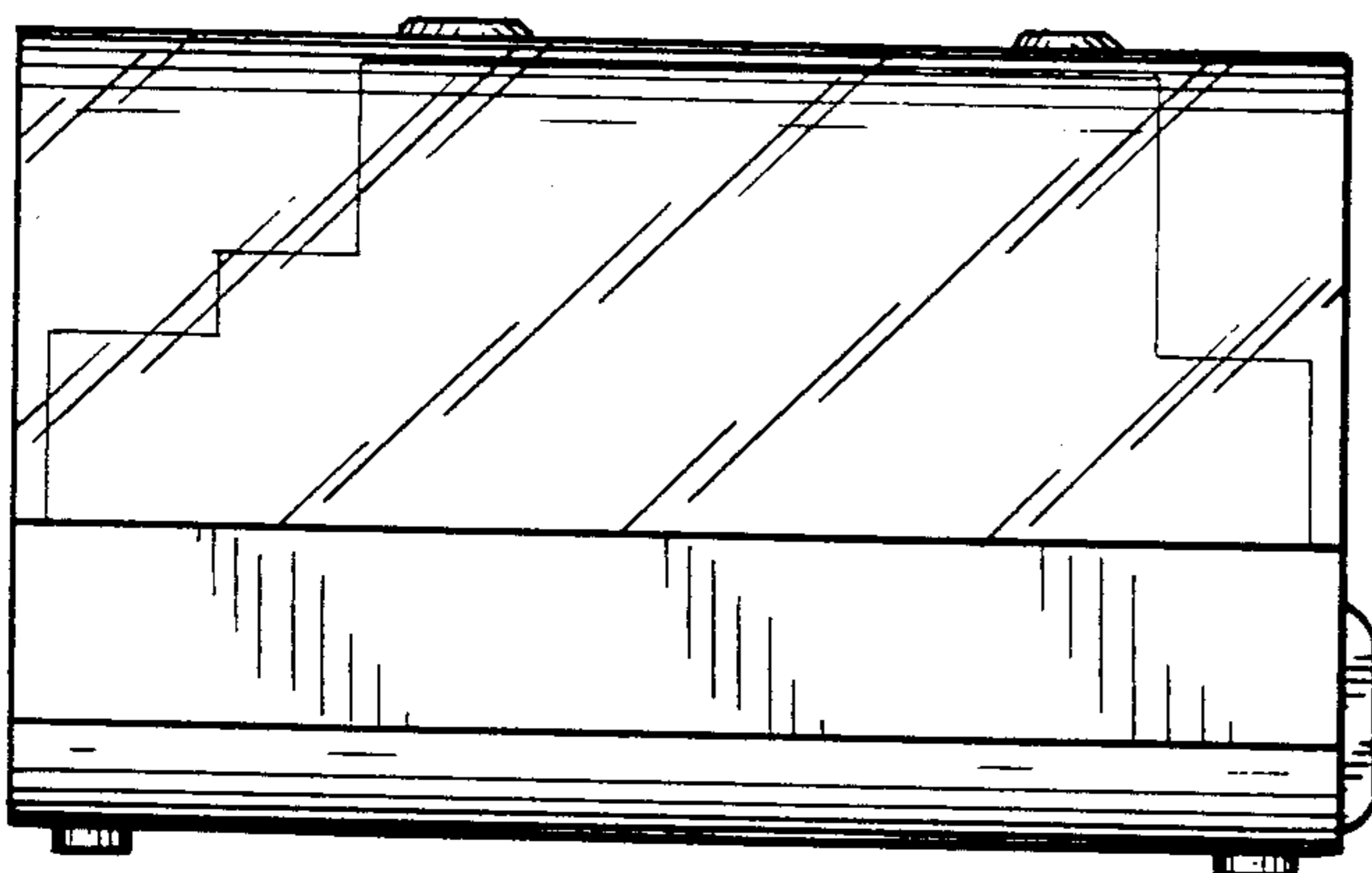


Fig. 4.

