

[54] SKID STEER LOADER VEHICLE BODY

[75] Inventors: Logan W. Johnson, Minnetonka; James L. Werner, Lamar, both of Mo.

[73] Assignee: Clark Equipment Company, Buchanan, Mich.

[**] Term: 14 Years

[21] Appl. No.: 654,250

[22] Filed: Feb. 2, 1976

[51] Int. Cl. D15-04

[52] U.S. Cl. D15/23

[58] Field of Search D15/23, 25; 180/89 R, 180/89 A; 214/140, 762, 771, 772, 775, 776, 778; D12/57

[56] References Cited

U.S. PATENT DOCUMENTS

D. 224,588	8/1972	Bauer	D12/57
D. 231,482	4/1974	Bauer	D15/25
3,614,273	10/1971	Wallace	214/778
3,895,728	7/1975	Heggen	180/89 R

OTHER PUBLICATIONS

Implement & Tractor, 11/7/73, p. 36, 330/440 Mustang Loader Vehicles, top right side of page.

Construction Methods & Equipment, 6/75, p. 93, Case Loader Vehicle.

Construction Methods & Equipment, 6/75, p. 121, Model JD14 Skid Steer Loader, top left side of page.

Construction Methods & Equipment, 4/74, p. 34, Loader Vehicle, center of page.

Implement & Tractor, 11/7/75, p. 65, Bobcat Line of Loader Vehicles, top of page.

Primary Examiner—Wallace R. Burke

Assistant Examiner—James M. Gandy

Attorney, Agent, or Firm—Harry G. Thibault

[57] CLAIM

The ornamental design for a skid steer loader vehicle body, substantially as shown and described.

DESCRIPTION

FIG. 1 is a left front perspective view of a skid steer loader vehicle body showing our new design; FIG. 2 is a left rear perspective view thereof; FIG. 3 is a left side perspective view thereof; FIG. 4 is a front perspective view thereof; FIG. 5 is a right side perspective view thereof; FIG. 6 is a rear perspective view thereof; FIG. 7 is a left side perspective view thereof with the boom assembly in raised position; FIG. 8 is a front perspective view of FIG. 7; FIG. 9 is a rear perspective view of FIG. 7; and FIG. 10 is an enlarged top perspective view thereof. The broken lines in the drawing are for illustrative purposes only.

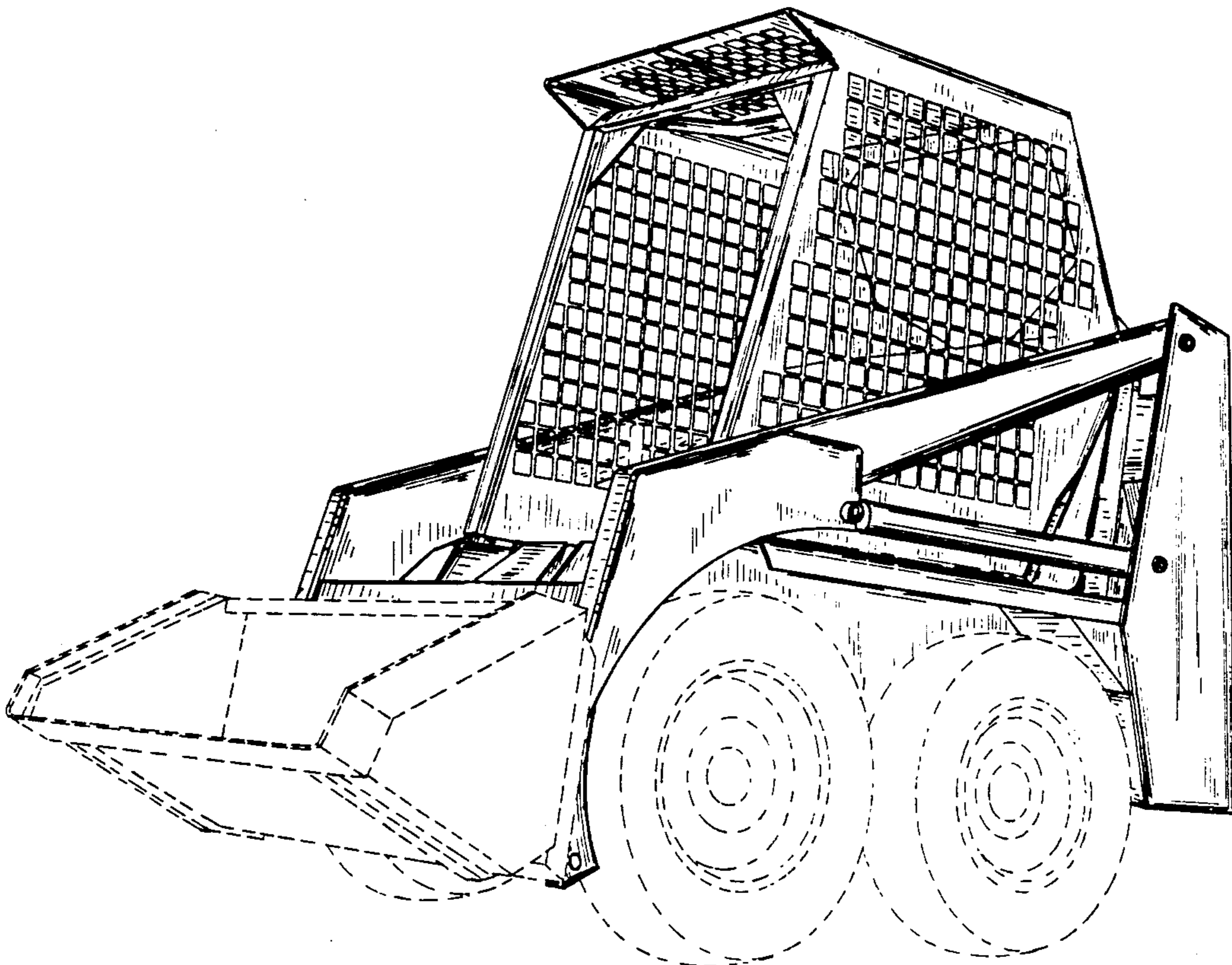


FIG. 1

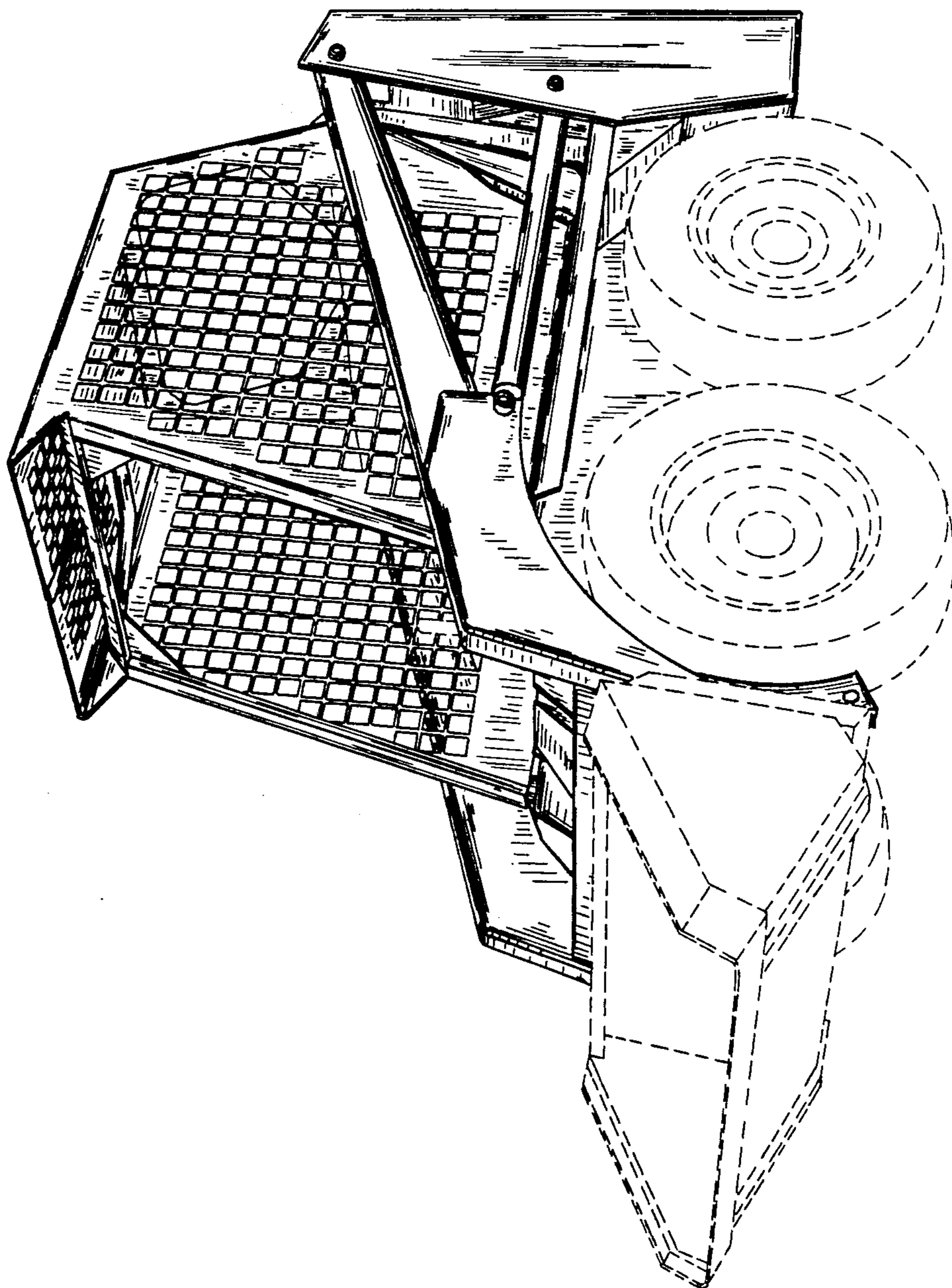


FIG. 2

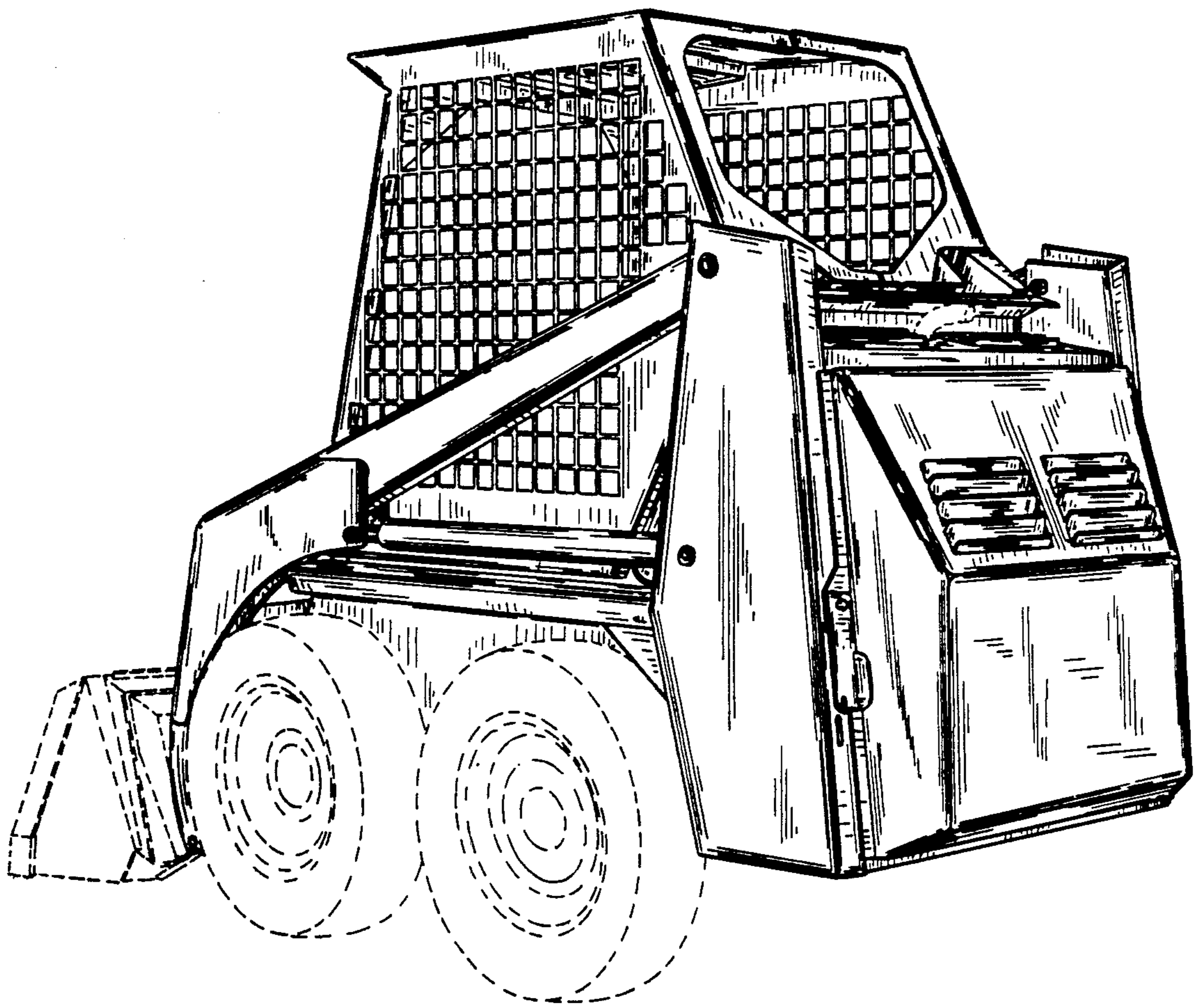


FIG. 3

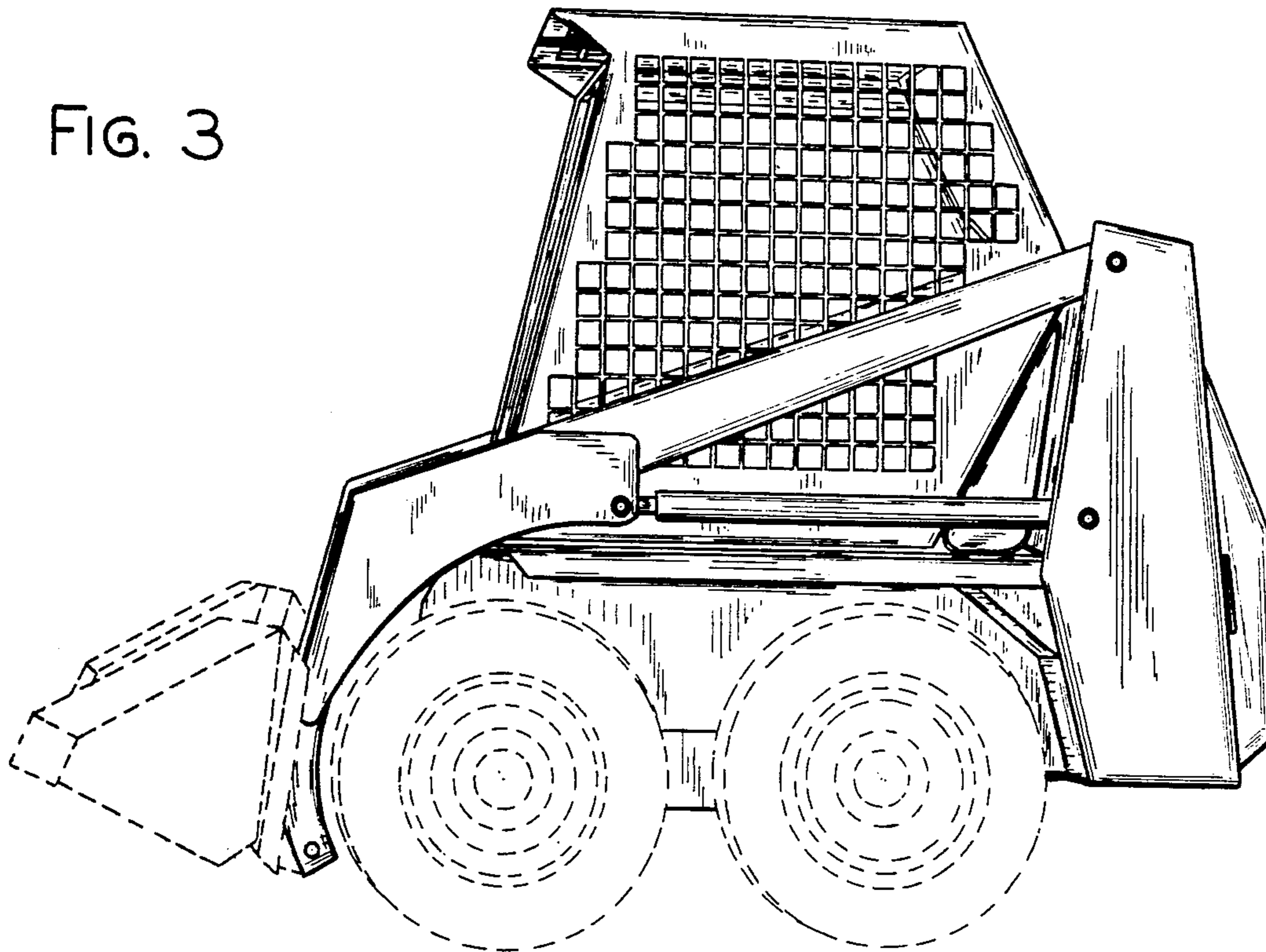


FIG. 4

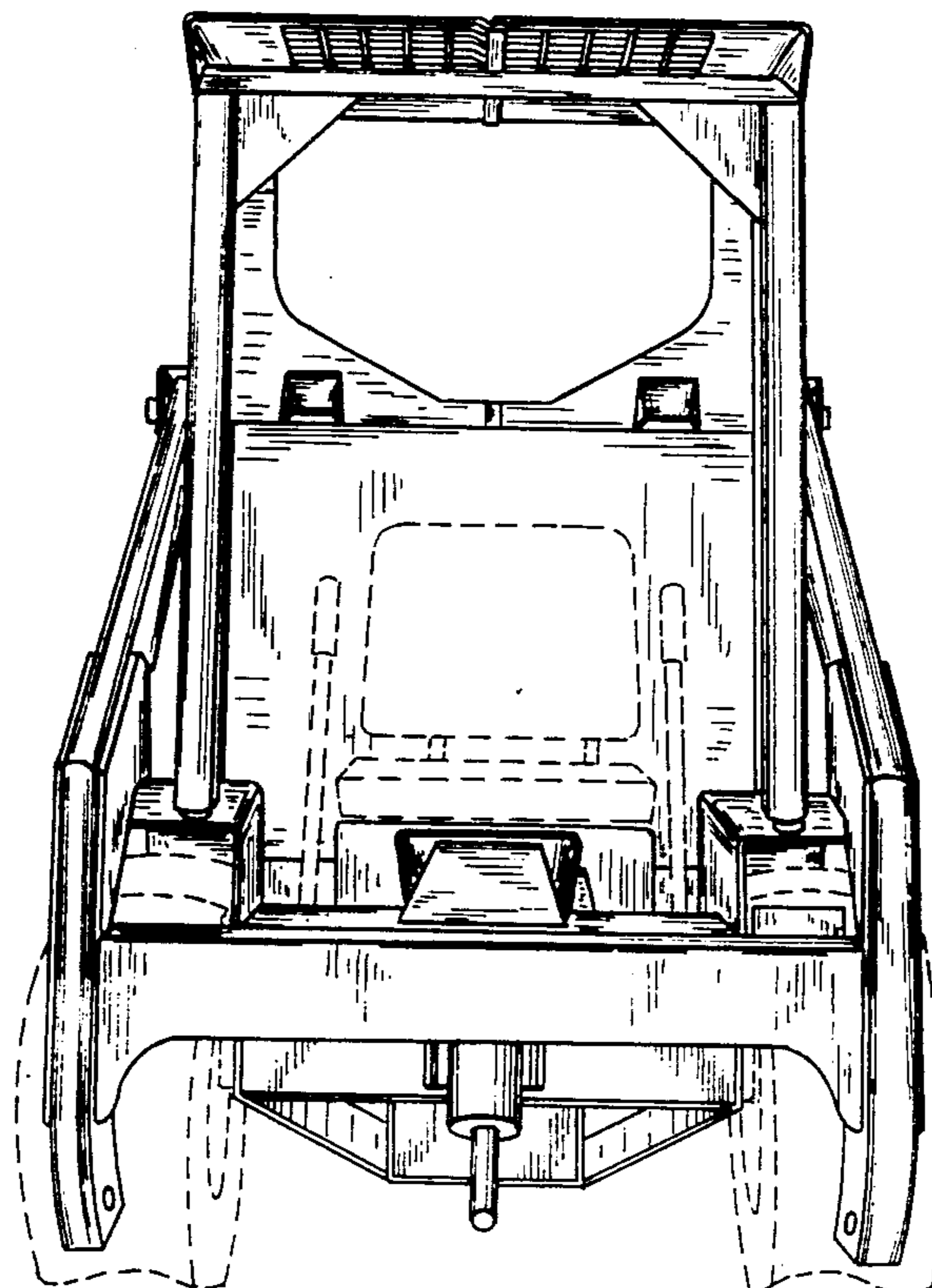


FIG. 5

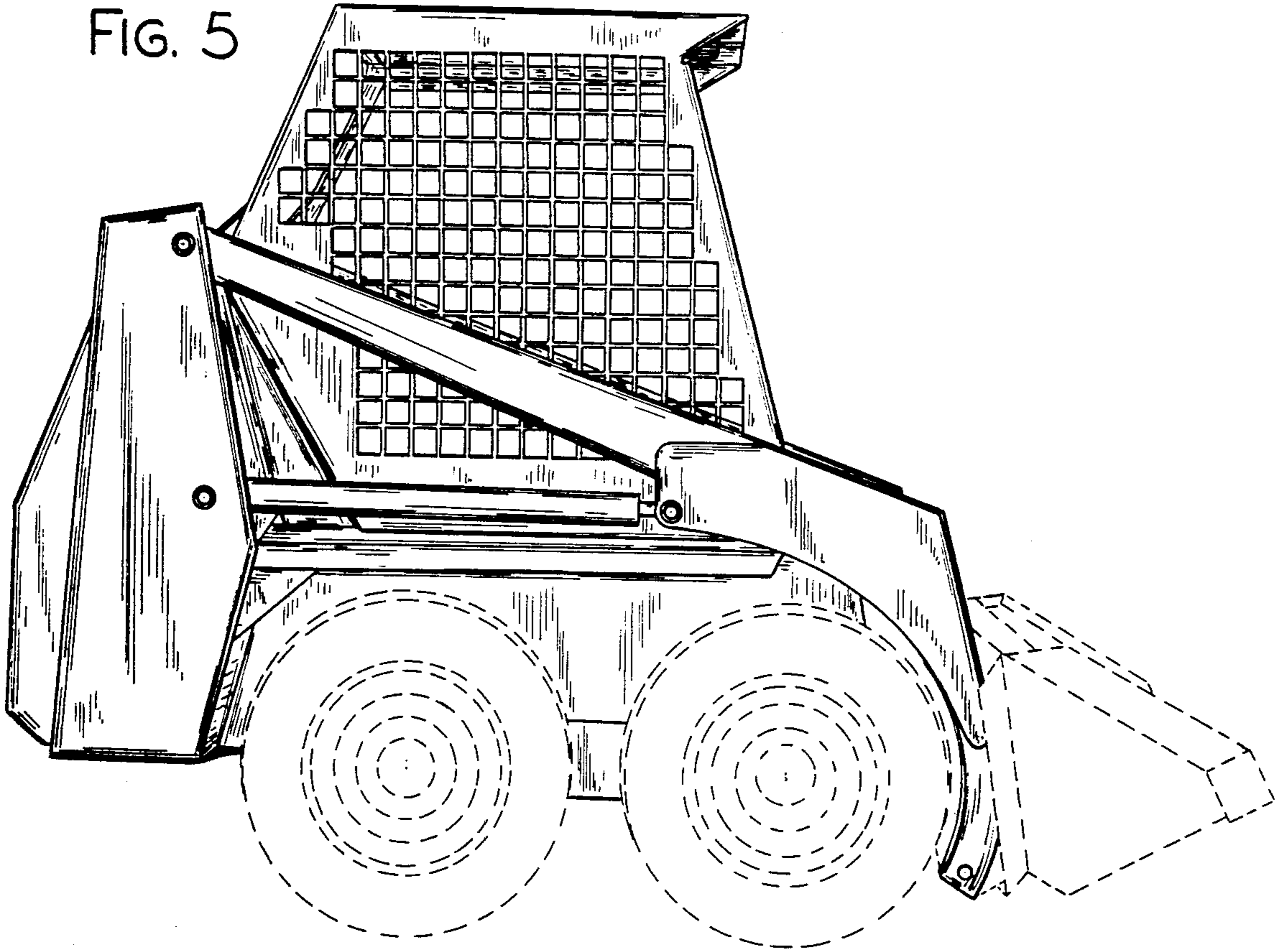


FIG. 6

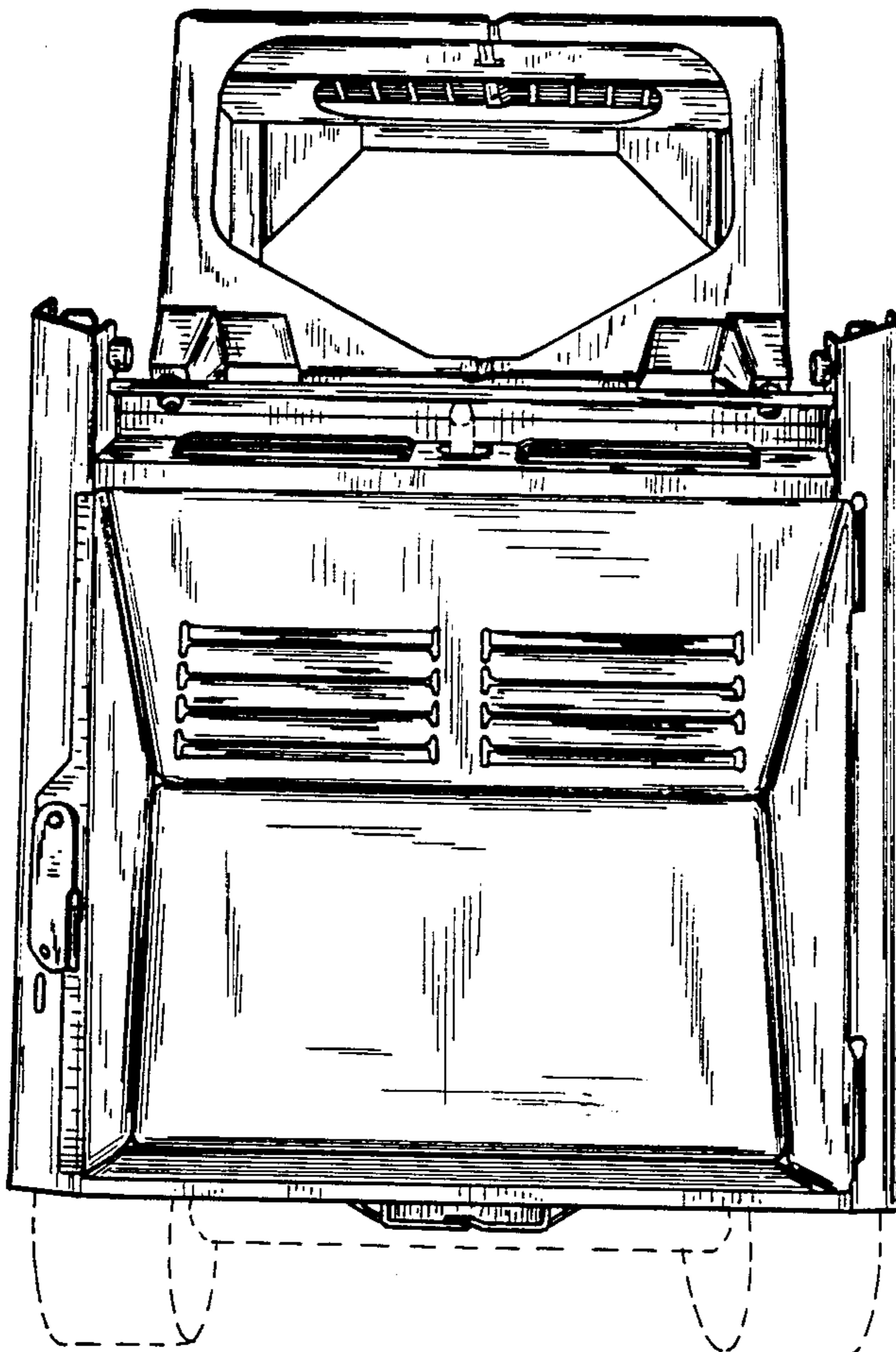


FIG. 7

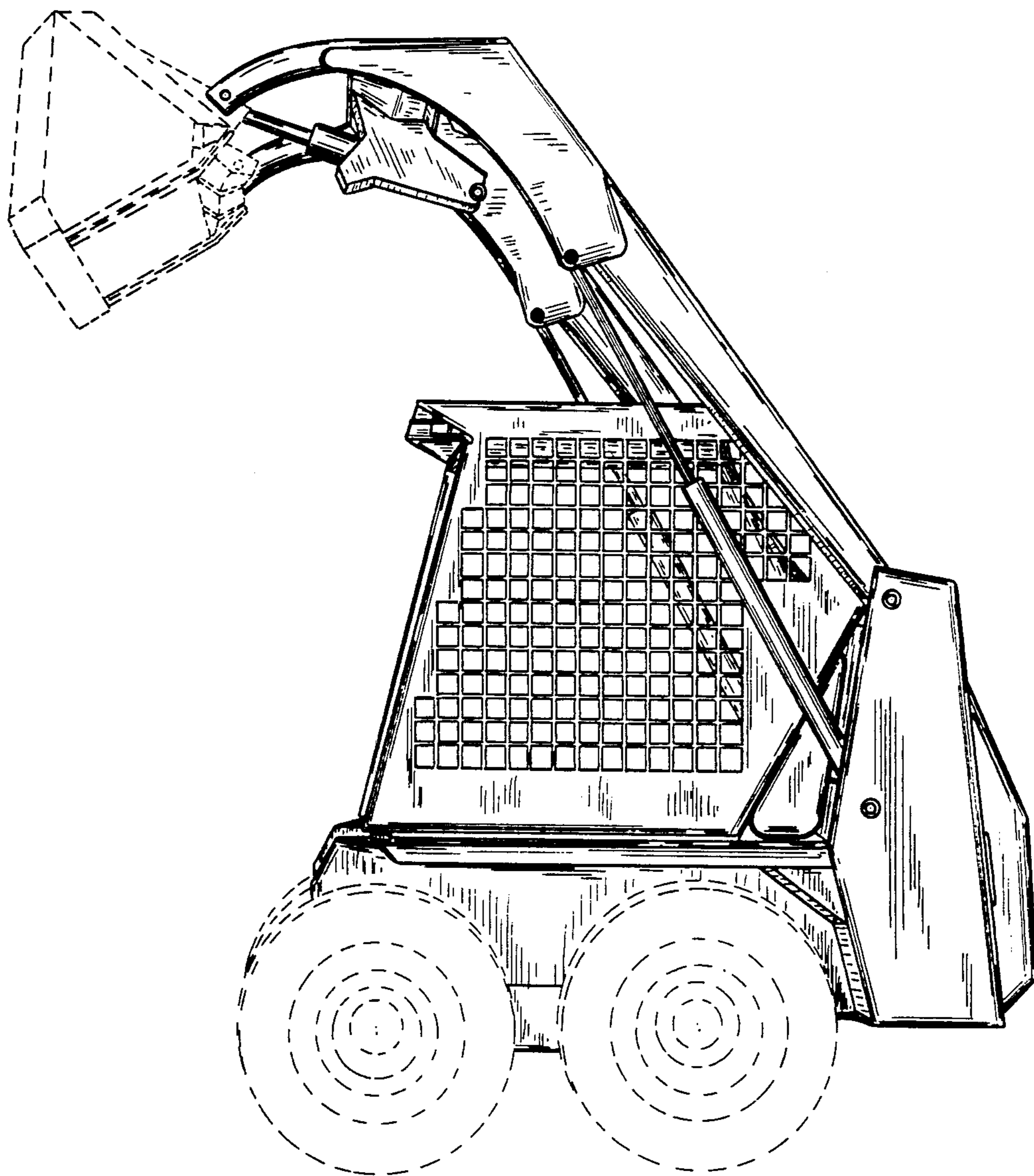


FIG. 8

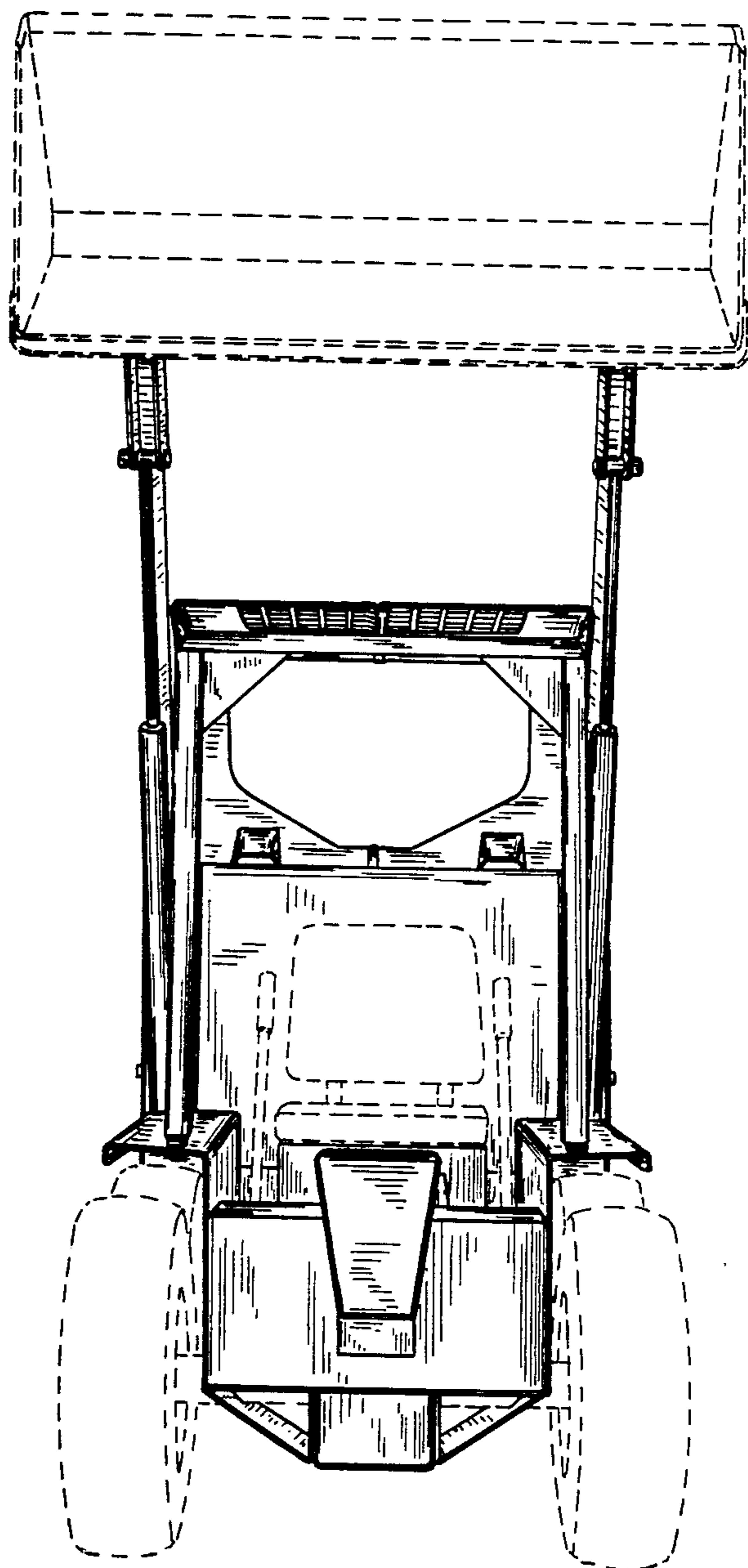
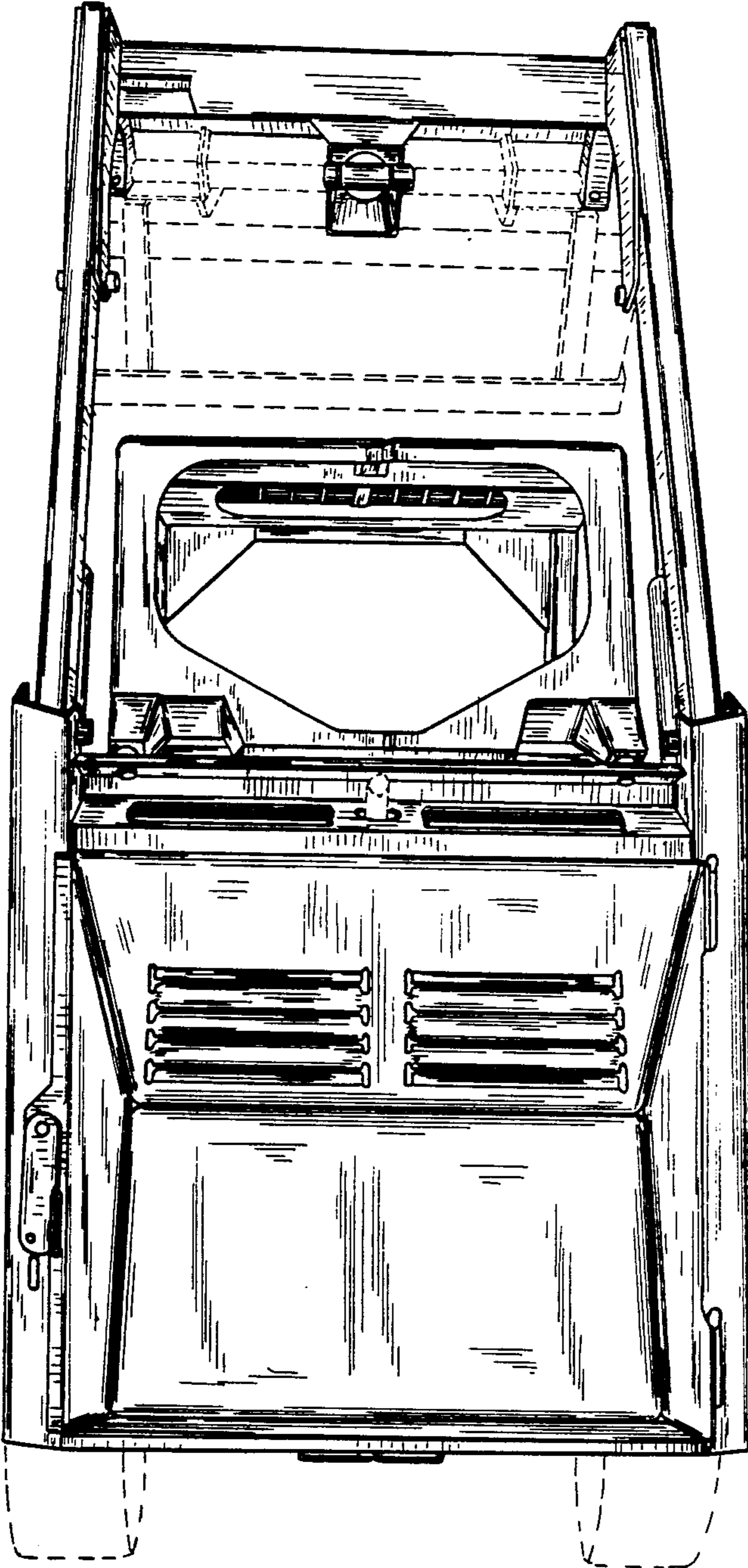


FIG. 9



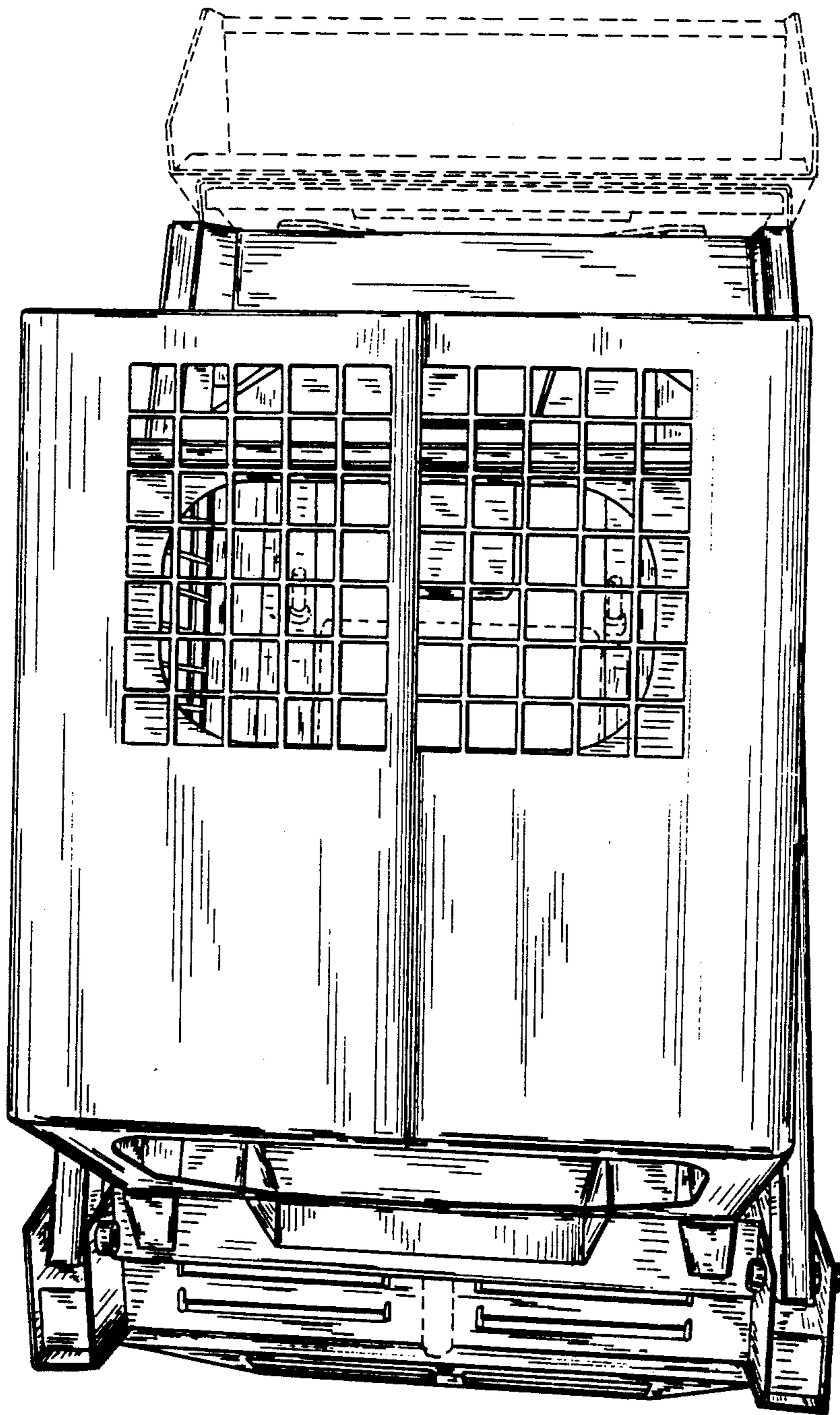


FIG.10