

[54] PULLEY BRACKET

[76] Inventor: William J. Meis, 6 Valley Dr., Crescent, Iowa 51526

[\*\*] Term: 14 Years

[21] Appl. No.: 744,914

[22] Filed: Nov. 26, 1976

[51] Int. Cl. .... D8-08

[52] U.S. Cl. .... D8/360

[58] Field of Search ..... D8/354, 355, 356, 360, D8/380, 396; 403/232.1; 254/182, 192, 194, 195, 196

[56] References Cited

U.S. PATENT DOCUMENTS

D. 16,113 5/1885 Weir ..... D8/360

D. 43,581 2/1913 Rhoades ..... D8/360  
D. 140,055 1/1945 Little ..... D8/360 X  
D. 184,346 2/1959 Gerland ..... D8/360

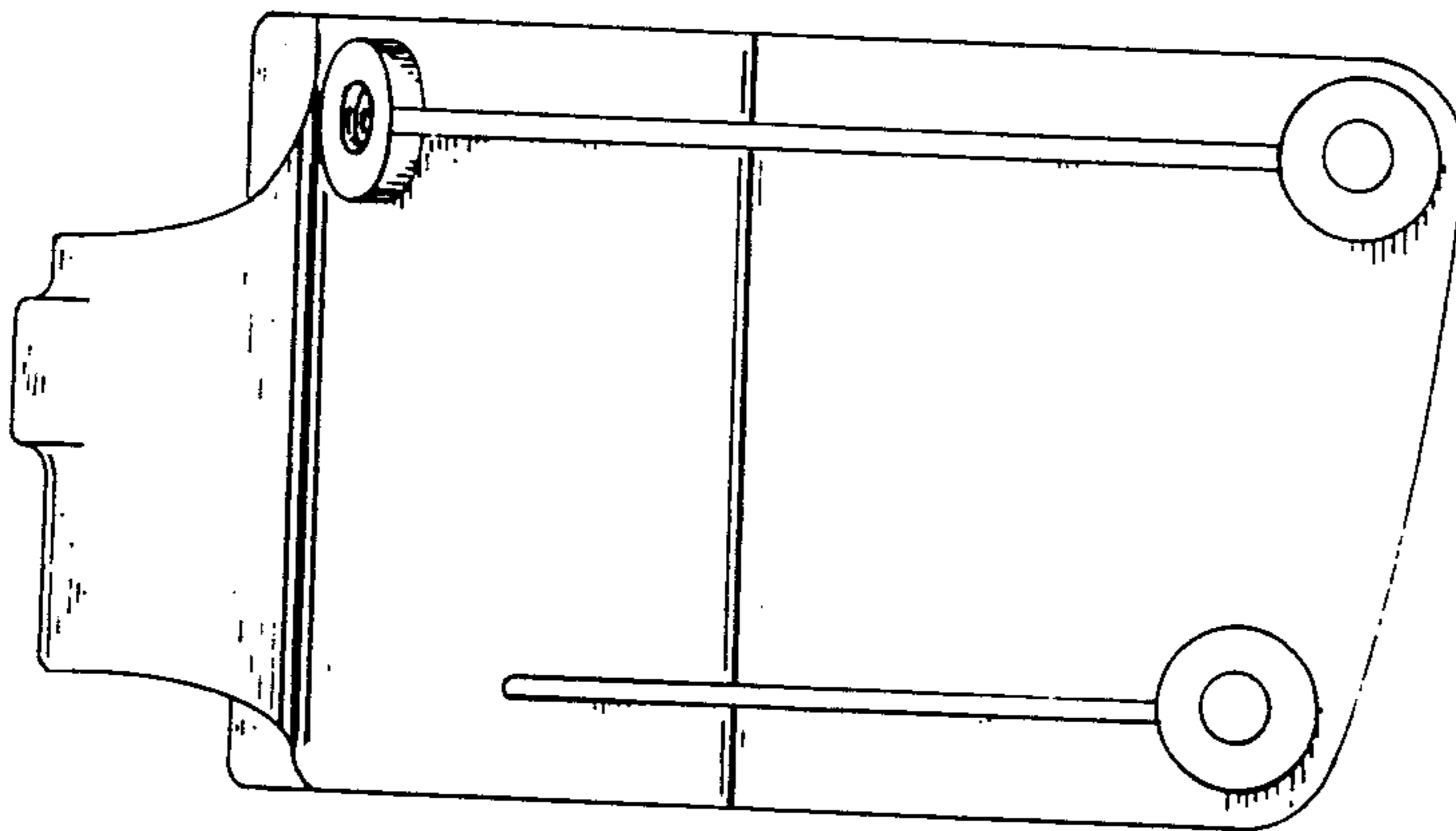
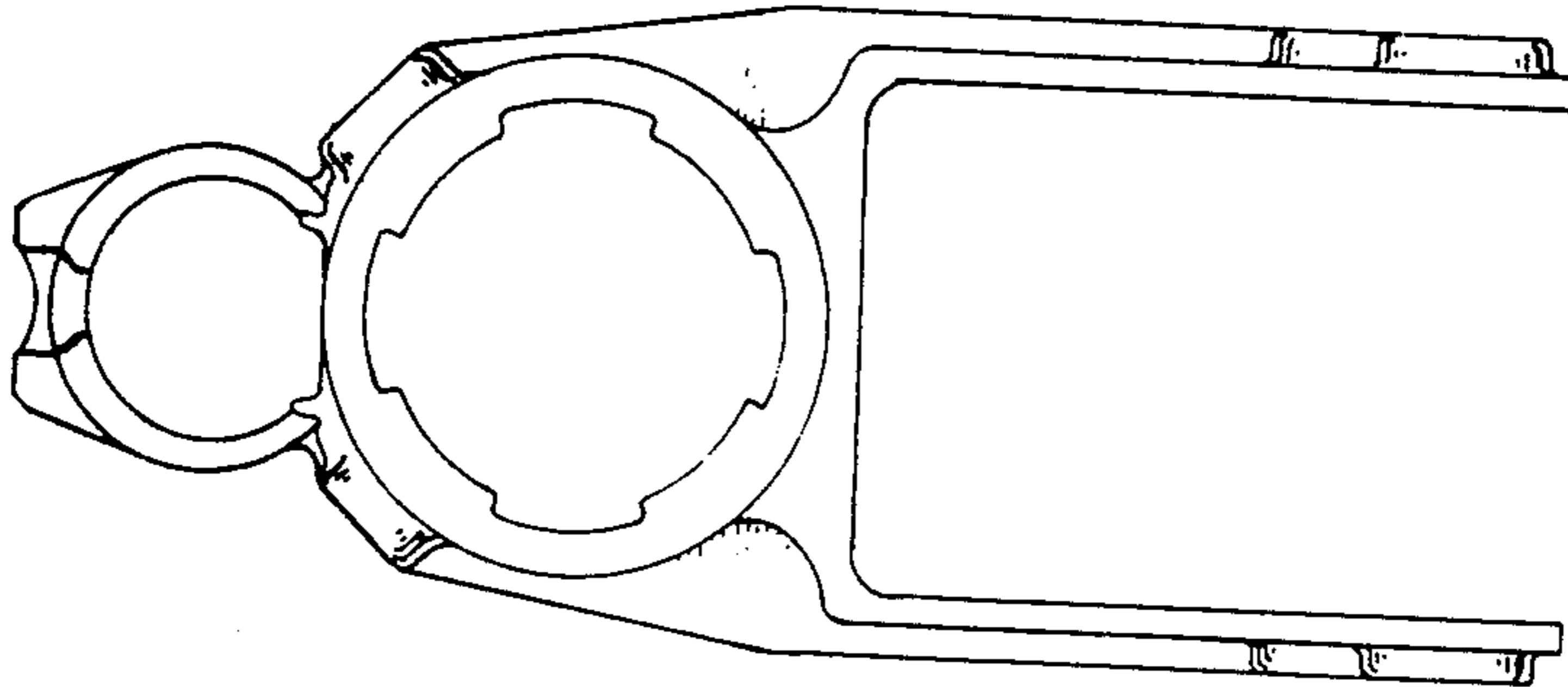
Primary Examiner—A. Hugo Word  
Attorney, Agent, or Firm—Louis J. Strom

[57] CLAIM

The ornamental design for a pulley bracket, substantially as shown.

DESCRIPTION

FIG. 1 is a top plan view of the pulley bracket showing my new design;  
FIG. 2 is a side elevation view;  
FIG. 3 is an end view;  
FIG. 4 is a bottom plan view;  
FIG. 5 is a side elevation viewed at 180° to FIG. 2; and  
FIG. 6 is an end view at an angle of 180° to FIG. 3.



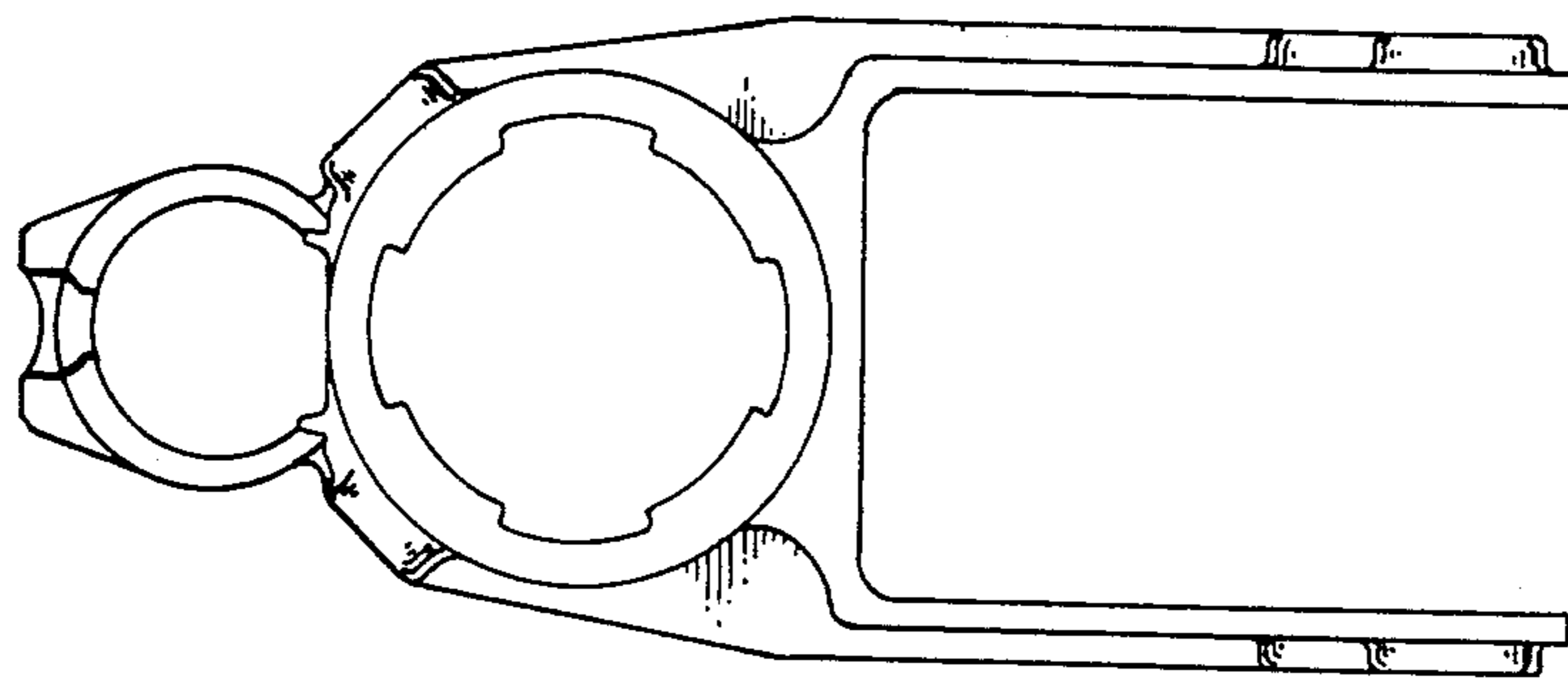


FIG. 1

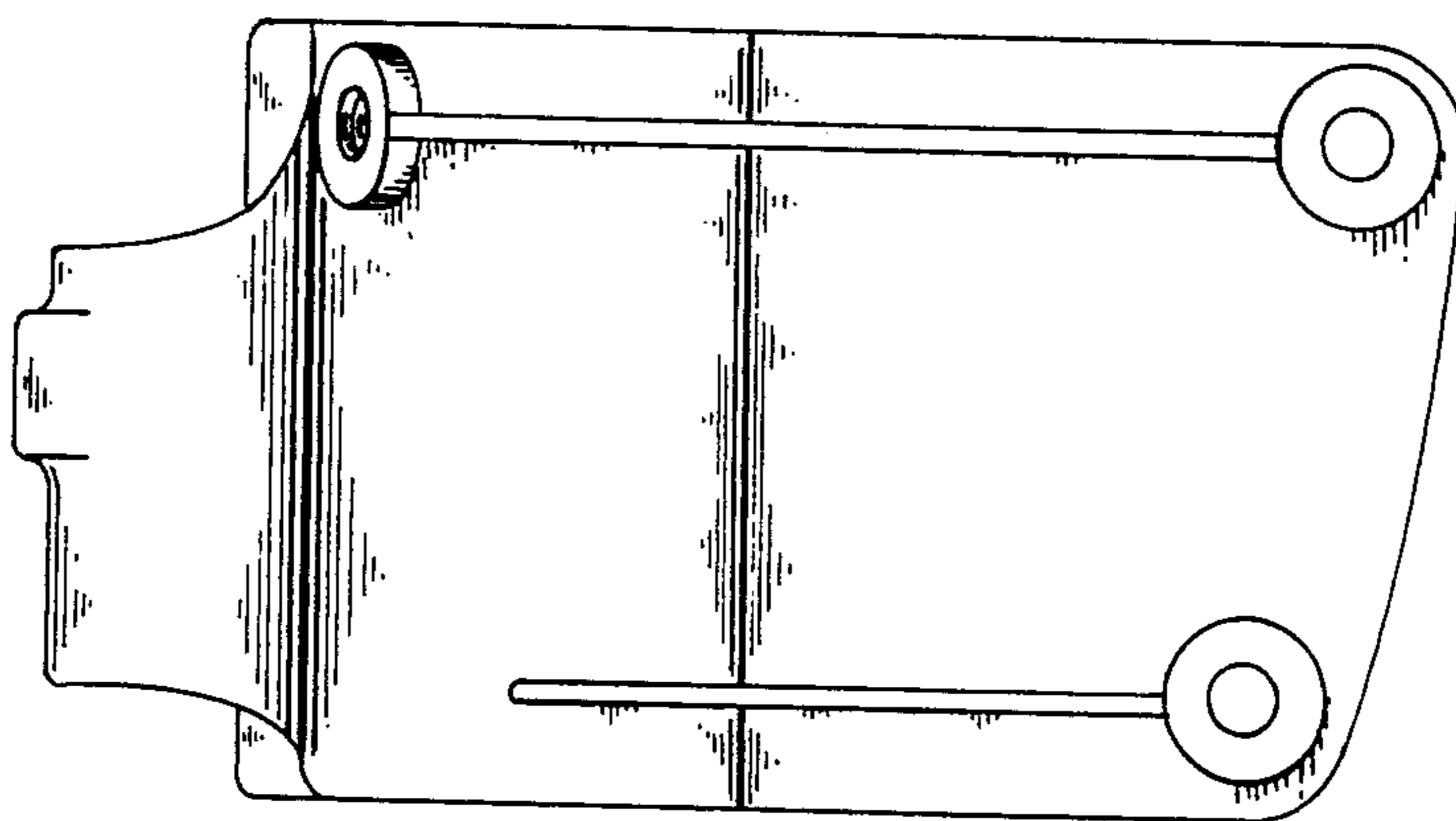


FIG. 2

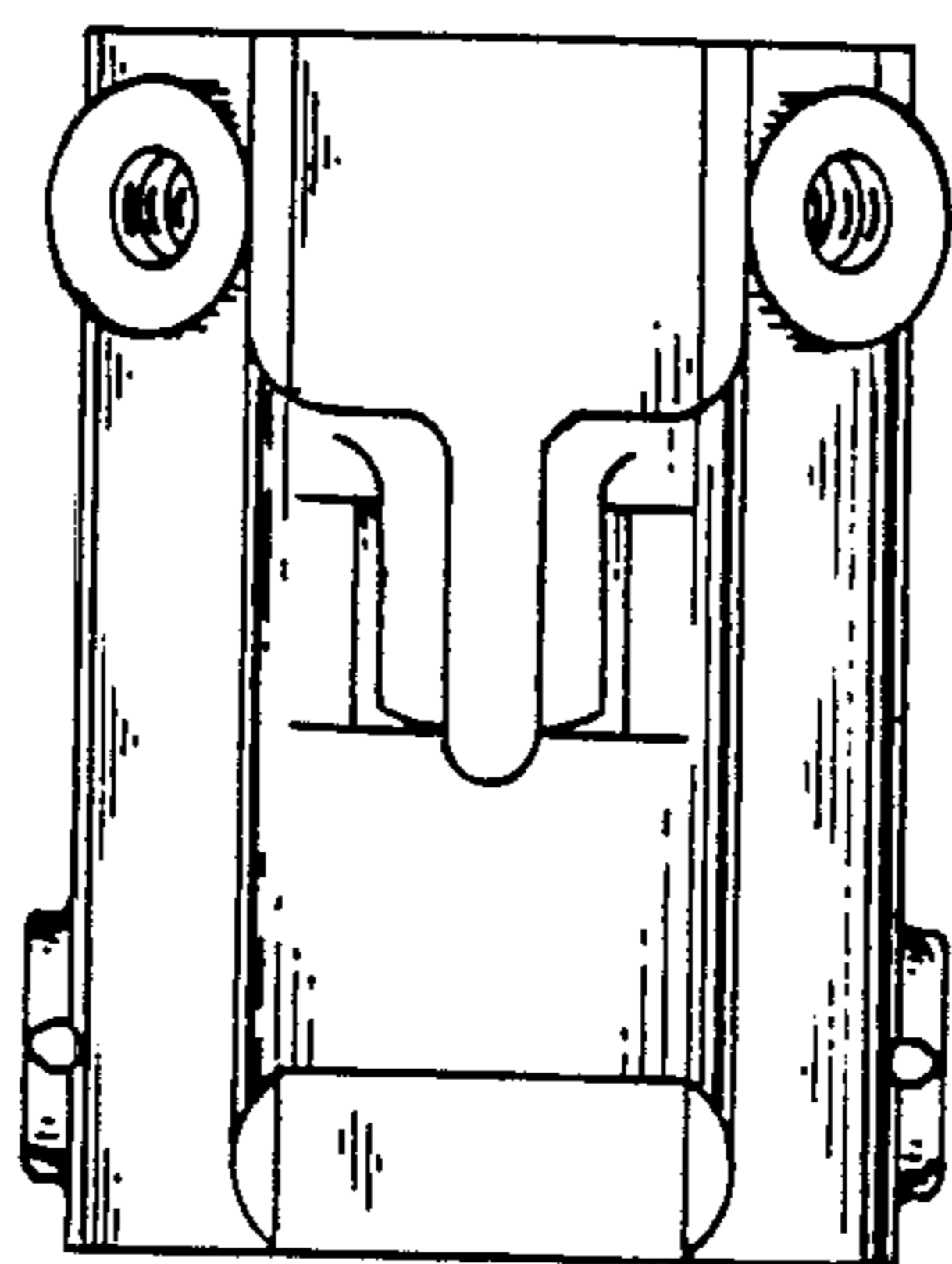


FIG. 3

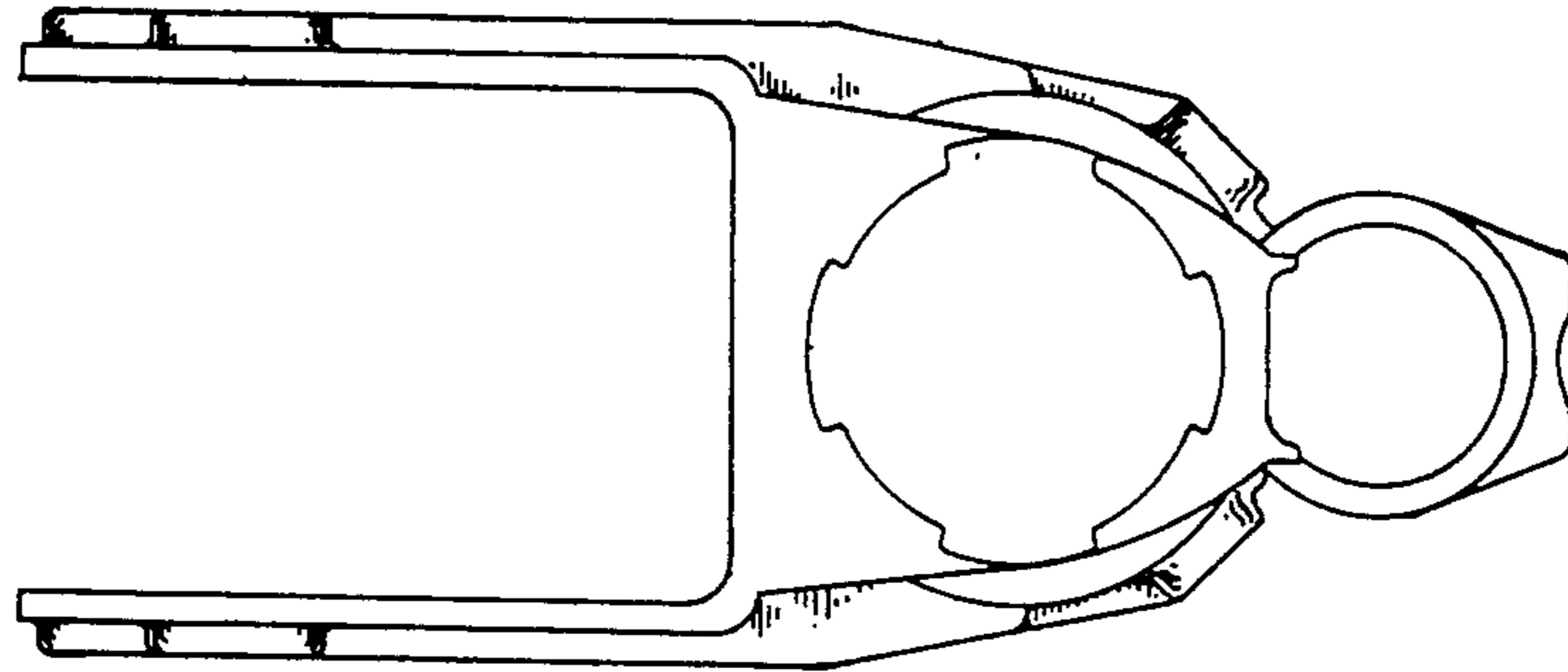


FIG. 4

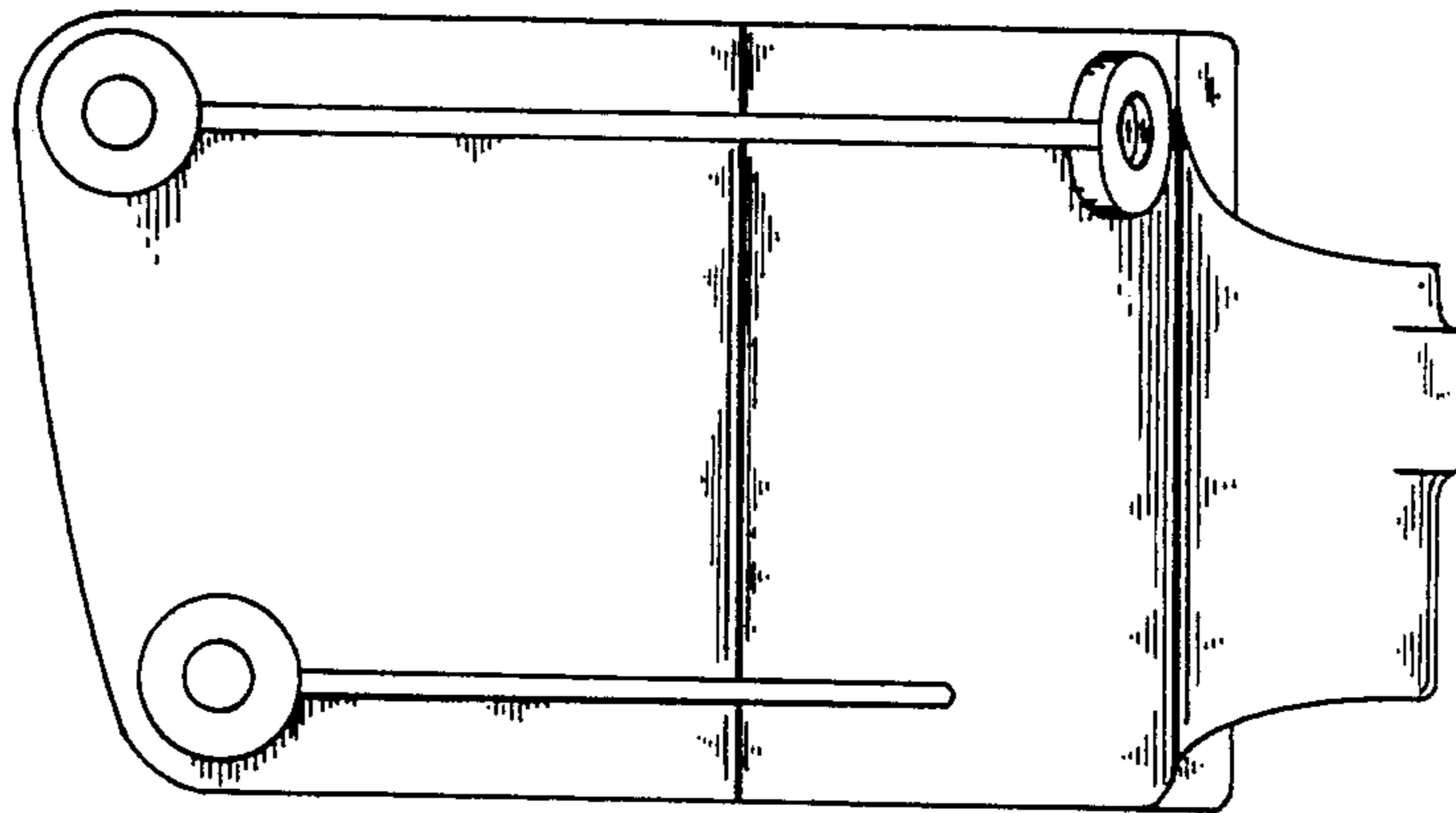


FIG 5

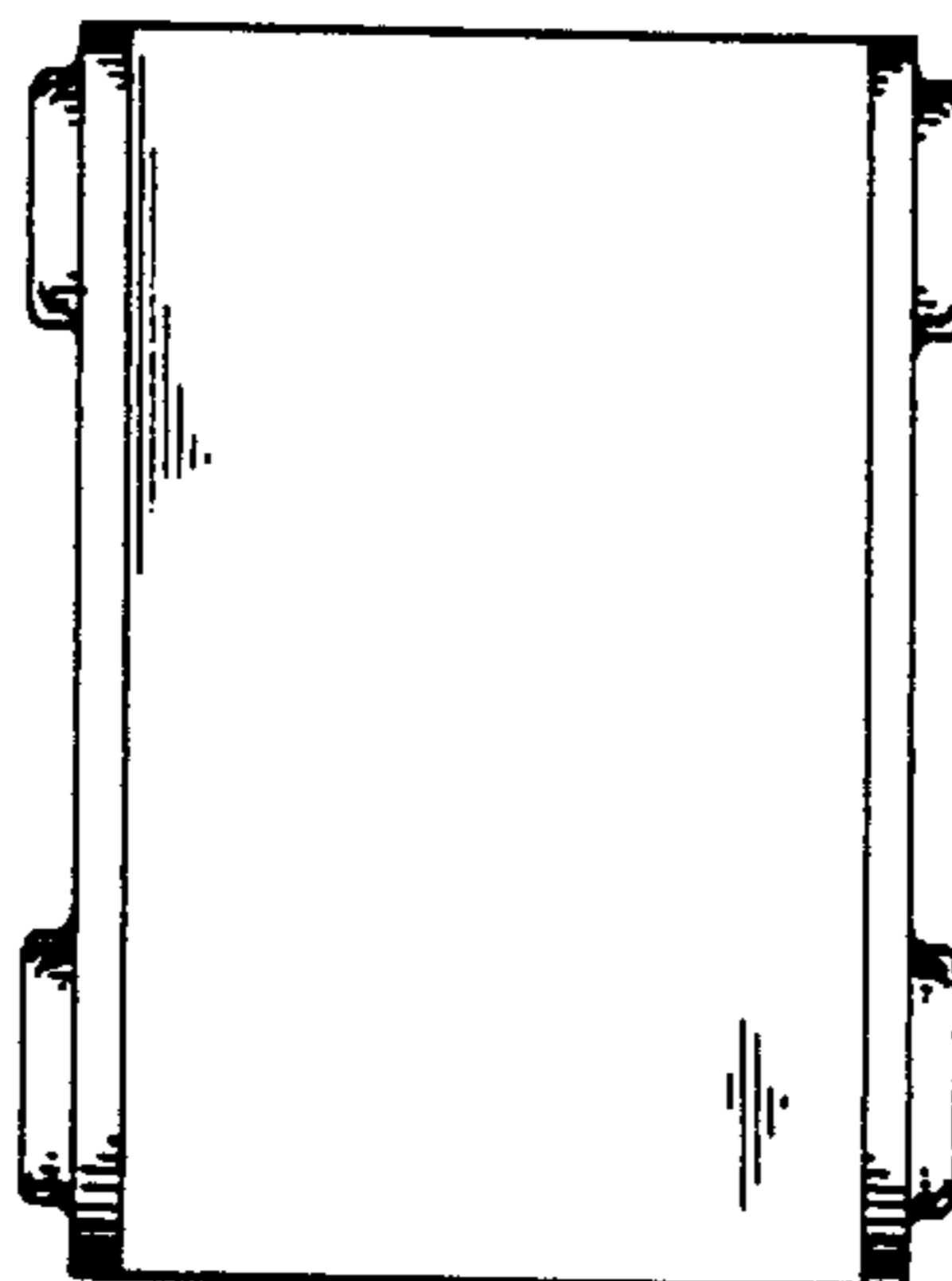


FIG. 6