

[54] COIN CONTAINER
[76] Inventor: Peter A. McCarthy, 106 Athens Ave., South Amboy, N.J. 08879
[**] Term: 14 Years
[21] Appl. No.: 716,880
[22] Filed: Aug. 23, 1976
[51] Int. Cl. D3-99
[52] U.S. Cl. D52/4 R
[58] Field of Search D87/3 B, 8.4; D52/4 R; 206/.8-.84; 229/87.2, 93; D9/249, 250; 133/1 R, 1 A, 2

[56] **References Cited**
U.S. PATENT DOCUMENTS

D. 59,791 11/1921 Szepe D87/3 B
D. 165,913 2/1952 Goodman D87/8.4
D. 177,913 6/1956 Jankura D52/4 R

D. 235,224 5/1975 Peasley D87/3 B
2,436,646 2/1948 Henne D87/3 B

Primary Examiner—Joel Stearman
Assistant Examiner—George P. Word
Attorney, Agent, or Firm—Barry H. Freedman

[57] **CLAIM**

The ornamental design for a coin container, substantially as shown and described.

DESCRIPTION

FIG. 1 is a perspective view of a coin container showing my new design;
FIG. 2 is an inverted bottom rear perspective view thereof;
FIG. 3 is a rear elevational view;
FIG. 4 is a front elevational view;
FIG. 5 is a top plan view;
FIG. 6 is a left side elevational view; and
FIG. 7 is a bottom plan view.

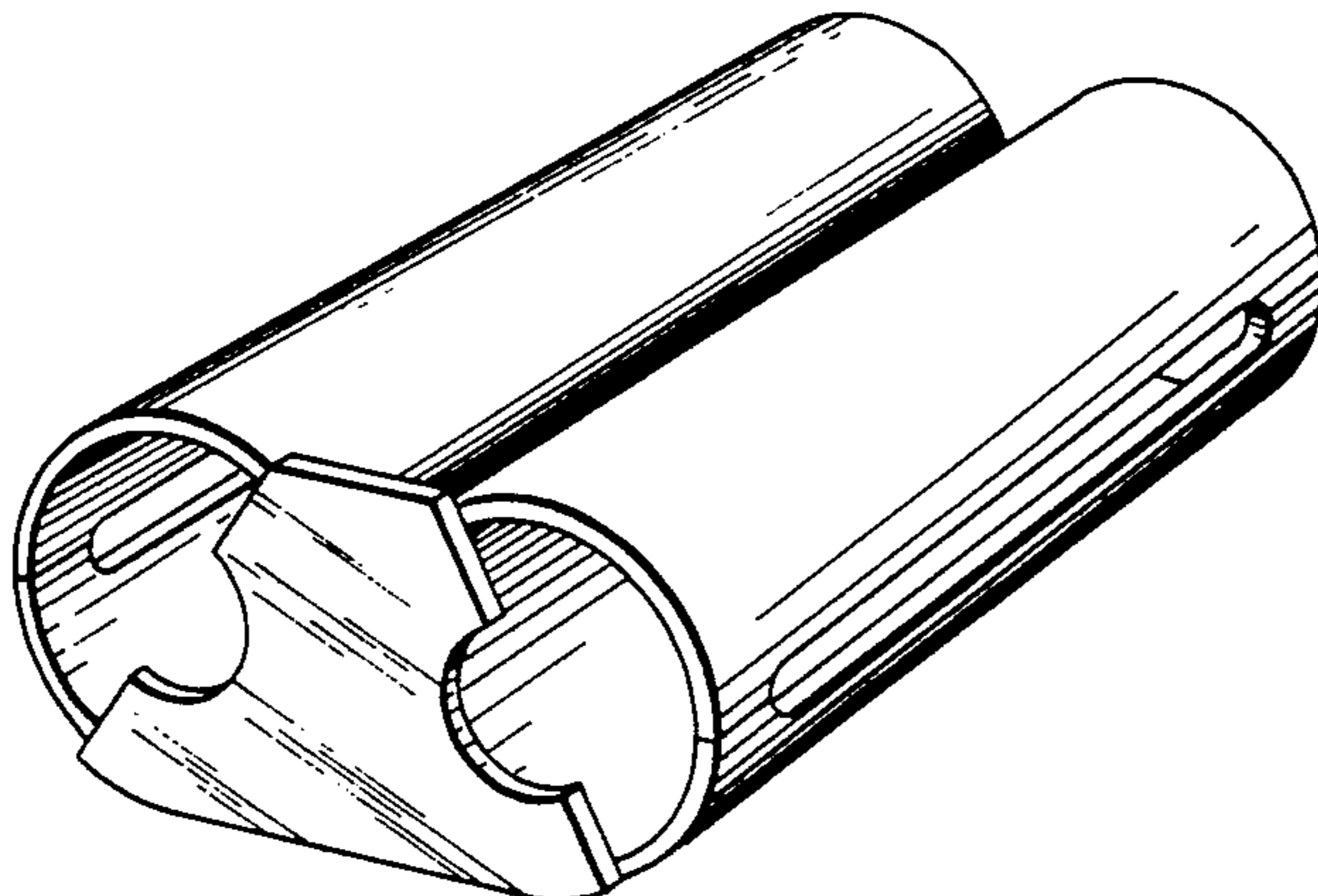
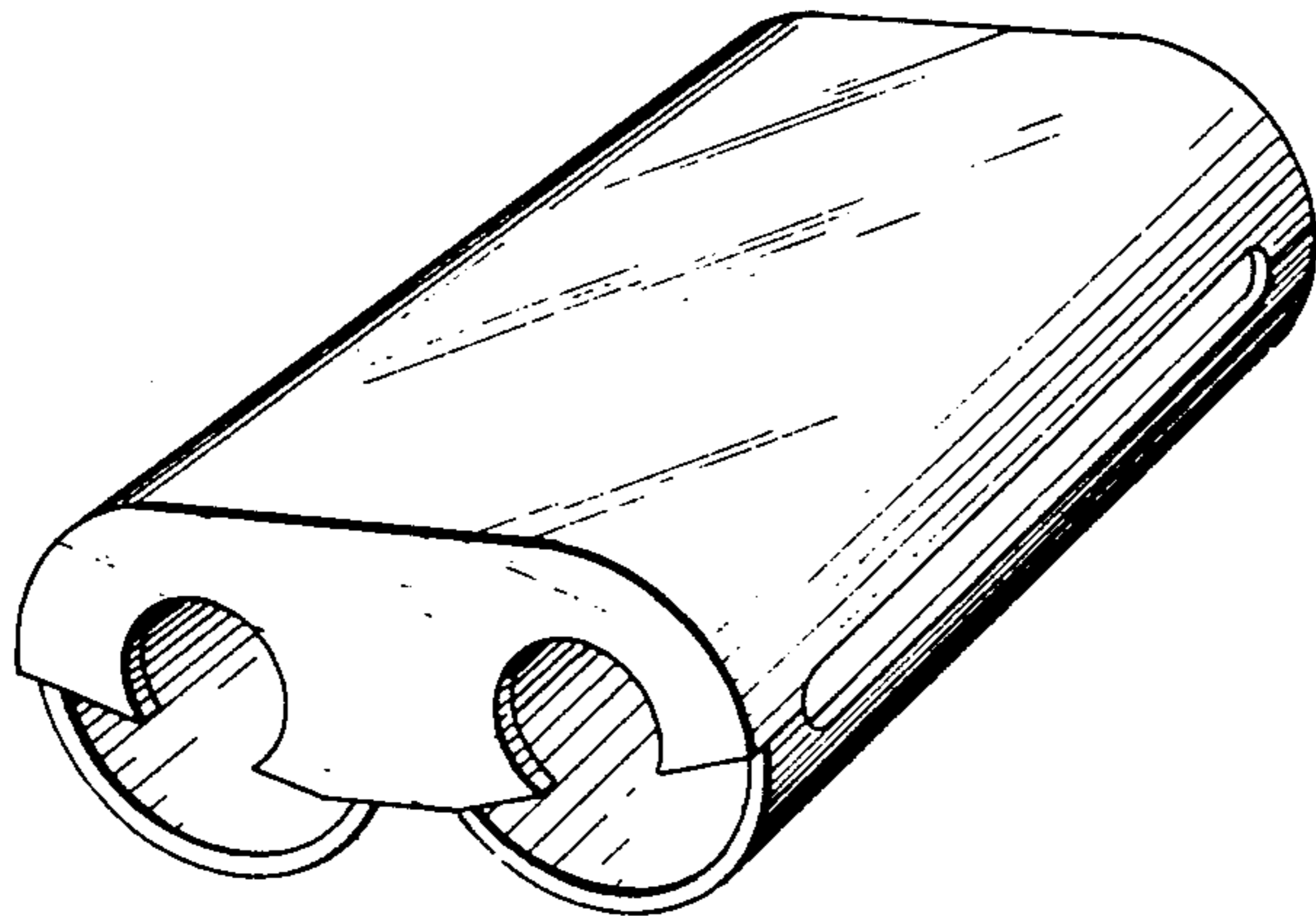


FIG. 1

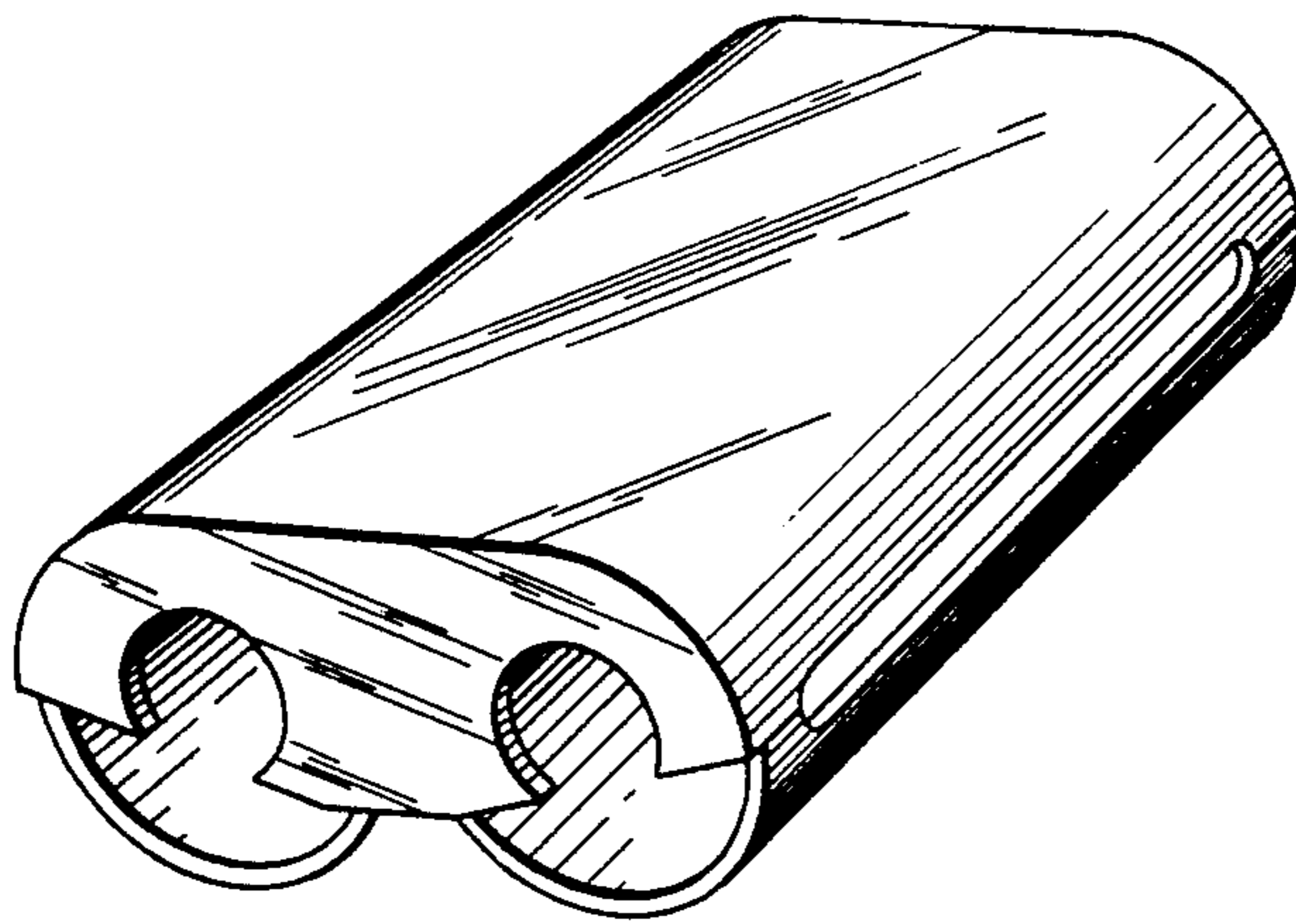


FIG. 2

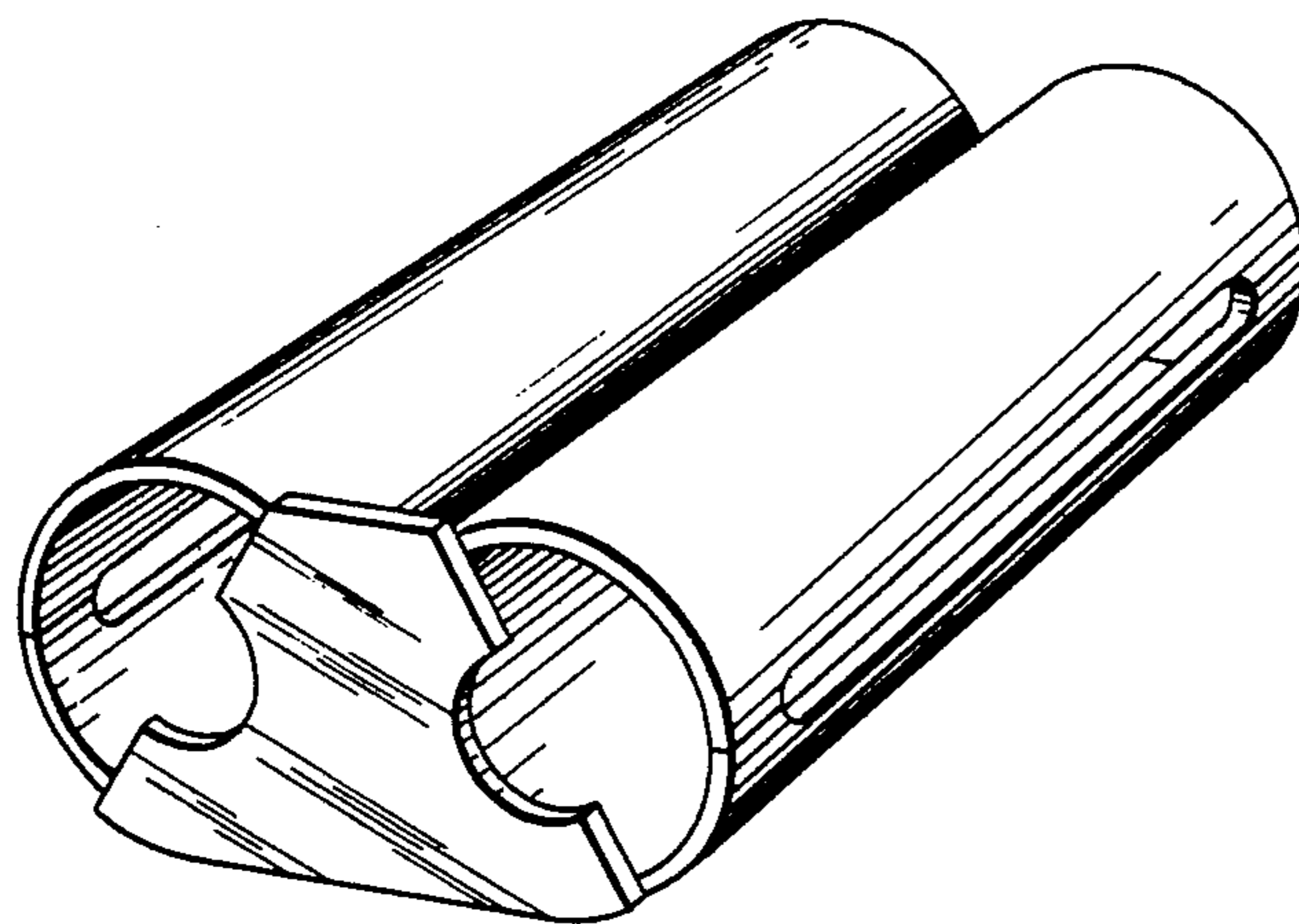


FIG. 3

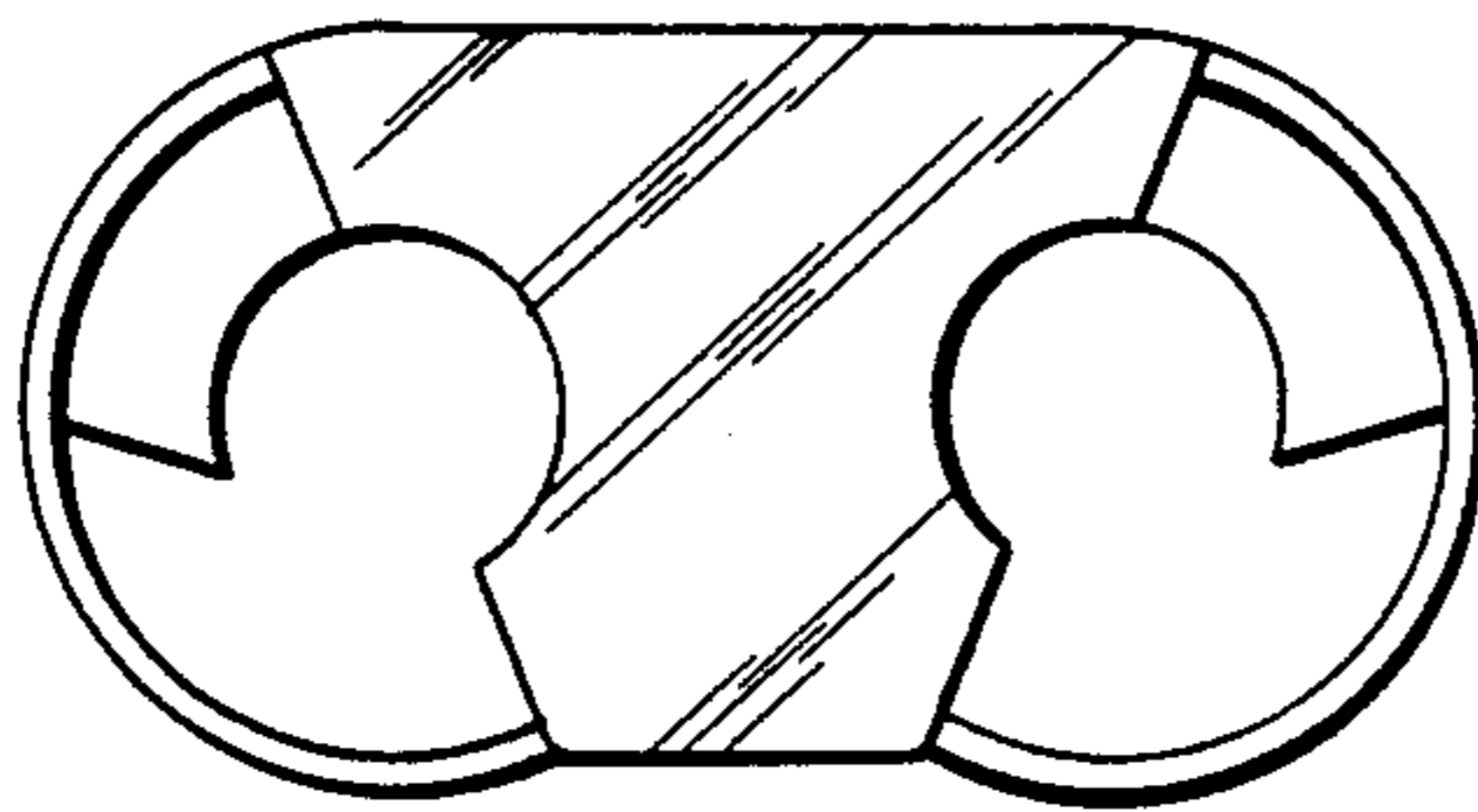


FIG. 4

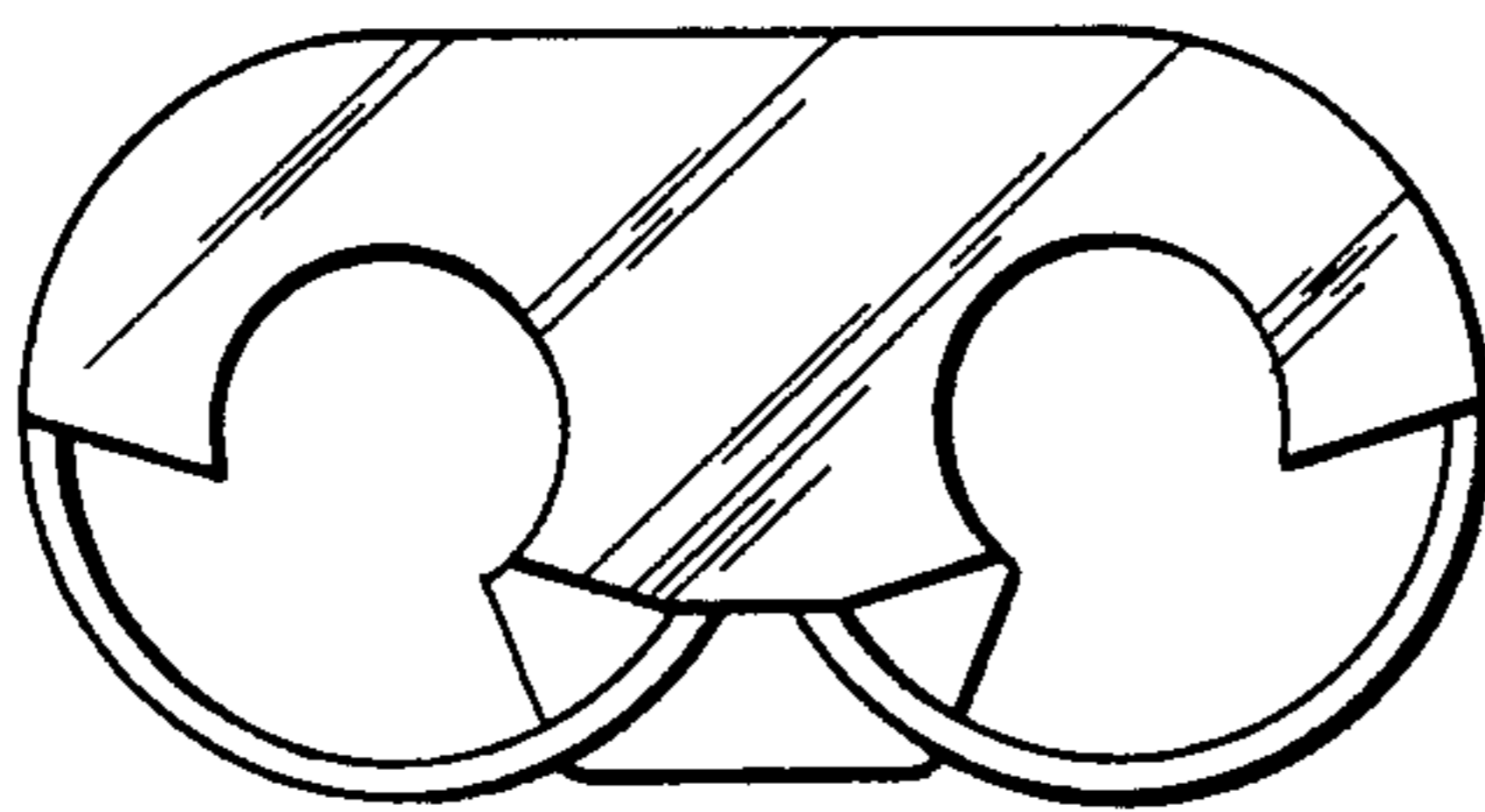


FIG. 5

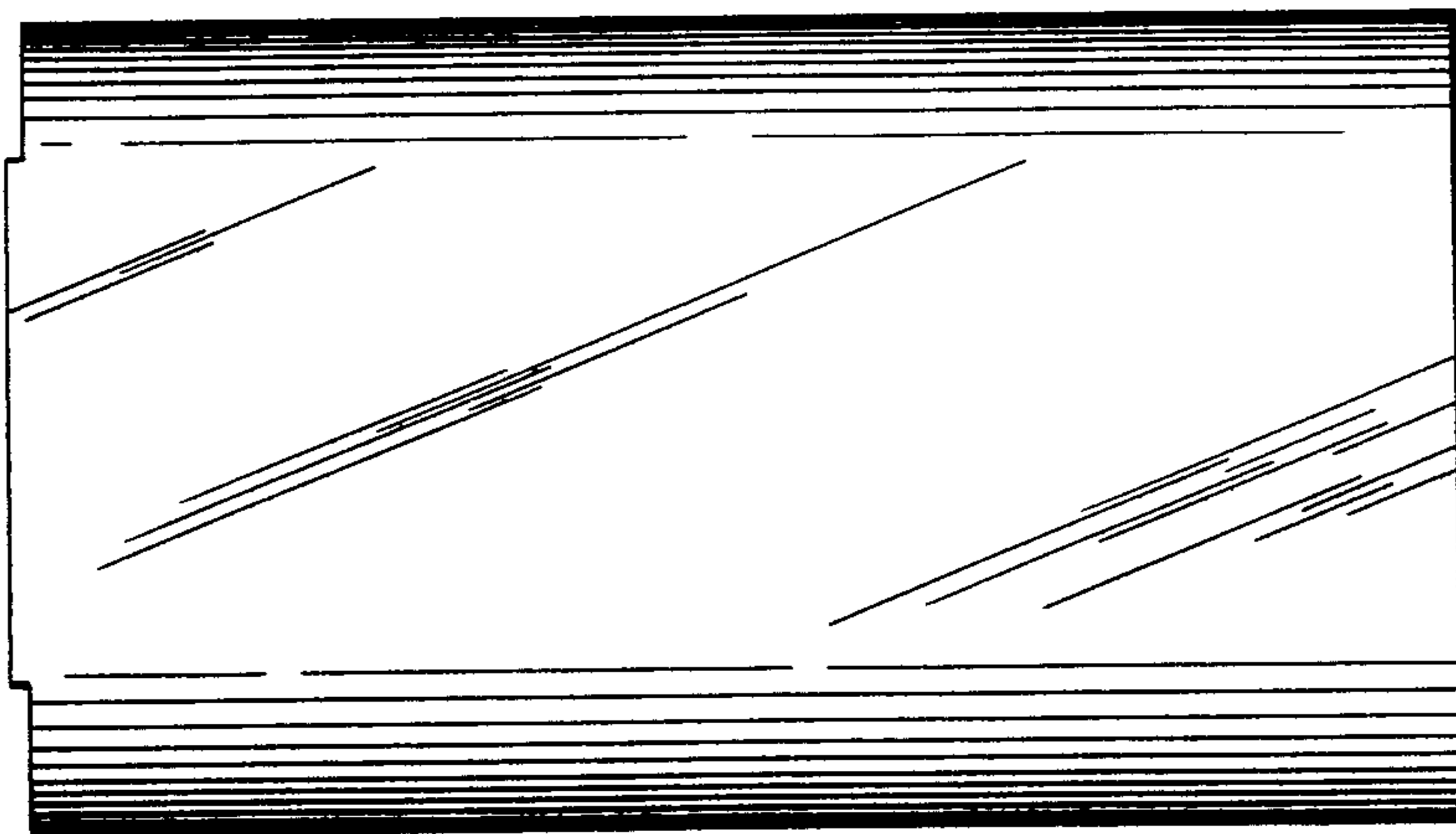


FIG. 6

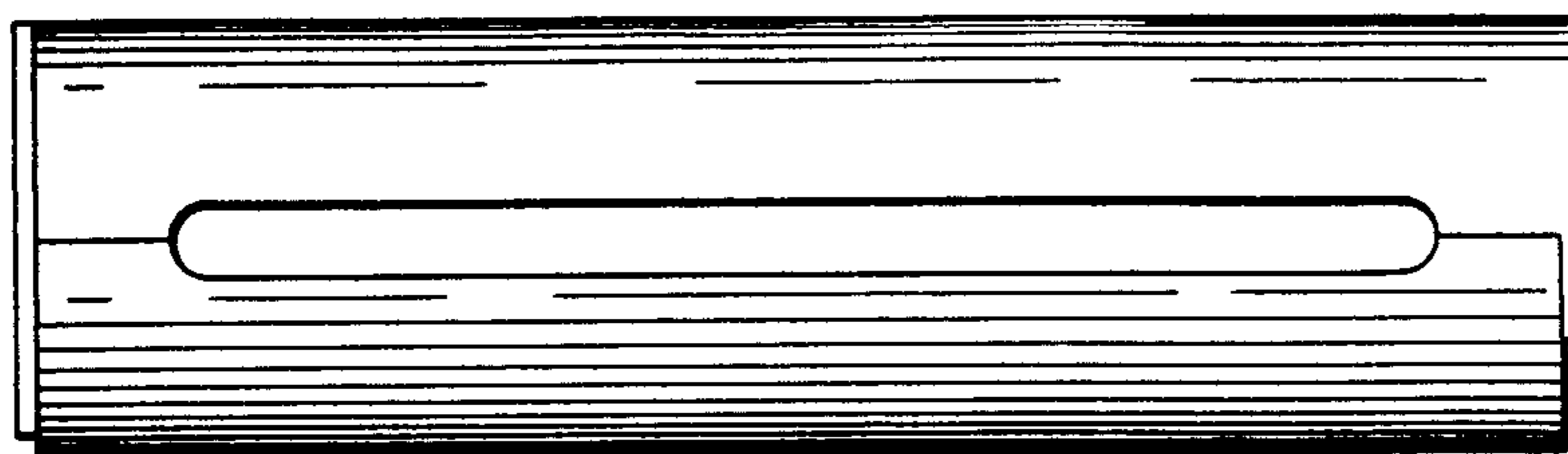


FIG. 7

