

[54] NOVELTY DIGIT COUNTER

[76] Inventor: Edward G. Matay, 1231 E. Jackson St., Joliet, Ill. 60432

[**] Term: 14 Years

[21] Appl. No.: 684,261

[22] Filed: May 5, 1976

[51] Int. Cl. D21-01

[52] U.S. Cl. D34/15 R

[58] Field of Search D10/64; D28/56, 57, D28/61; D34/15 R; D19/13, 15, 35, 100; 35/32, 31 C, 31 D, 31 F, 5, 6; 46/1; 272/67-68, 8 N

[56]

References Cited

U.S. PATENT DOCUMENTS

D. 56,489	10/1920	Young	D19/59
2,546,118	3/1951	Wright	D28/61
2,634,976	4/1953	Mock	272/68
3,374,558	3/1968	Smith	35/31 D

Primary Examiner—Joel Stearman

Assistant Examiner—C. A. Rademaker

Attorney, Agent, or Firm—Harvey B. Jacobson

[57]

CLAIM

The ornamental design for a novelty digit counter, substantially as shown.

DESCRIPTION

FIG. 1 is a perspective view of a novelty digit counter showing my new design; FIG. 2 is an end elevational view thereof; FIG. 3 is a bottom plan view thereof; and FIG. 4 is a side elevational view thereof.

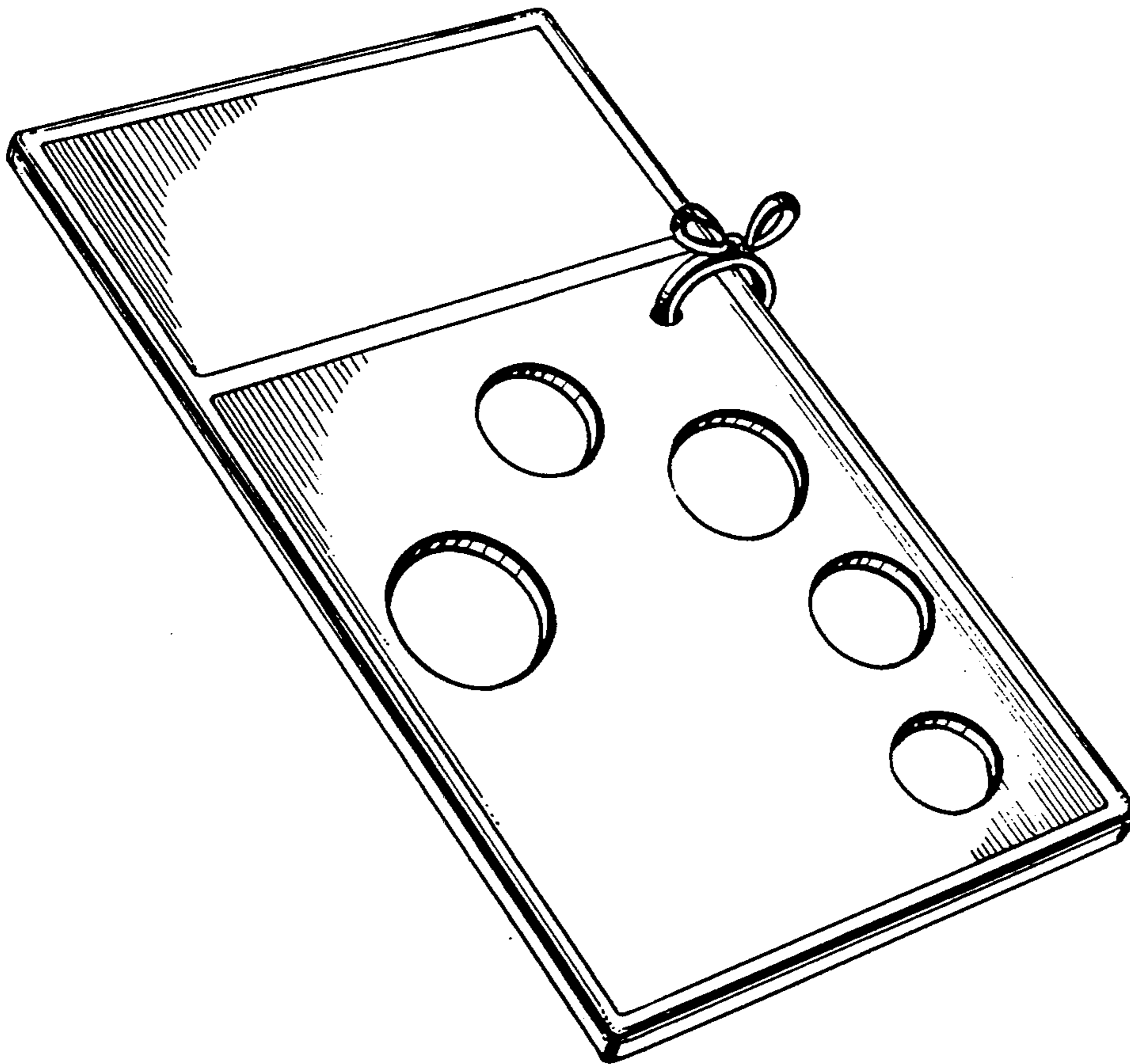


FIG. 1

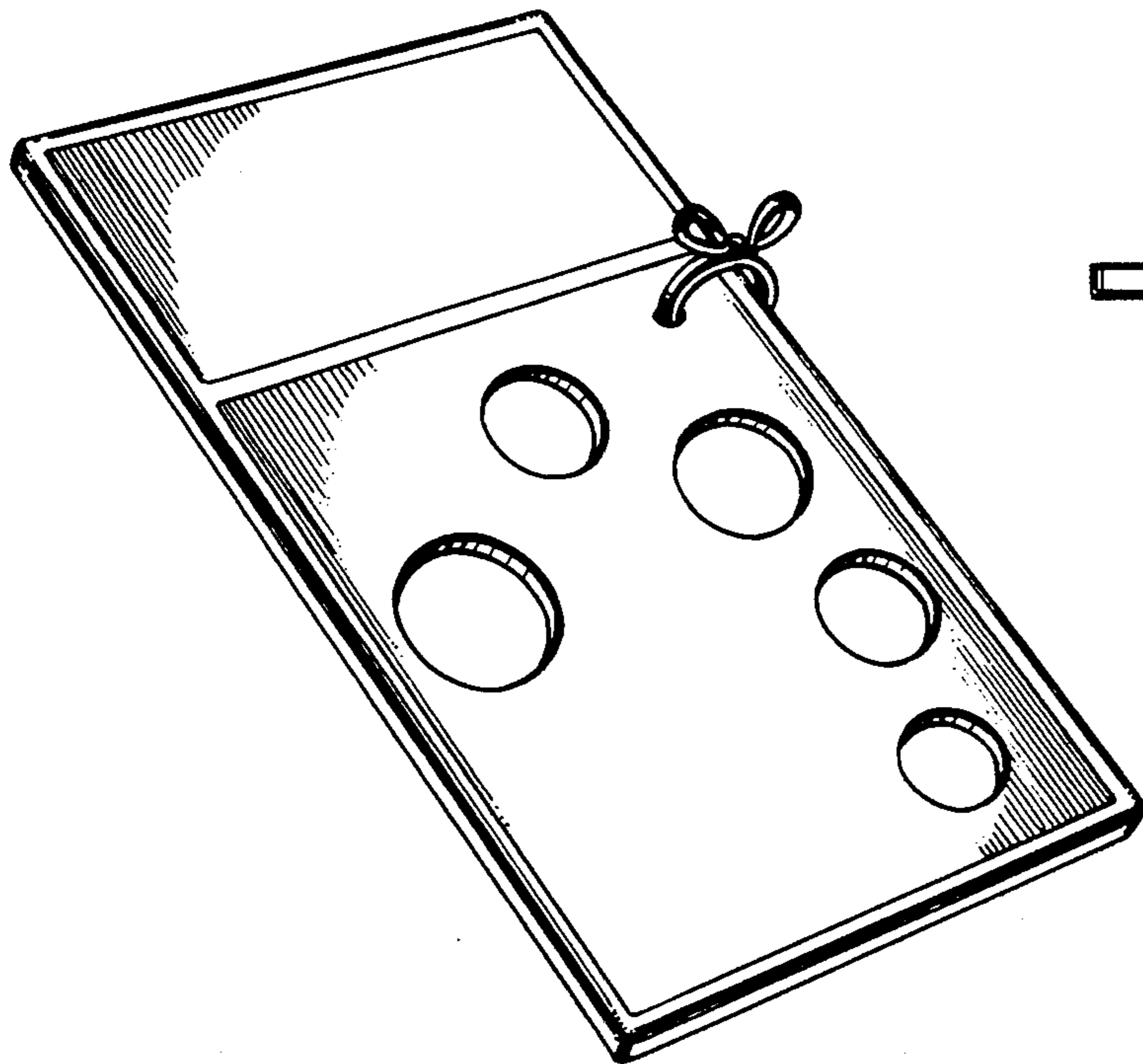


FIG. 2

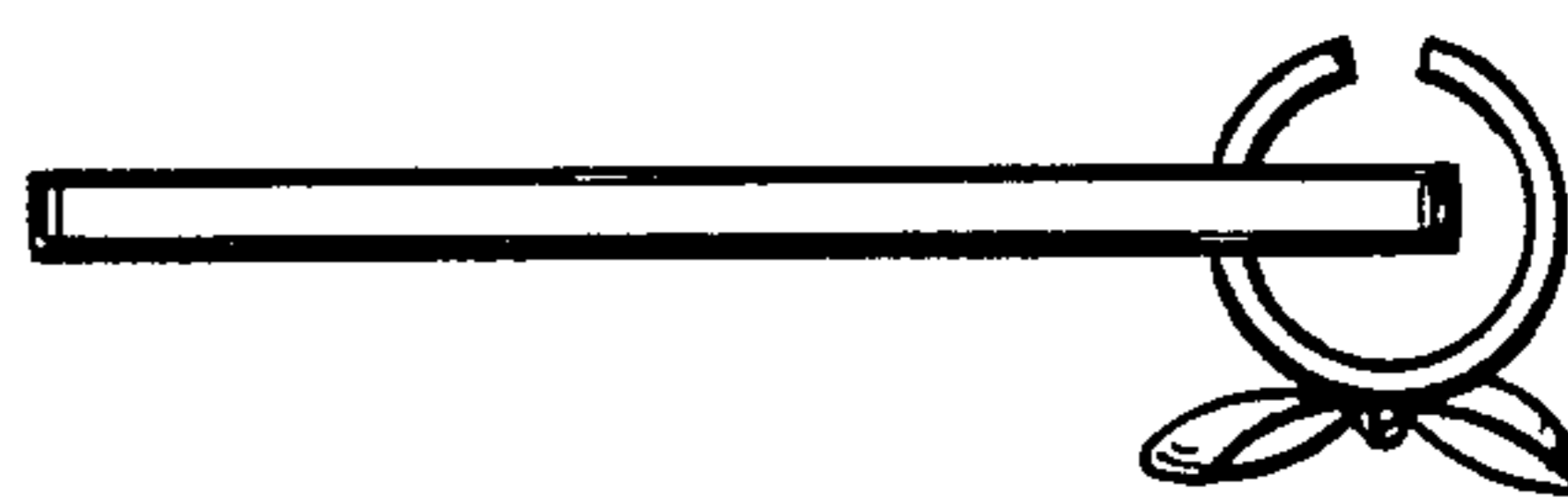


FIG. 3

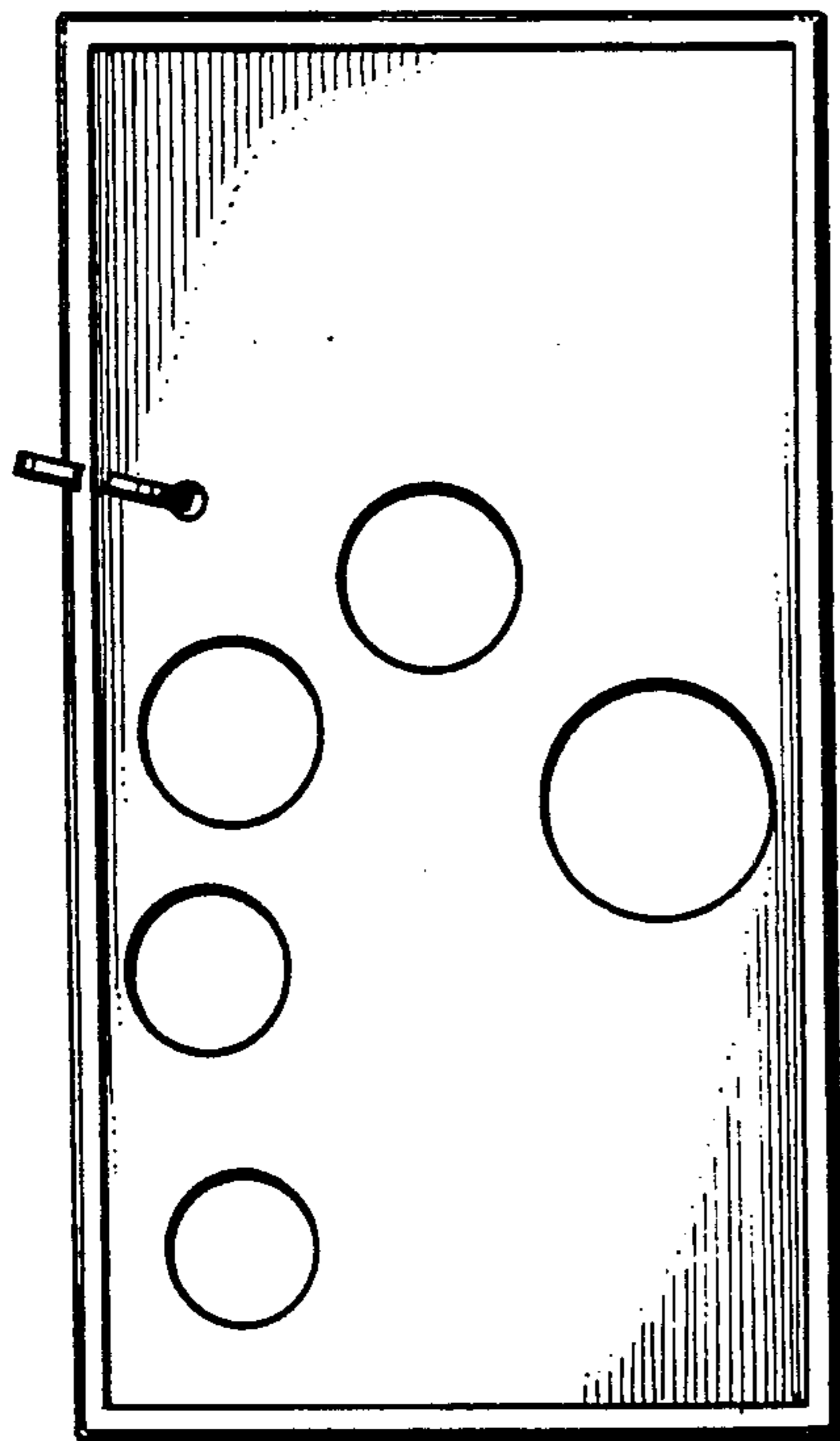


FIG. 4

