

[54] HAIR SPRAY SHIELD FOR ATTACHMENT TO SPRAY CANS

[76] Inventor: George S. Bernyk, 2501 W. Redondo Beach Blvd., Gardena, Calif. 90249

[**] Term: 14 Years

[21] Appl. No.: 661,706

[22] Filed: Feb. 26, 1976

[51] Int. Cl. D28-03

[52] U.S. Cl. D28/9

[58] Field of Search 222/311, 526 X; D9/253, D9/258, 242; D28/9, 10, 99, 7; 2/174

[56] References Cited

U.S. PATENT DOCUMENTS

D. 181,080 9/1957 Tomarin D9/242

D. 198,109	4/1964	Klun	D9/258
D. 204,923	5/1966	Cass	D28/9
D. 234,189	1/1975	Hesselgren	D9/242
2,764,325	9/1956	Pellandini	222/570

Primary Examiner—Robert C. Spangler
Attorney, Agent, or Firm—Francis X. LoJacono, Sr.

[57] CLAIM

The ornamental design for a hair spray shield for attachment to spray cans, as shown and described.

DESCRIPTION

FIG. 1 is a perspective view of a hair spray shield for attachment to spray cans showing my new design; FIG. 2 is a side-elevational view; FIG. 3 is a front-elevational view; and FIG. 4 is a bottom plan view thereof. The broken line showing a portion of a spray can in FIG. 2 is for illustrative purposes only.

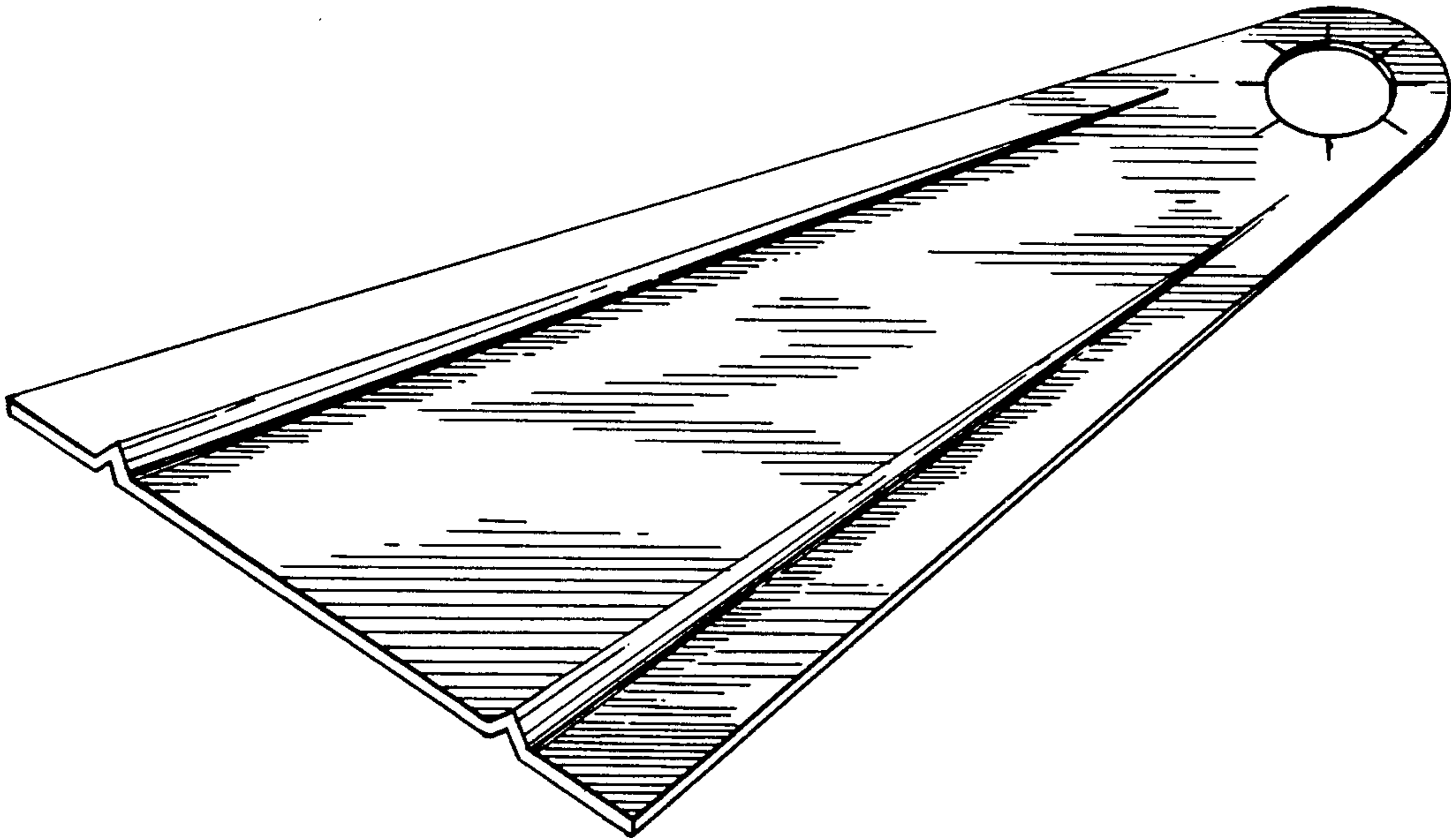


FIG. 1

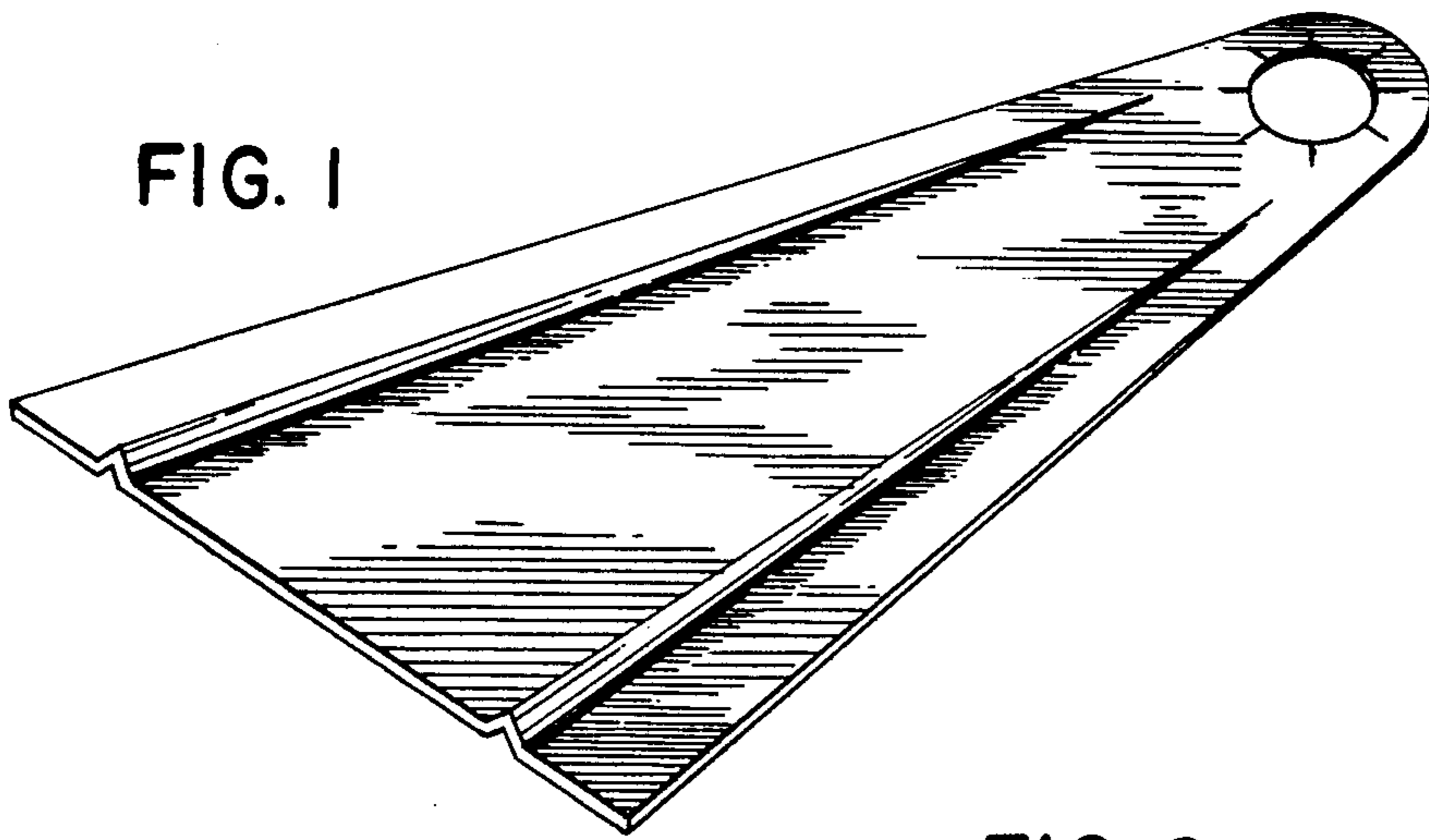


FIG. 2

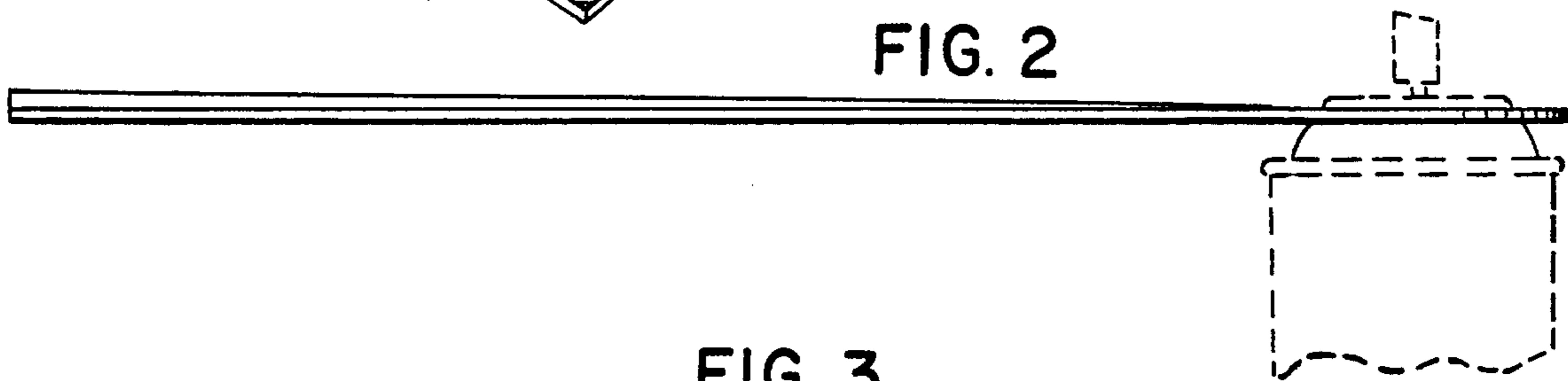


FIG. 3



FIG. 4

