

[54] MOUNTING PLATE FOR ARCHERY BOW SIGHTS

[76] Inventor: Gerald I. Killian, 16016 SE. 82nd Dr., Clackamas, Oreg. 97015

[**] Term: 14 Years

[21] Appl. No.: 670,394

[22] Filed: Mar. 25, 1976

[51] Int. Cl. D22-05

[52] U.S. Cl. D22/5

[58] Field of Search 126/24, 25; 33/265; D8/354, 355, 366, 373, 380, 381, 349; D22/5, 12, 99

[56] References Cited

U.S. PATENT DOCUMENTS

- D. 214,895 8/1969 Hamilton D22/5
- D. 242,540 11/1976 Jacobs D22/5

Primary Examiner—A. Hugo Word
Attorney, Agent, or Firm—Oliver S. Olson

[57] CLAIM

The ornamental design for a mounting plate for archery bow sights, as shown.

DESCRIPTION

FIG. 1 is a side elevation of a design for mounting plate for archery bow sights, showing my new design.

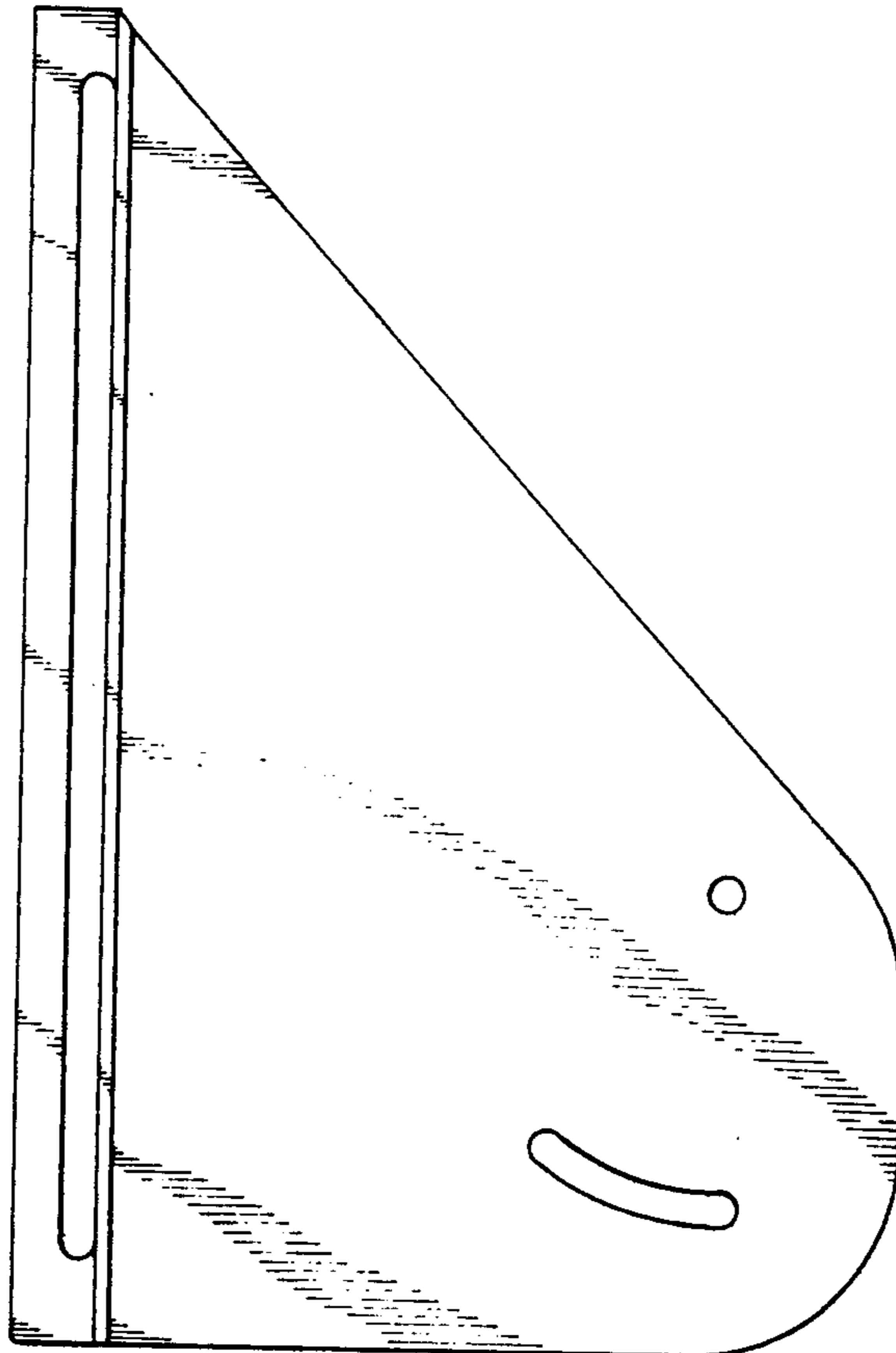
FIG. 2 is a top plan view as viewed from the top in FIG. 1.

FIG. 3 is a front elevation as viewed from the left in FIG. 1.

FIG. 4 is a bottom plan view as viewed from the bottom in FIG. 1.

FIG. 5 is a rear elevation as viewed from the right in FIG. 1.

FIG. 6 is a side elevation of the side opposite that shown in FIG. 1.



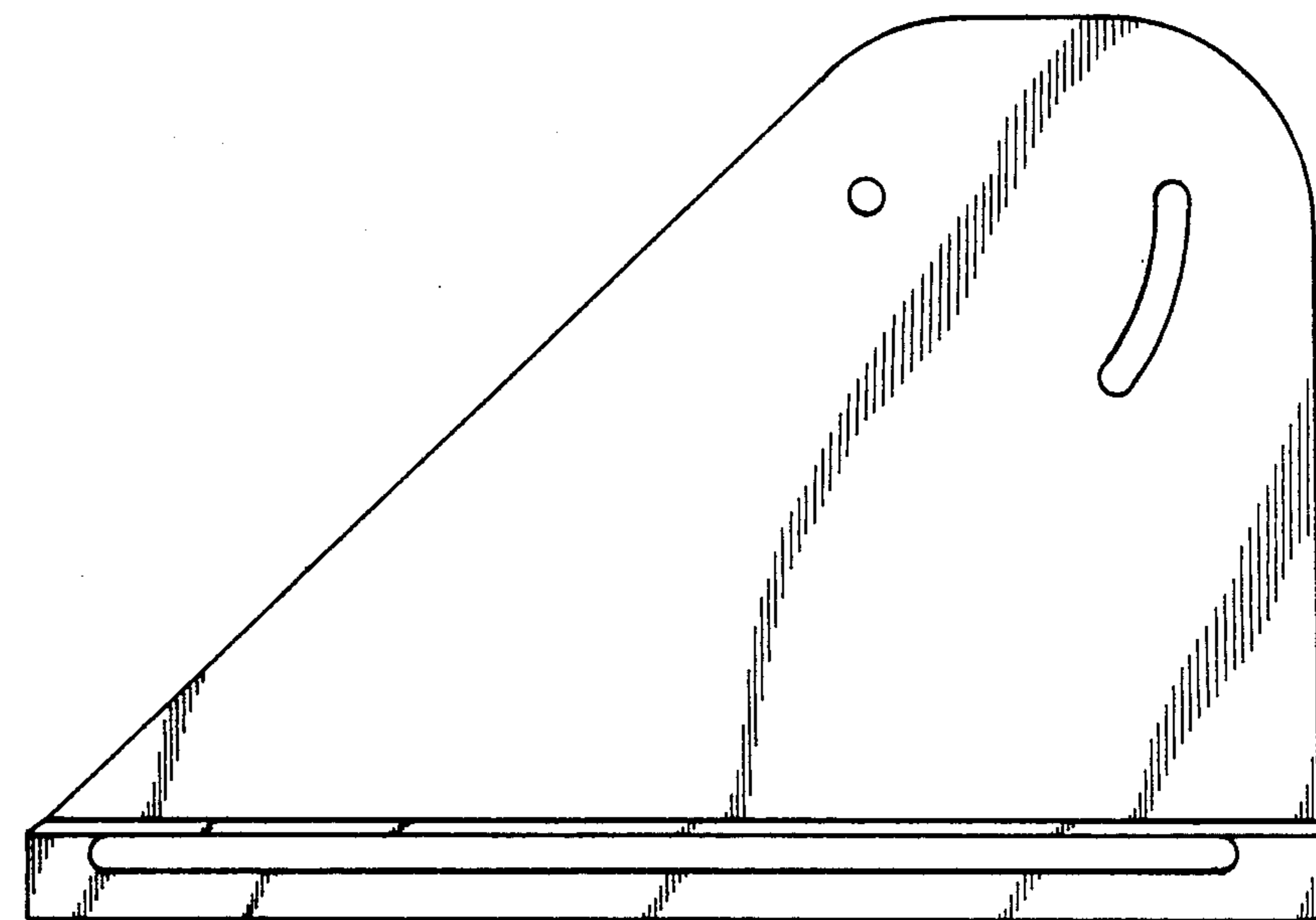


Fig. 1.

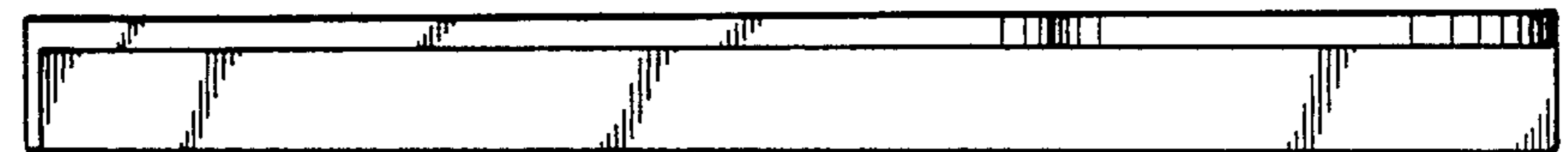


Fig. 5.

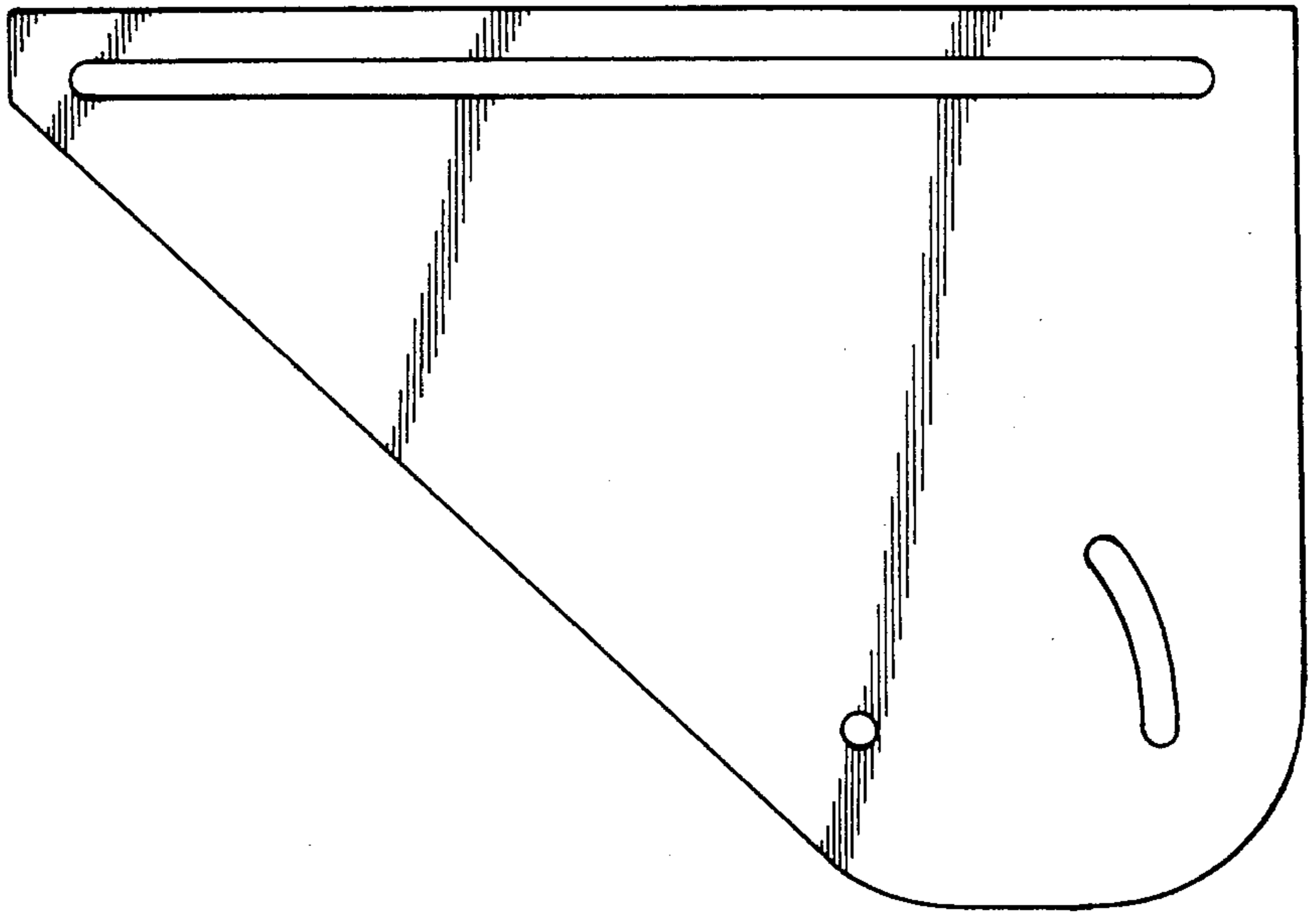


Fig. 6.

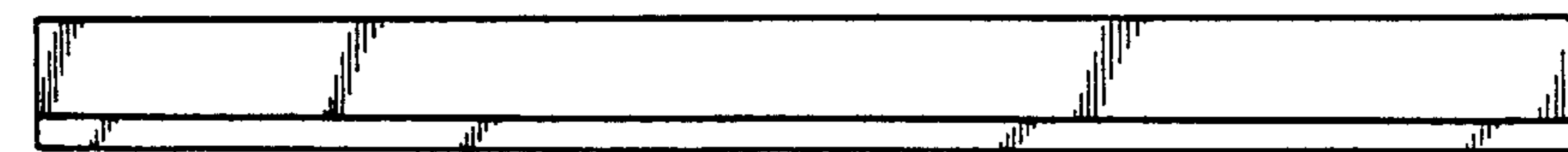


Fig. 3.

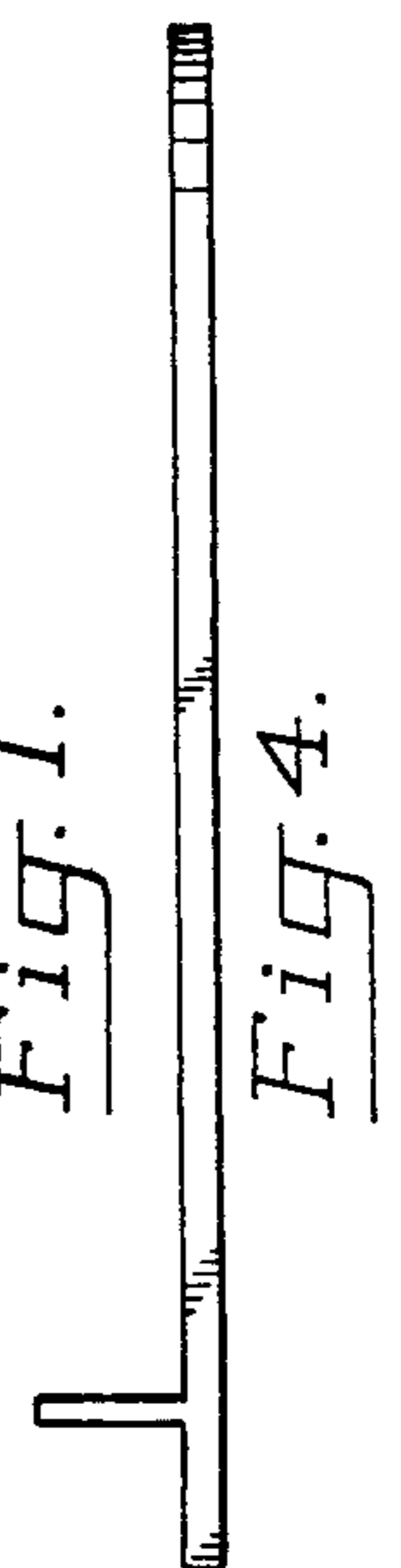


Fig. 4.