

[54] LENS CAP RETAINER

[76] Inventor: Armond Blumberg, 312 A Plochman La., Woodstock, N.Y. 12498

[**] Term: 7 Years

[21] Appl. No.: 745,961

[22] Filed: Nov. 29, 1976

[51] Int. Cl. D16-99

[52] U.S. Cl. D16/50

[58] Field of Search D16/38, 49, 50; 350/58, 350/65; 354/202; D10/72; 242/107; D2/400; D87/8.1, 8.3, 8.2; 24/3 R, 3 M, 73 R, 73 AS, 73 CS, 73 PS, 73 VA

[56] References Cited

U.S. PATENT DOCUMENTS

| | | | |
|-----------|---------|----------------|----------|
| 2,583,228 | 1/1952 | Numbers | 350/65 |
| 3,422,498 | 1/1969 | Carlson | 24/3 R |
| 3,924,786 | 12/1975 | Duquette | 24/3 R X |

OTHER PUBLICATIONS

Photographic Trade News Master Buying Guide-1976, vol. 39-p. 181-Sima Products "Capkeeper".

Primary Examiner—Wallace R. Burke
Assistant Examiner—Catherine Kemper
Attorney, Agent, or Firm—Elliott E. Haymovitz

[57] CLAIM

The ornamental design for a lens cap retainer, as shown and described.

DESCRIPTION

FIG. 1 is a perspective view of the lens cap retainer, showing our new design.

FIG. 2 is a rear view of the lens cap retainer.

FIG. 3 is a front view thereof.

FIG. 4 is a side view thereof.

FIG. 5 is a top view thereof.

FIG. 6 is a sectional view thereof, taken on line 6-6 of FIG. 3.

FIG. 7 is an exploded elevational view of the lens cap retainer, at a reduced scale, showing the reel portion extendable string member elastically affixed to the pressure sensitive dome, which is permanently attached to the lens cap.

In FIG. 5, the string member has been shown broken away to indicate indeterminate length and for convenience of illustration.

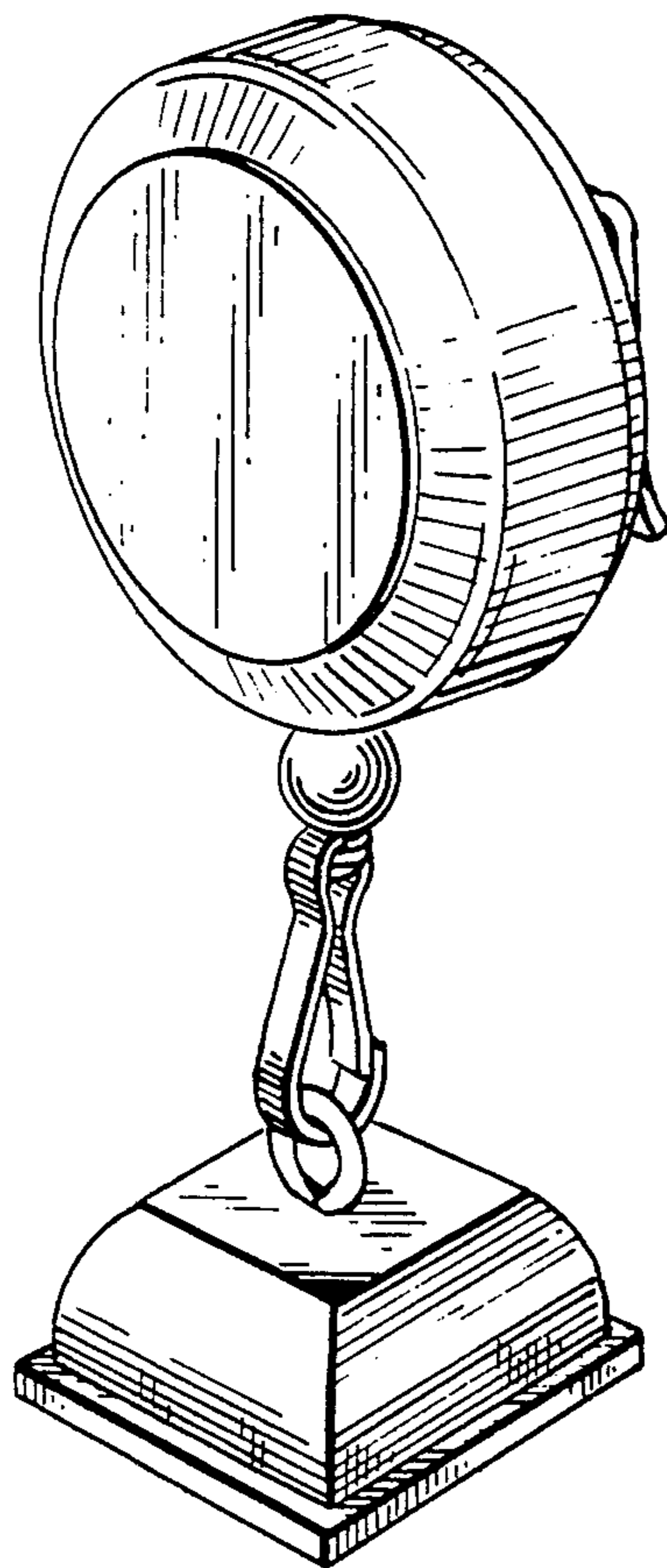


FIG. 2

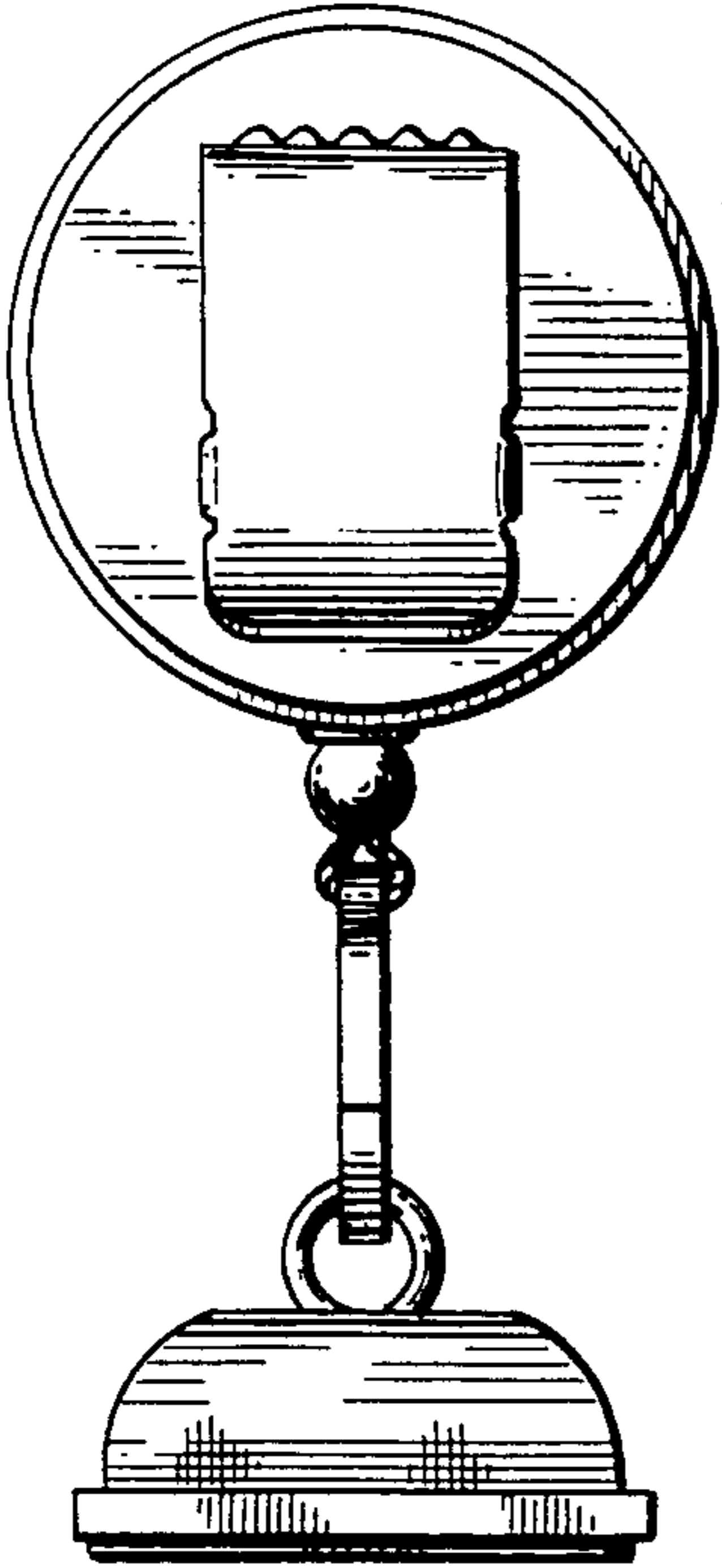


FIG. 3

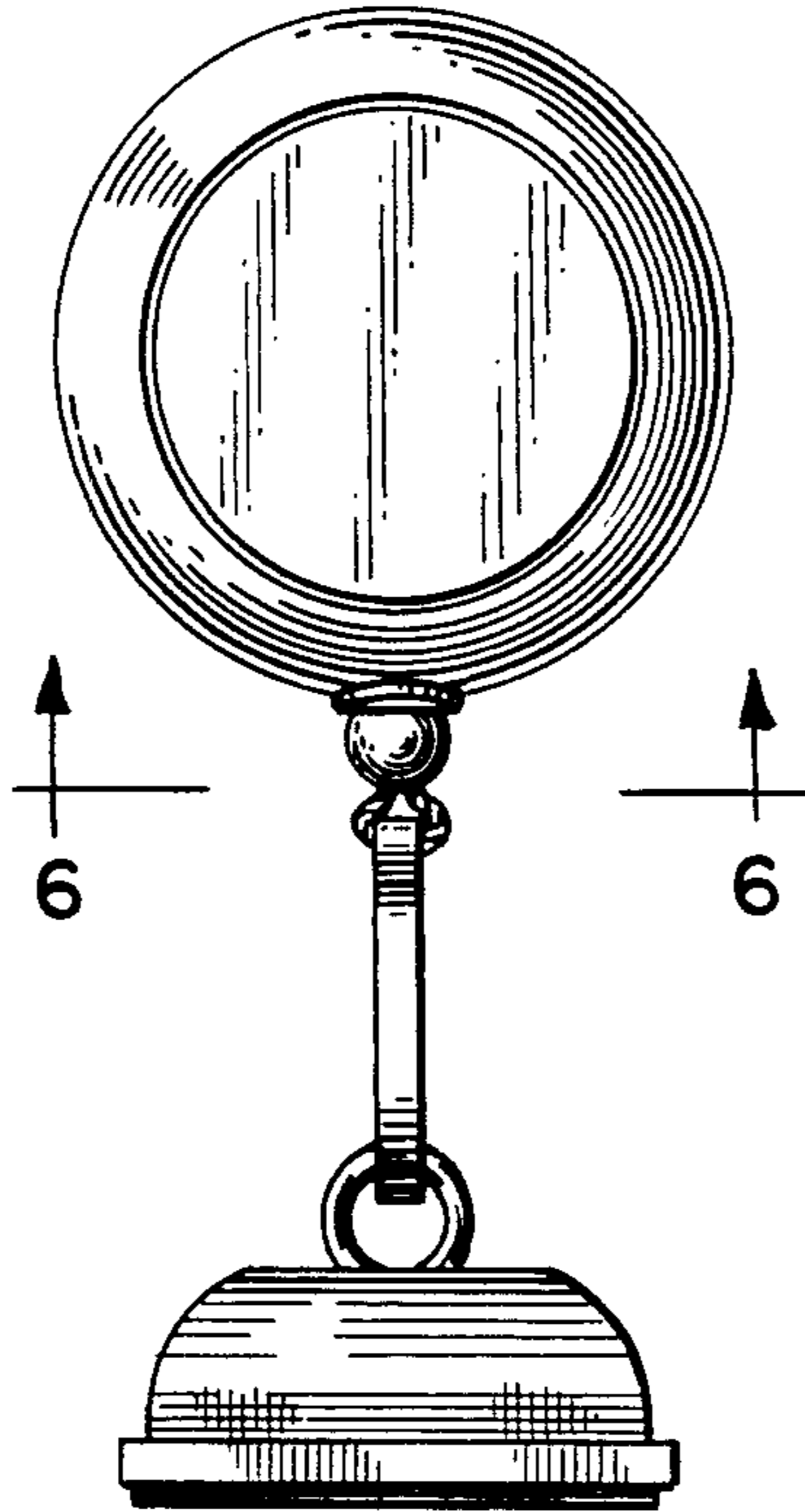


FIG. 4

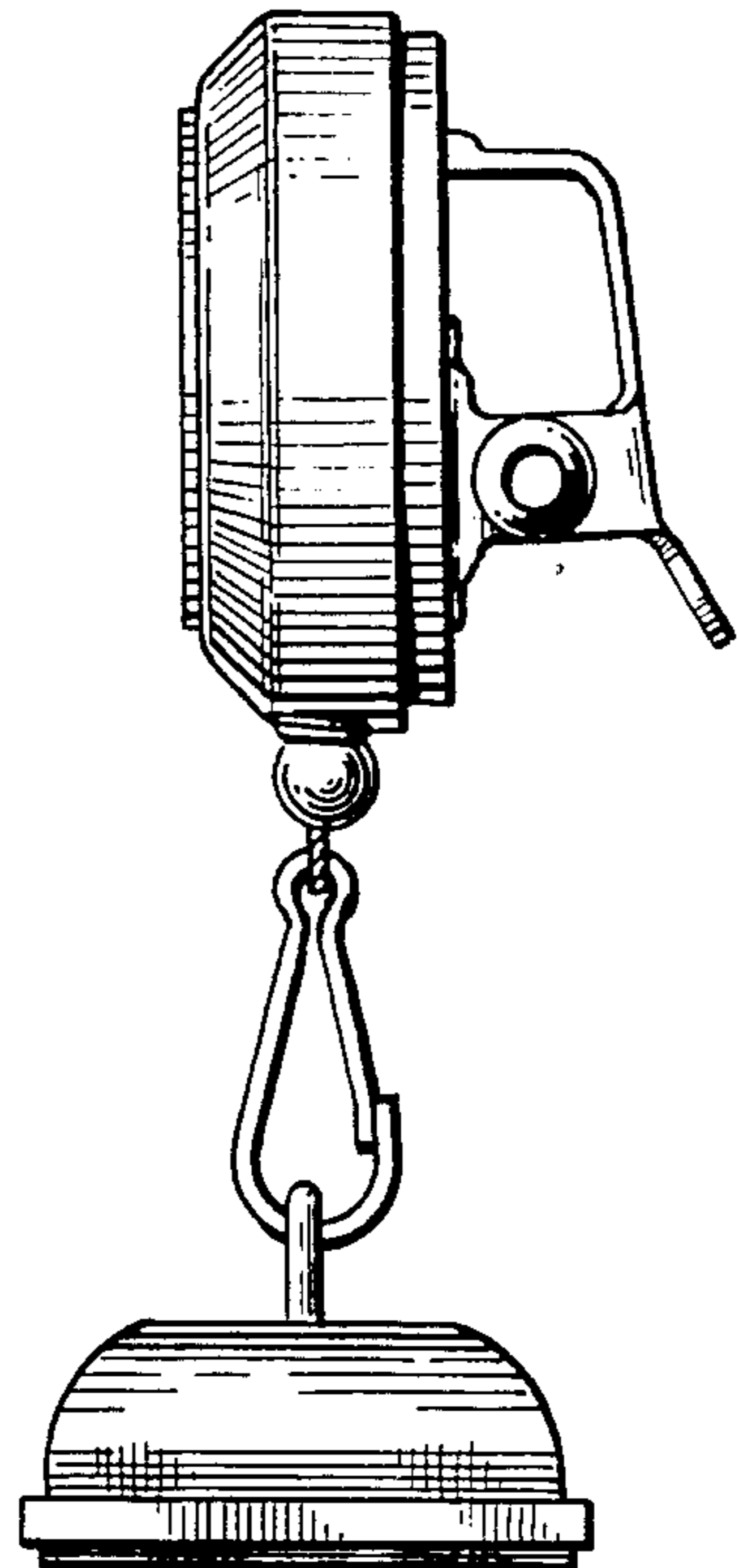


FIG. 6

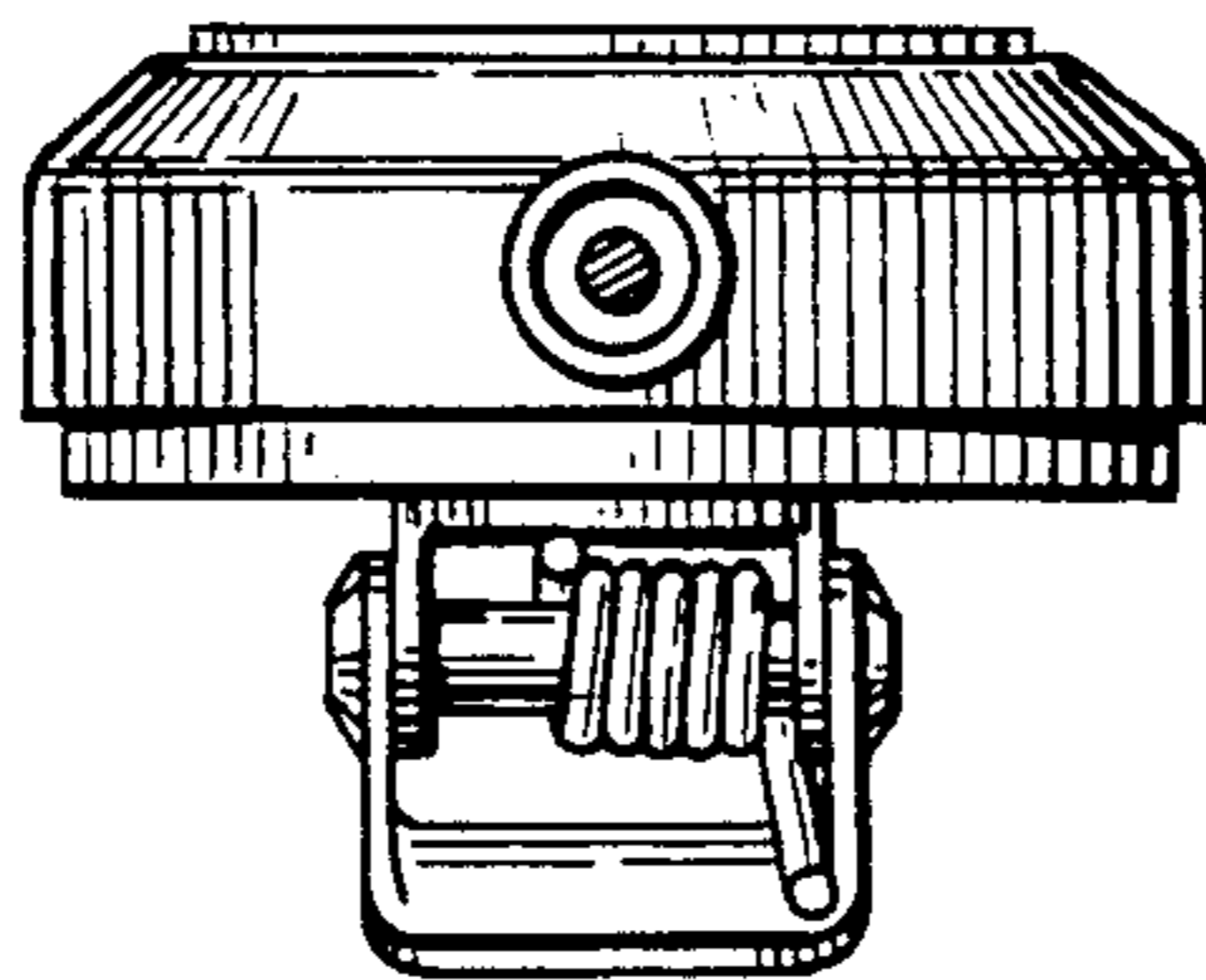


FIG. 1

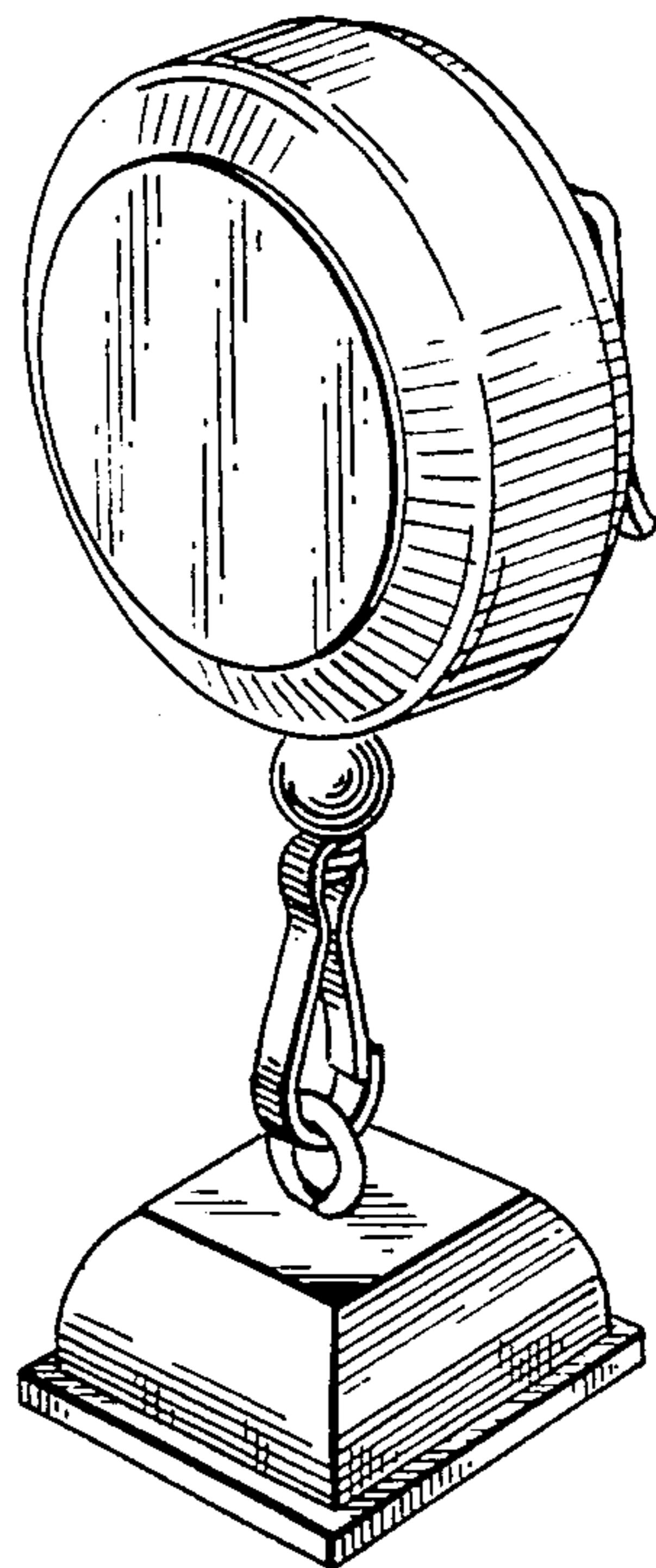


FIG. 5

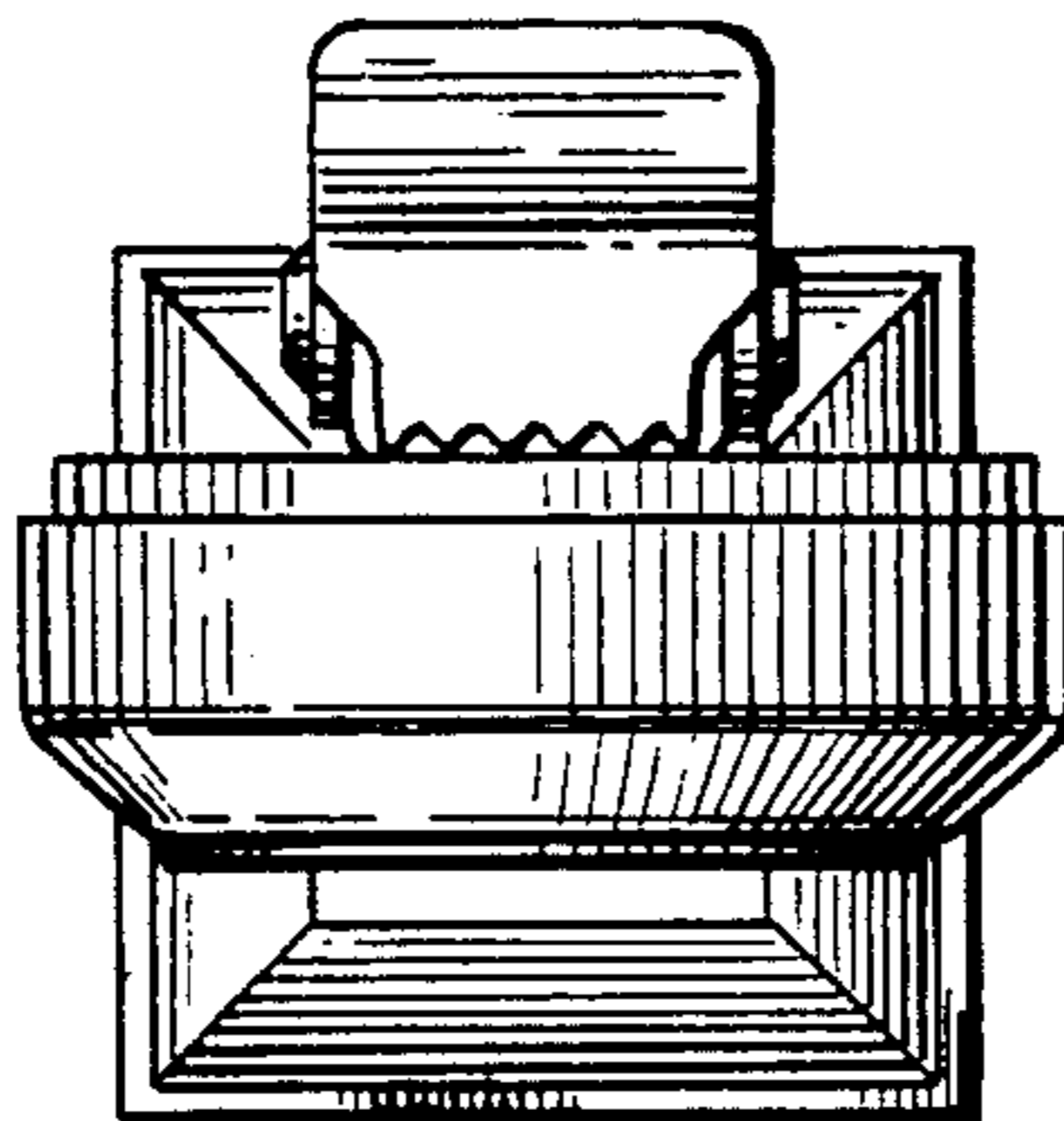


FIG. 7

