

[54] MOTOR CYCLE SIDE PANNIER

[75] Inventor: Leonard Watson-O'Hara, Manchester, England

[73] Assignee: Screenflow Accessories Limited, Bolton, England

[**] Term: 14 Years

[21] Appl. No.: 742,504

[22] Filed: Nov. 16, 1976

[51] Int. Cl. D12-11

[52] U.S. Cl. D12/158

[58] Field of Search D12/158; 224/32 A, 32 R, 224/30 R, 42.03 A, 42.11, 42.31; 280/289 R; D87/1 R

[56] References Cited

U.S. PATENT DOCUMENTS

2,783,927 3/1957 Harley 224/32 R

OTHER PUBLICATIONS

Dealer's Voice, Feb./Mar. 1969, rear cover, saddlebags, bottom center of page.

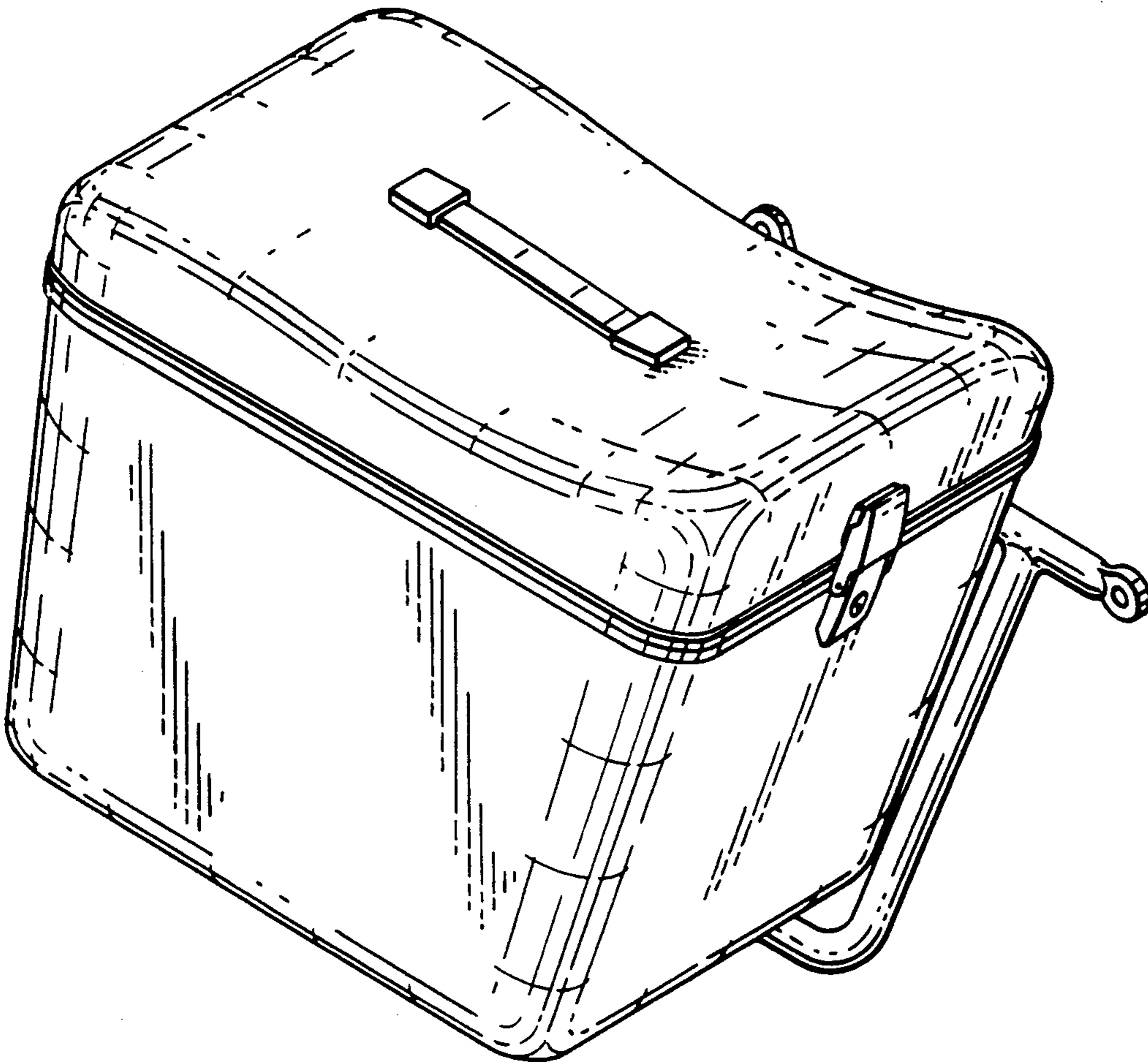
Primary Examiner—Wallace R. Burke
Assistant Examiner—James M. Gandy
Attorney, Agent, or Firm—Irvin S. Thompson

[57] CLAIM

The ornamental design for a motorcycle side pannier, as shown.

DESCRIPTION

FIG. 1 is a top perspective view of a motorcycle side pannier showing my new design; FIG. 2 is a bottom plan view thereof; FIG. 3 is an elevational view of the side opposite to that shown in FIG. 1; and FIG. 4 is an elevational view of the end opposite to that shown in FIG. 1.



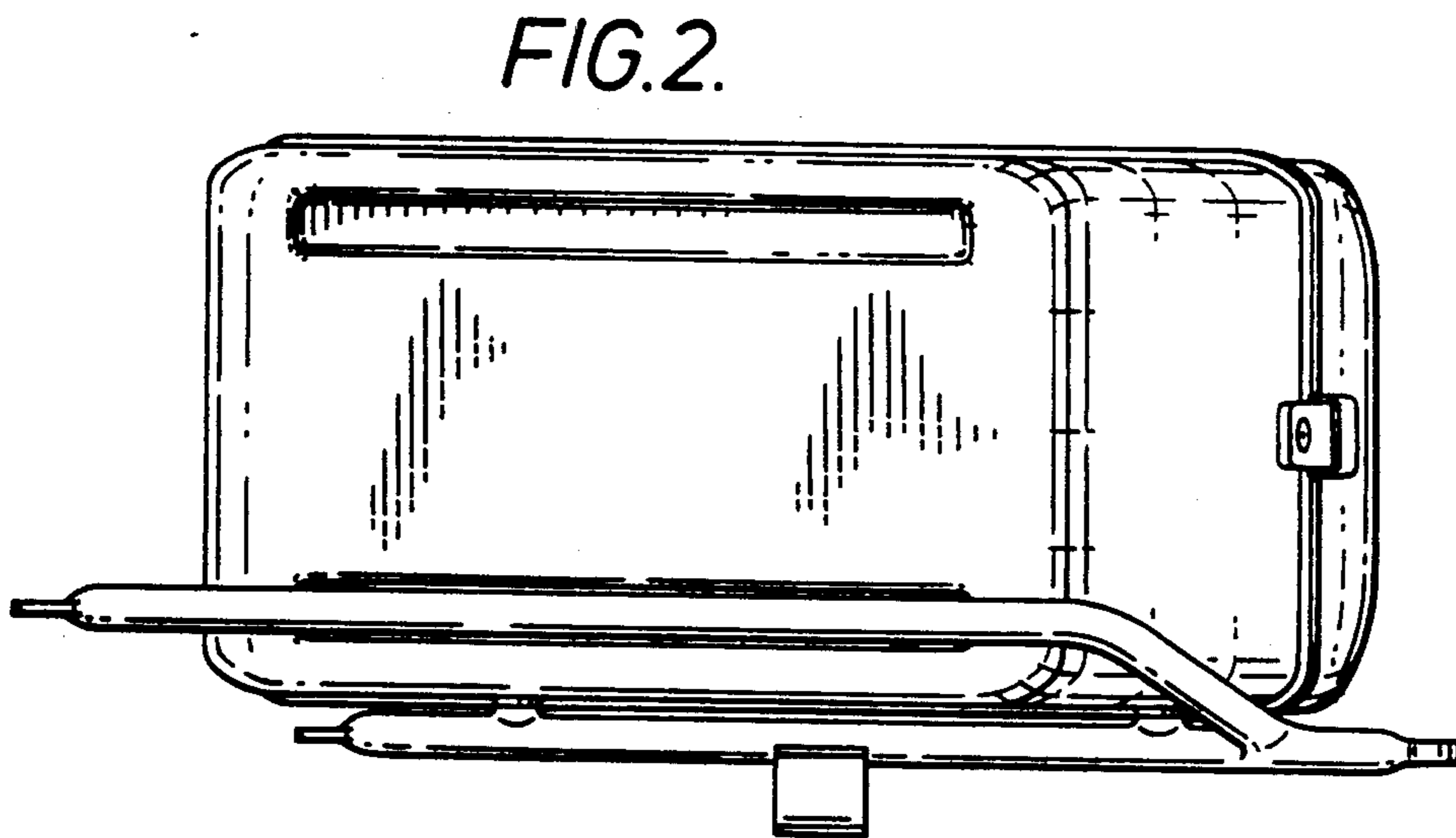
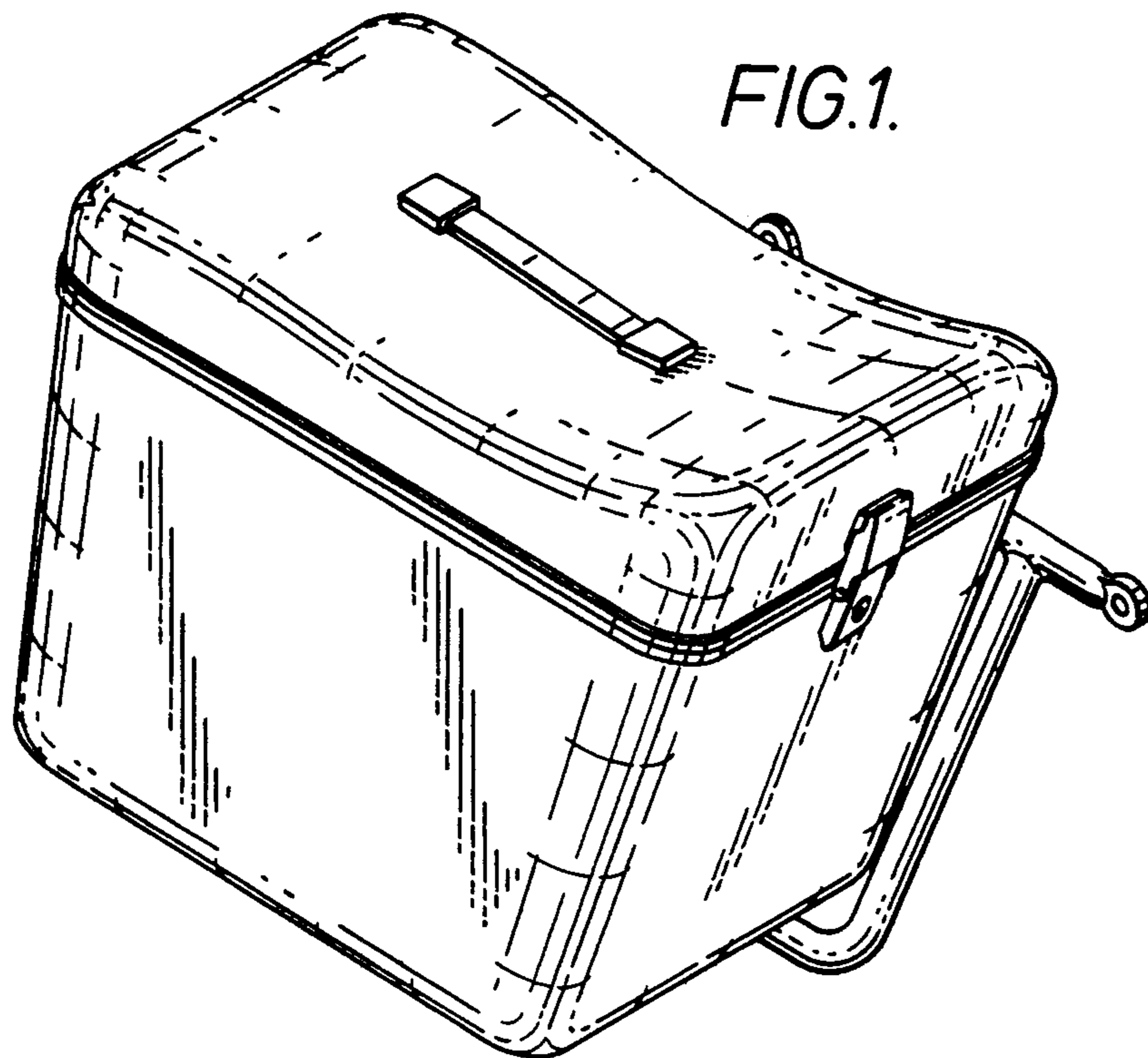


FIG. 3.

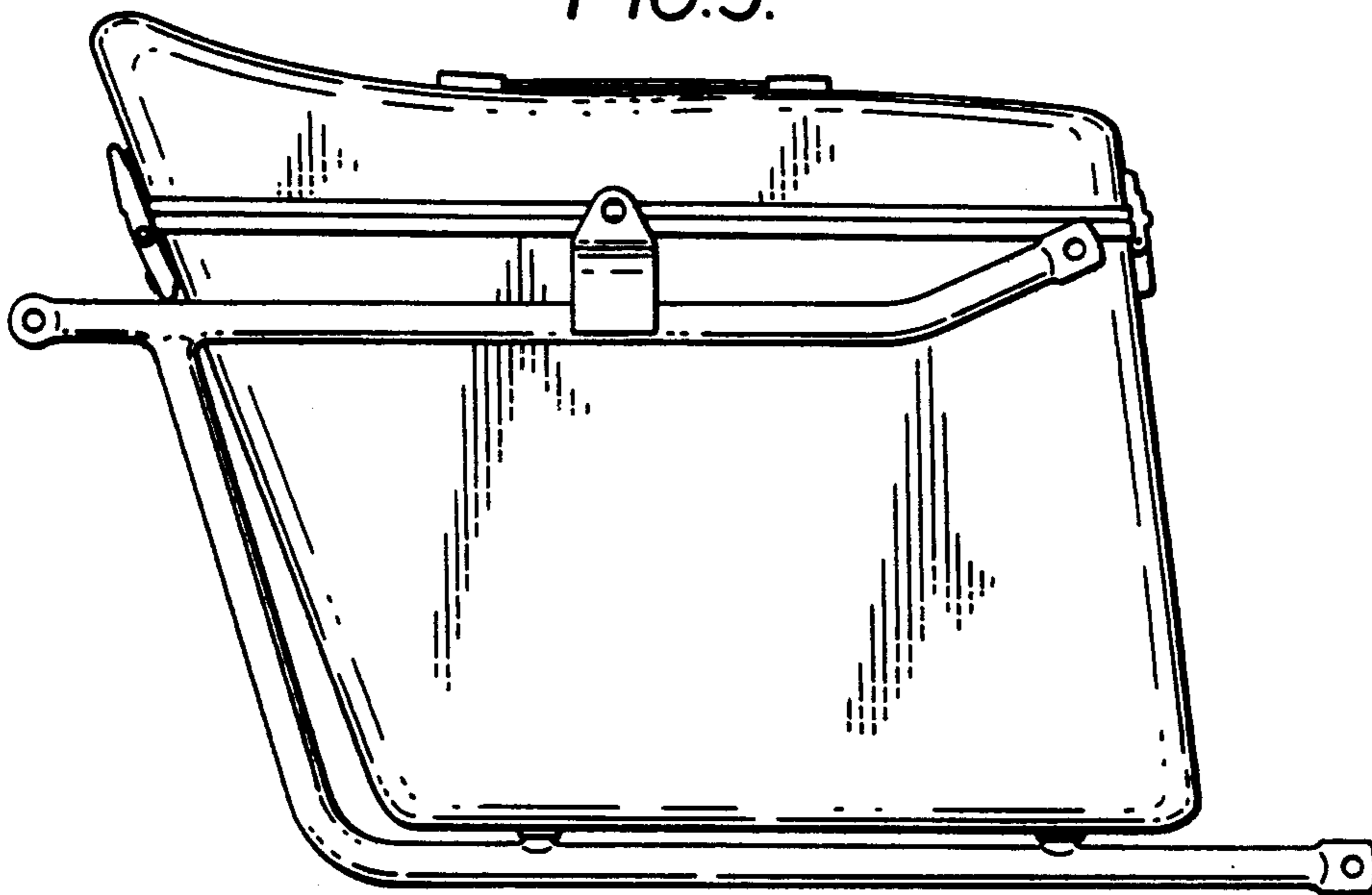


FIG. 4.

