

[54] PLASTIC BOTTLE

[76] Inventor: Charles Sagona, 1209 Canterbury Rd., Clearwater, Fla. 33516

[\*\*] Term: 14 Years

[21] Appl. No.: 669,905

[22] Filed: Mar. 24, 1976

[51] Int. Cl. .... D9-01

[52] U.S. Cl. .... D9/130

[58] Field of Search .... D9/59-71, D9/195, 23, 129-130, 18

[56]

References Cited

U.S. PATENT DOCUMENTS

D. 86,724	4/1932	Joseph .....	D9/139
D. 214,719	7/1969	Terre .....	D9/18
D. 218,802	9/1970	Ferraro .....	D9/130
3,888,349	6/1975	MacFarland, Jr. ....	D9/195 X

Primary Examiner—Robert C. Spangler

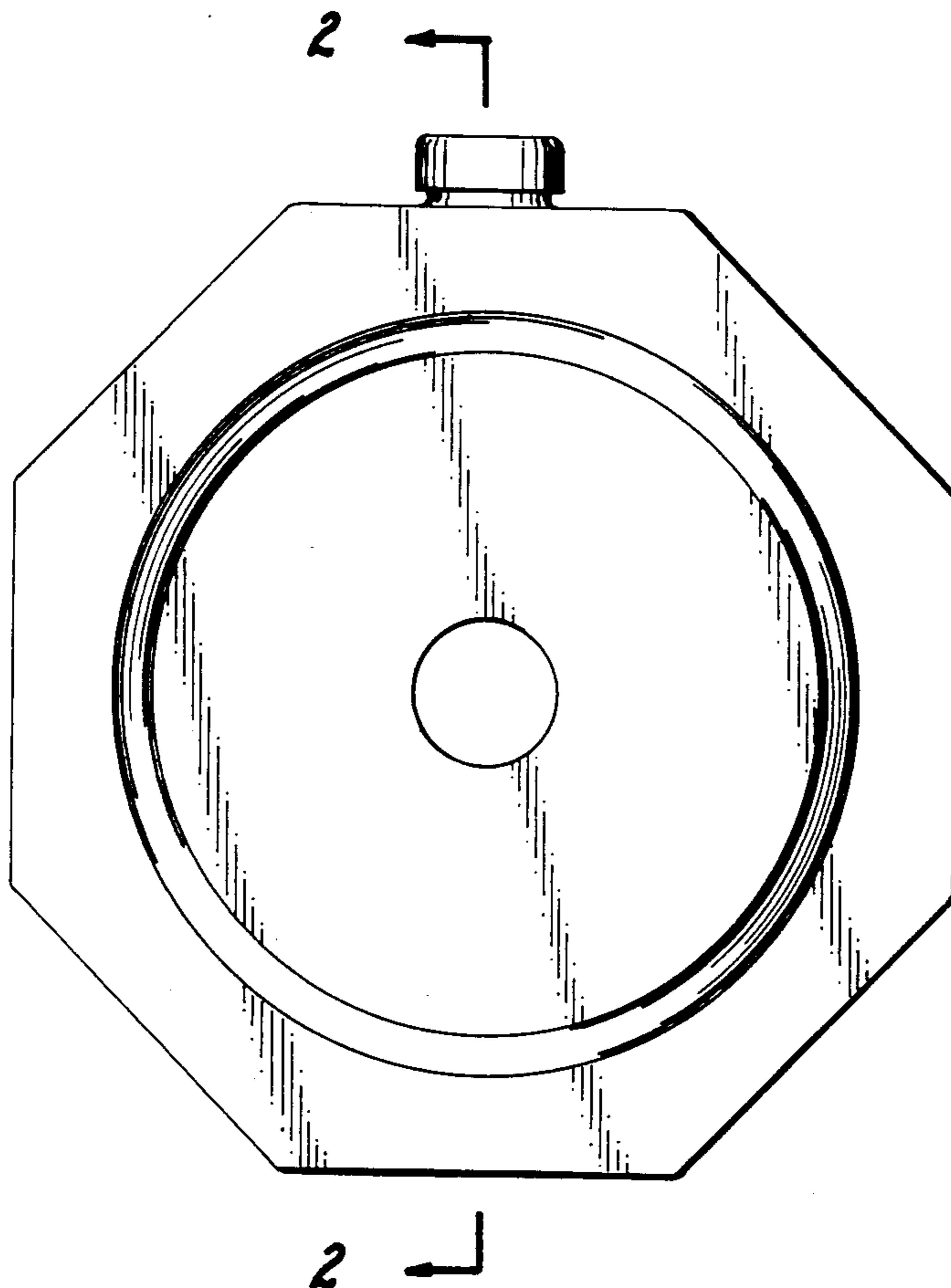
[57]

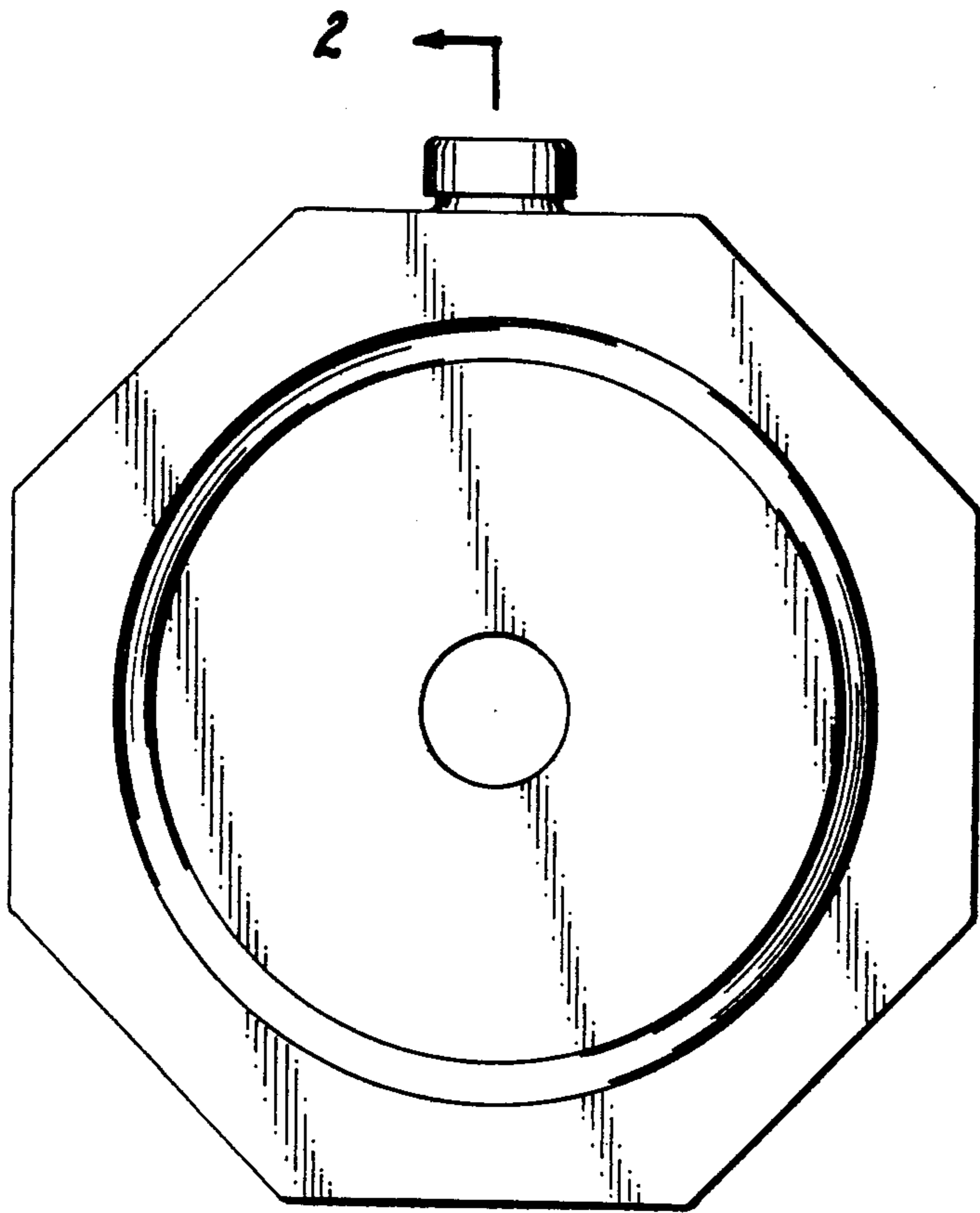
CLAIM

The ornamental design for a plastic bottle, substantially as shown.

DESCRIPTION

FIG. 1 is a side elevational view of a plastic bottle showing my new design; and FIG. 2 is a sectional view thereof taken on line 2 — 2 of FIG. 1.





2  
Fig. 1

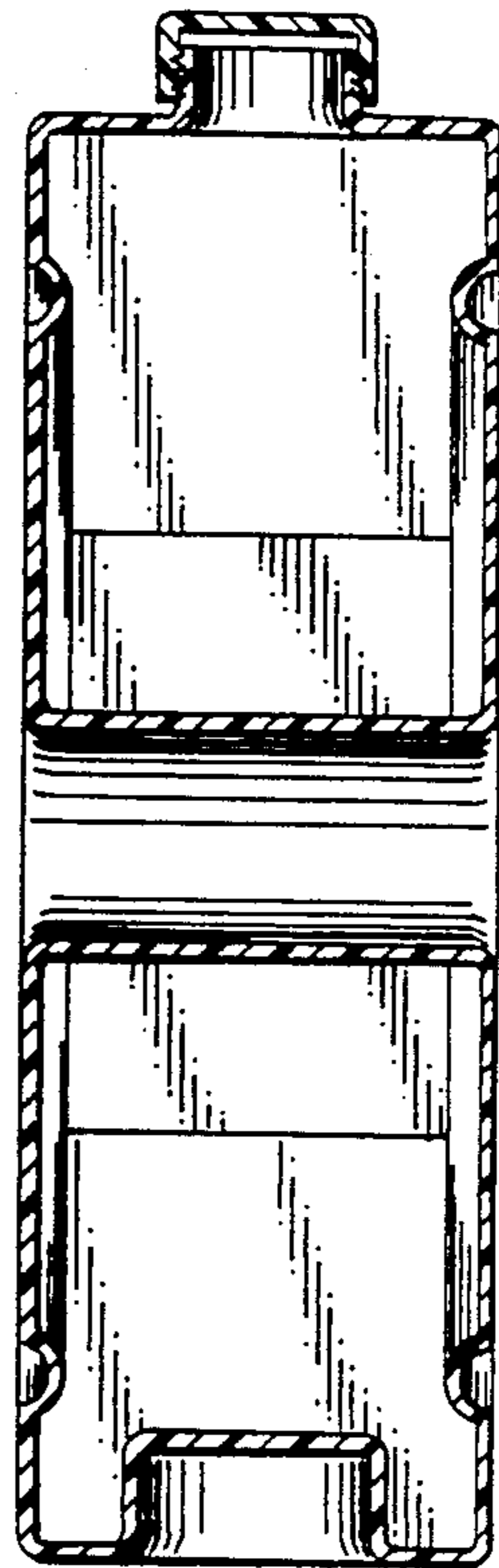


Fig. 2