

[54] PLASTIC BOTTLE

[76] Inventor: Charles Sagona, 1209 Canterbury Rd., Clearwater, Fla. 33516

[**] Term: 14 Years

[21] Appl. No.: 669,904

[22] Filed: Mar. 24, 1976

[51] Int. Cl. D9-01
[52] U.S. Cl. D9/130
[58] Field of Search D9/59-71,
D9/129-130, 195, 23, 18

[56] References Cited

U.S. PATENT DOCUMENTS

D. 86,724	4/1932	Joseph	D9/130
D. 214,719	7/1969	Terre	D9/18
D. 218,802	9/1970	Ferraro	D9/130
3,888,349	6/1975	MacFarland, Jr.	D9/195 X

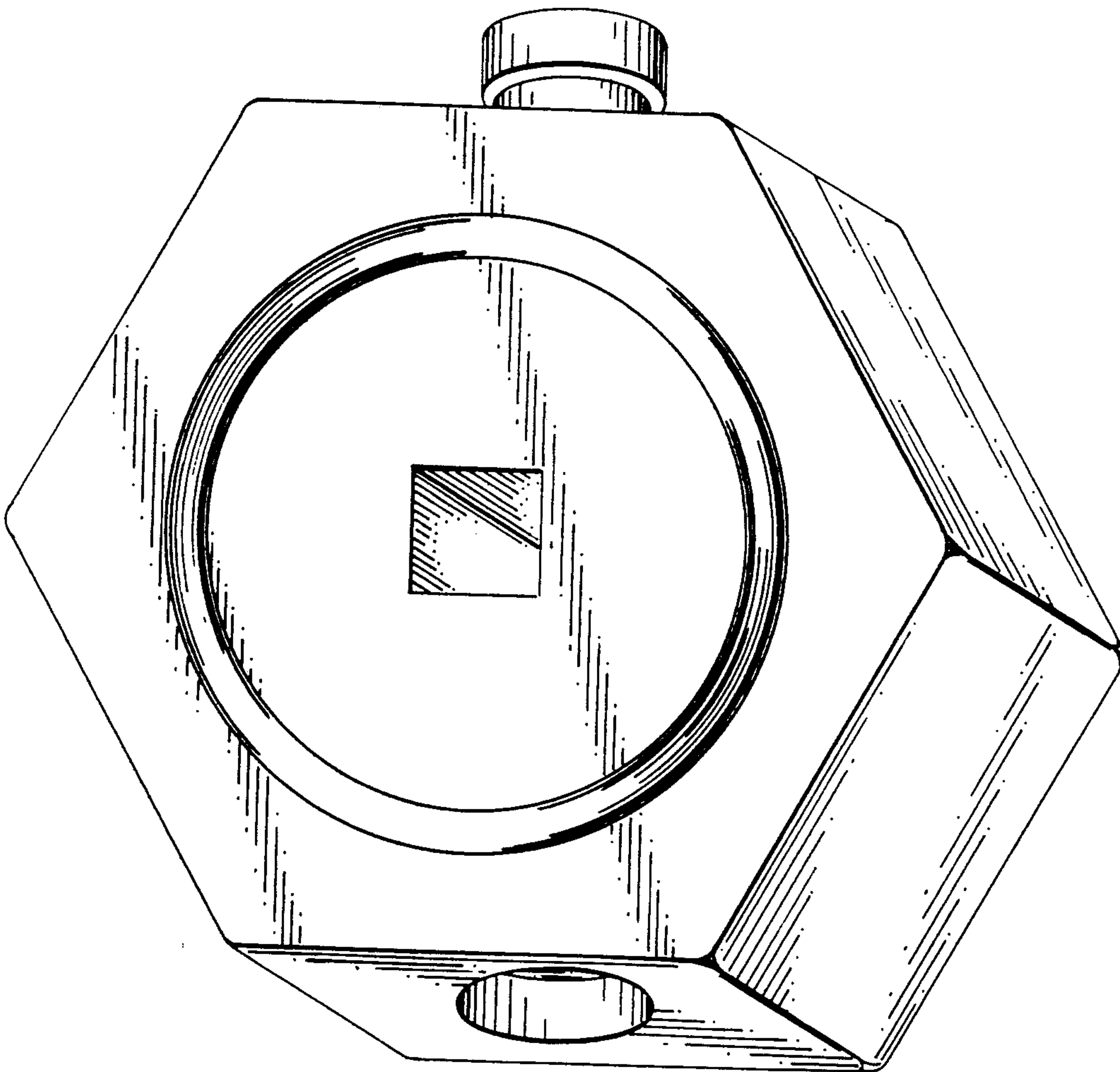
Primary Examiner—Robert C. Spangler

[57] CLAIM

The ornamental design for a plastic bottle, substantially as shown.

DESCRIPTION

FIG. 1 is a perspective view of a plastic bottle showing my new design; FIG. 2 is a side elevation view on a reduced scale; and FIG. 3 is a sectional view taken on line 3—3 of FIG. 2.



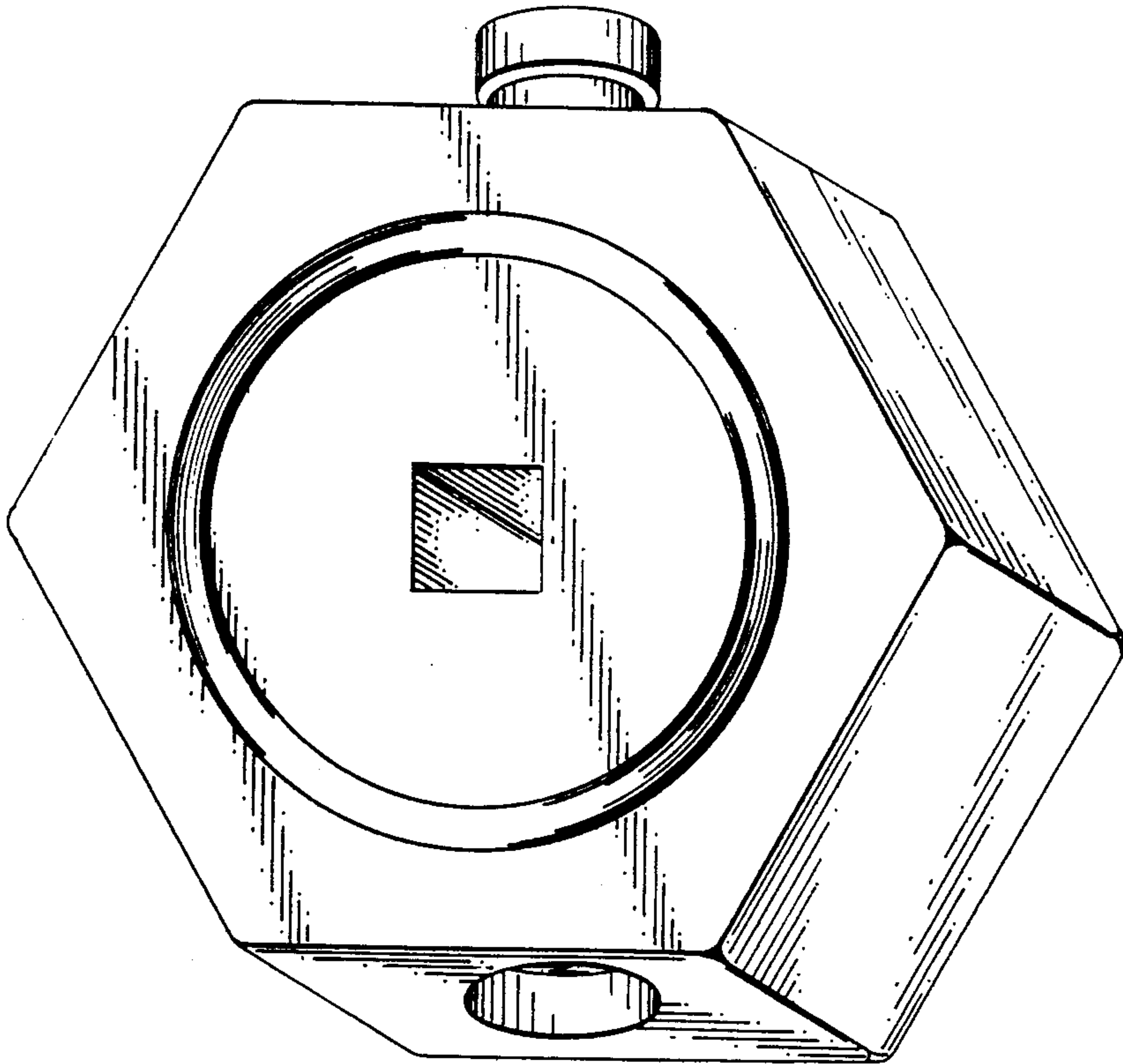


Fig. 1

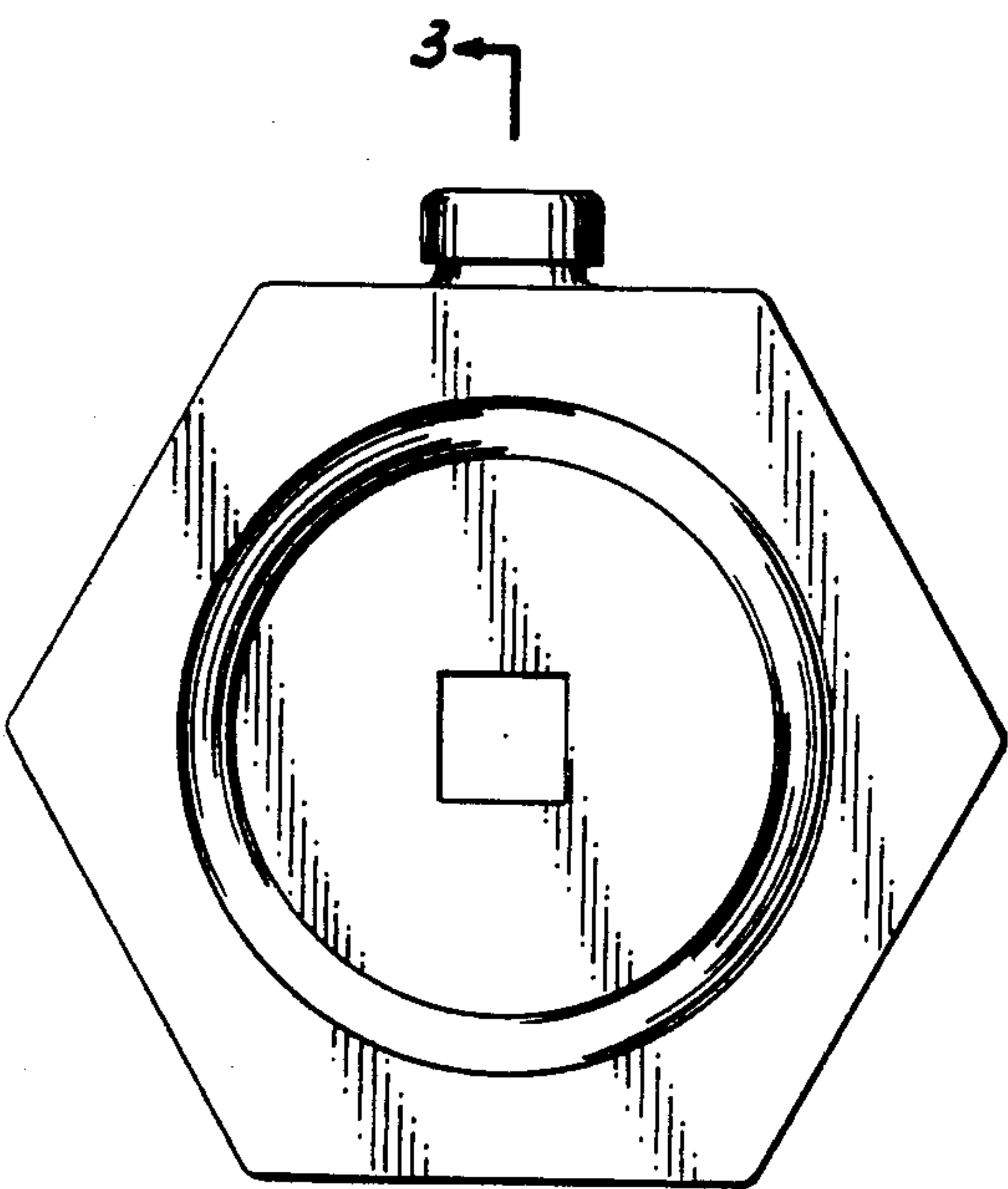


Fig. 2

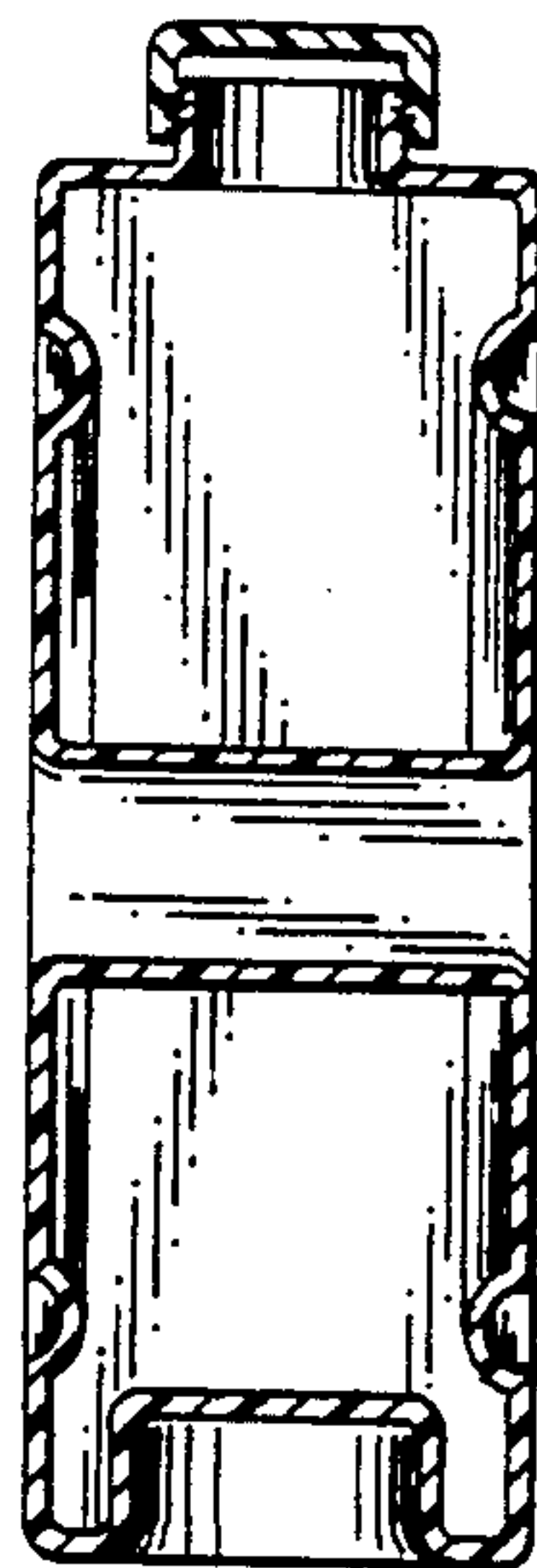


Fig. 3