

[54] WAFFLE BAKER

[76] Inventor: Fred S. Carbon, 105 Days Ave., Buchanan, Mich. 49107

[**] Term: 14 Years

[21] Appl. No.: 685,937

[22] Filed: May 12, 1976

[51] Int. Cl. D7-02

[52] U.S. Cl. D7/87

[58] Field of Search D7/85, 86, 87, 88, 89, D7/91, 92, 94, 95, 96, 97, 41, 136, 129; 99/426, 380, 372, 374; 219/524, 525

[56] References Cited

U.S. PATENT DOCUMENTS

D. 240,586	7/1976	Carbon	D7/88
835,876	11/1906	Andersen	D7/87 X
2,009,790	7/1935	Shroyer	D7/87 X

3,999,473 12/1976 Carbon D7/88 X

OTHER PUBLICATIONS

Wagner Ware Cat., #30, © 1924, p. 76, Round waffle iron shown at top.

Primary Examiner—Winifred E. Herrmann
Attorney, Agent, or Firm—James D. Hall

[57] CLAIM

The ornamental design for a waffle baker, as shown and described.

DESCRIPTION

FIG. 1 is a perspective view of a waffle baker showing my new design;

FIG. 2 is a top plan view thereof;

FIG. 3 is a front elevational view thereof;

FIG. 4 is a side elevational view thereof; and

FIG. 5 is a rear elevational view thereof.

The bottom is unornamented.

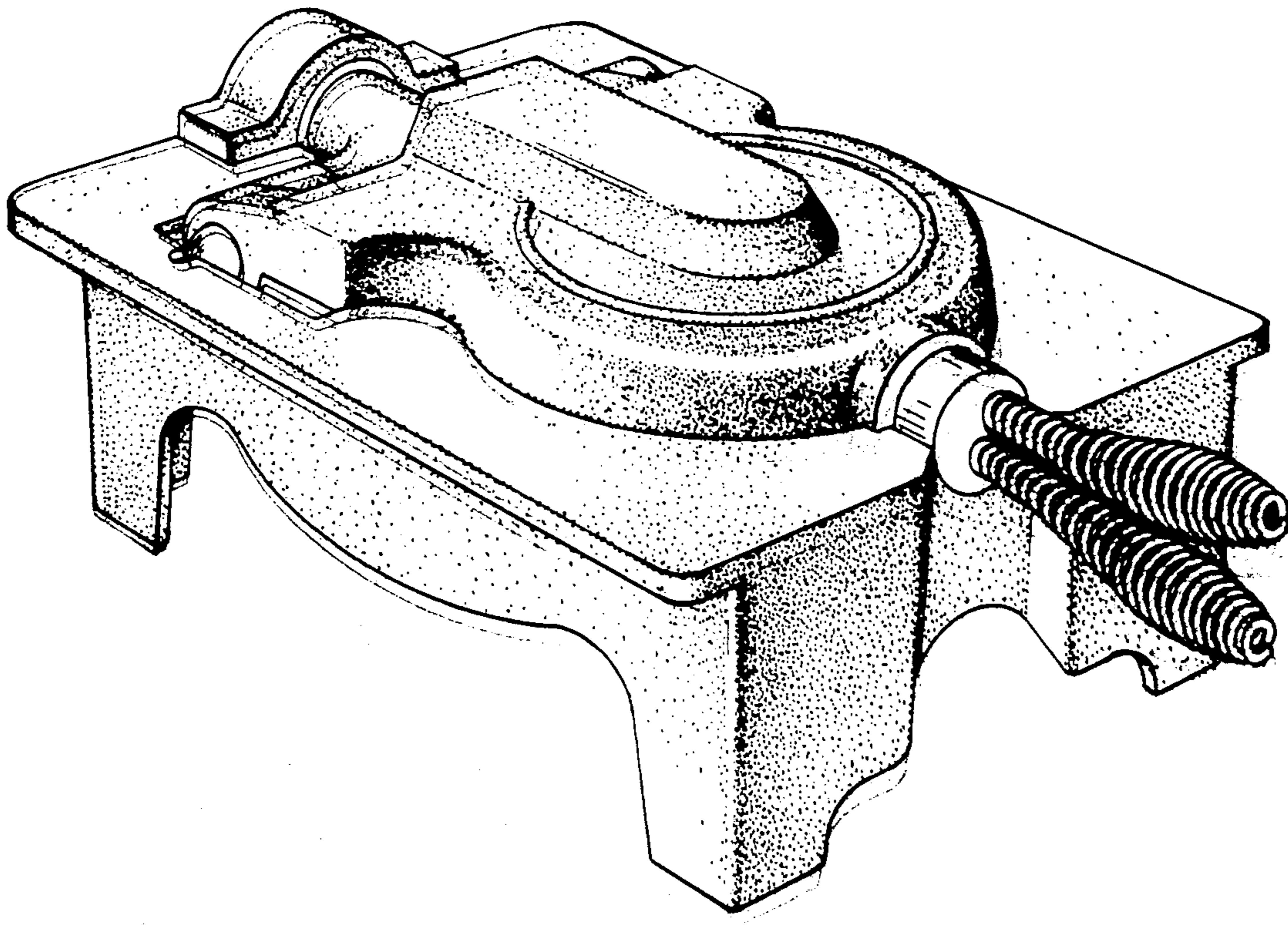


Fig. 1

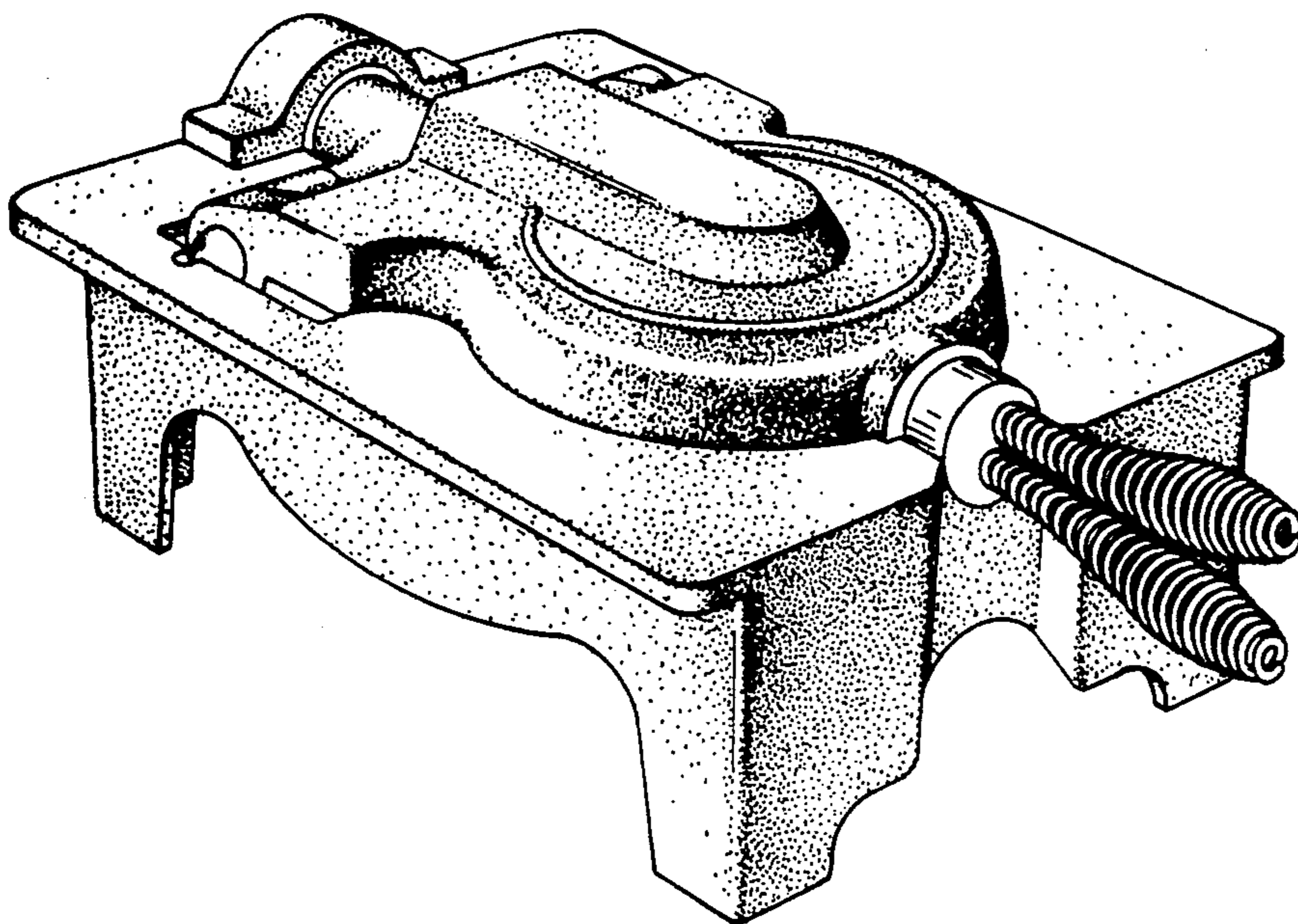


Fig. 2

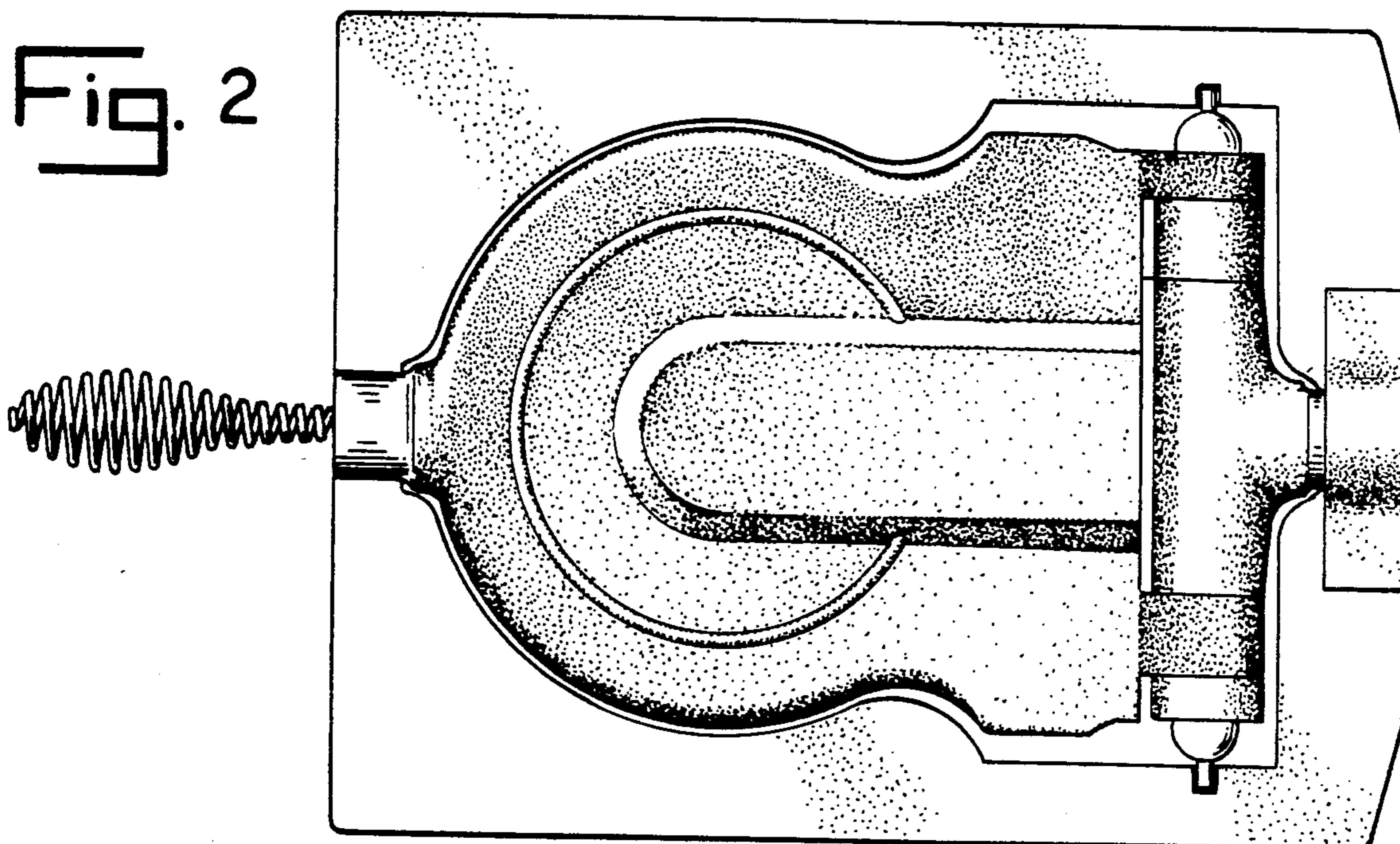


Fig. 3

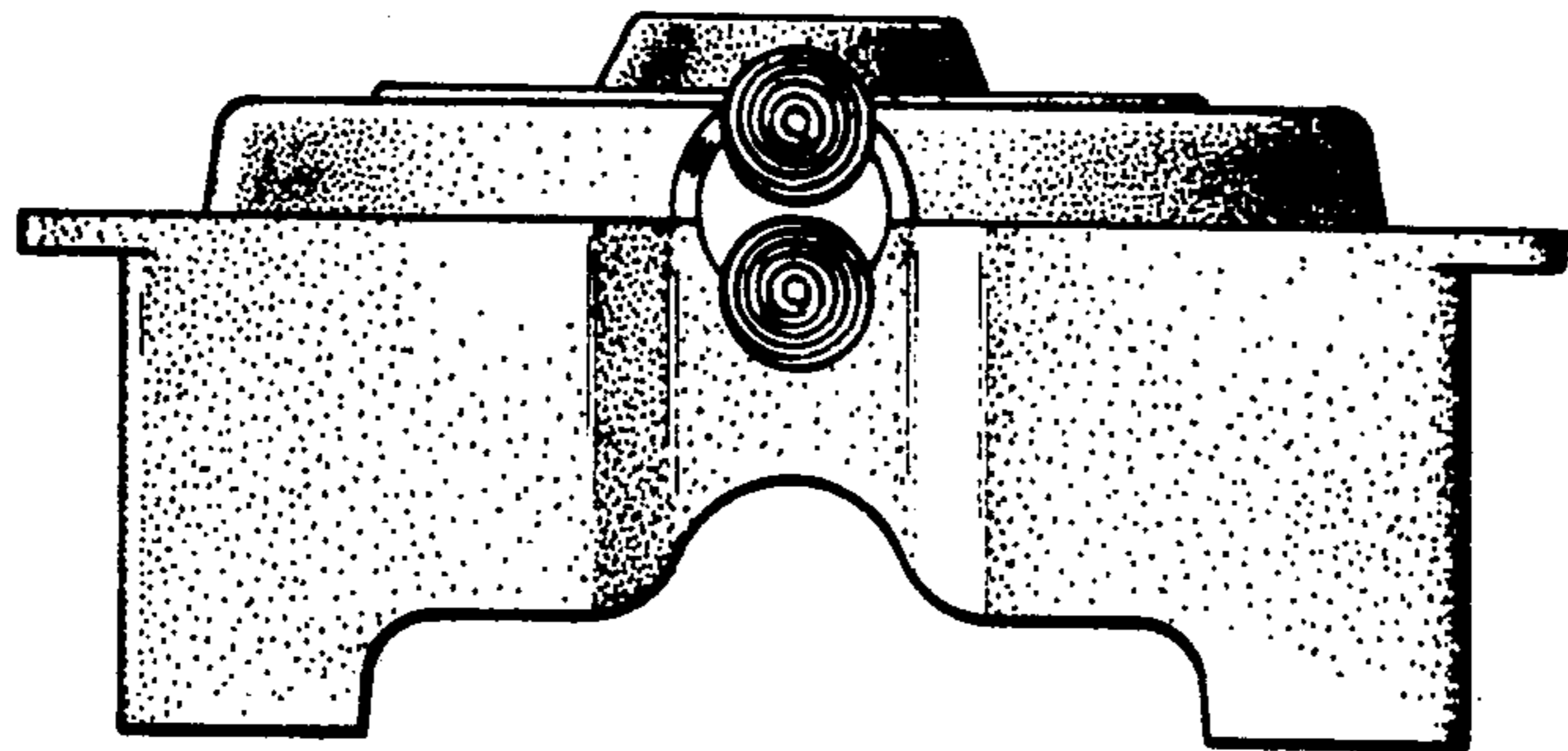


Fig. 4

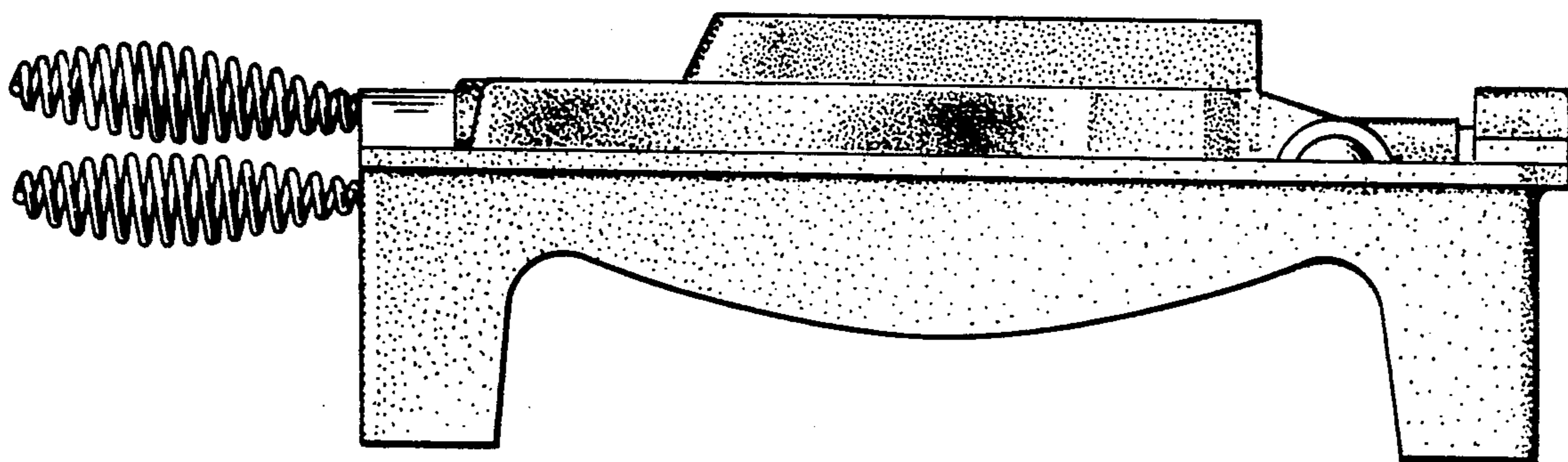


Fig. 5

