

[54] SUN LAMP

[75] Inventor: Petrus Jacobus Johanna Nagelkerke, Drachten, Netherlands

[73] Assignee: U.S. Philips Corporation, New York, N.Y.

[**] Term: 14 Years

[21] Appl. No.: 645,917

[22] Filed: Dec. 31, 1975

[30] Foreign Application Priority Data
Feb. 7, 1975 Netherlands 5040001

[51] Int. Cl. D26-99

[52] U.S. Cl. D48/20 H

[58] Field of Search D48/20 E, 20 H;
240/2 LC, 41.35, 11 R

[56] References Cited

U.S. PATENT DOCUMENTS

D. 162,637	11/1949	Ernst	D48/20 E X
D. 226,026	4/1973	Sundstrom	D48/20 E
2,615,122	10/1952	Coombs	D48/20 E X
2,983,813	5/1961	Pfaff, Jr.	D48/20 E X

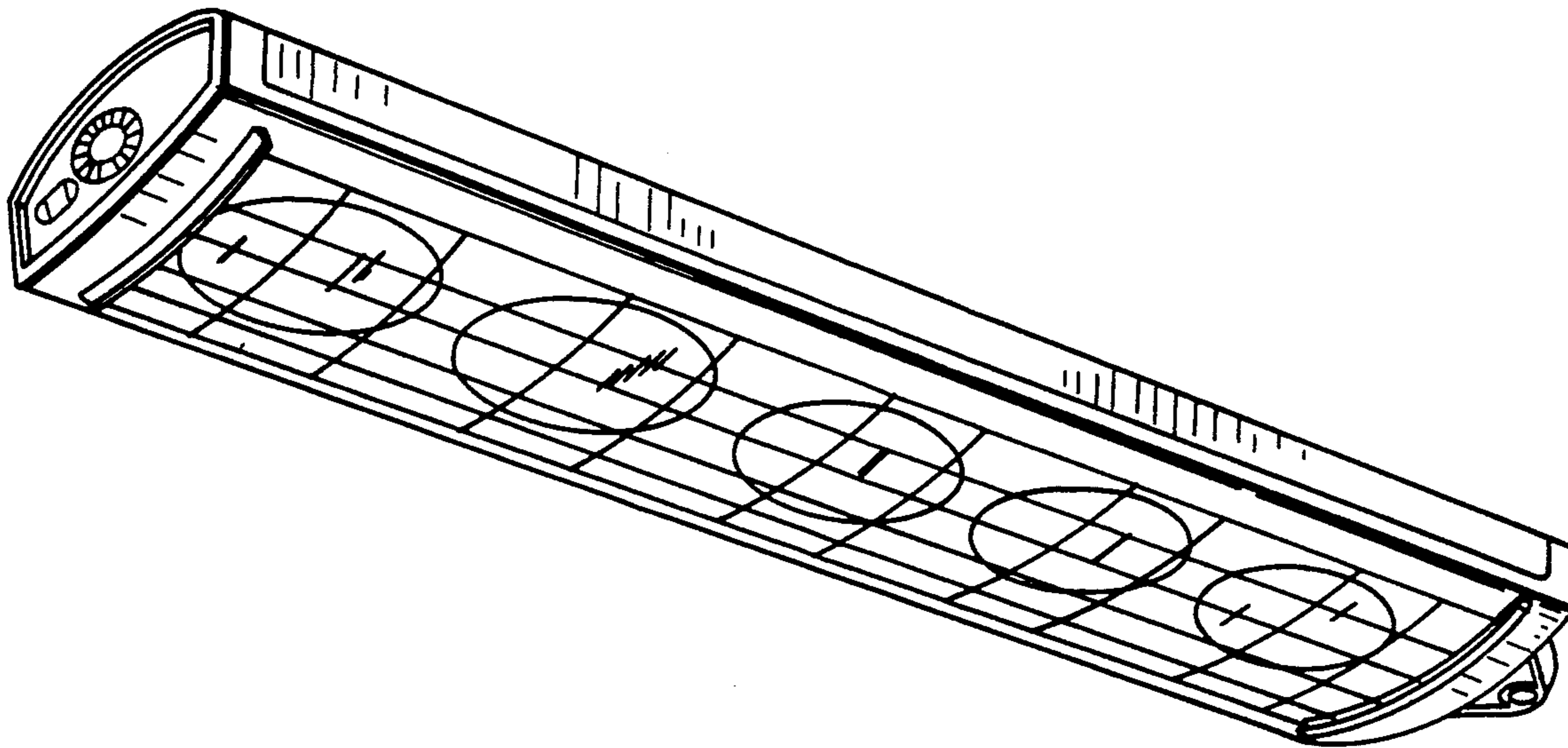
Primary Examiner—Susan J. Lucas
Attorney, Agent, or Firm—Frank R. Trifari

[57] CLAIM

The ornamental design for a sun lamp, as shown.

DESCRIPTION

FIG. 1 is a perspective view of a sun lamp showing my new design;
FIG. 2 is a bottom plan view thereof;
FIG. 3 is a top plan view thereof;
FIG. 4 is a right side elevational view thereof;
FIG. 5 is a left side elevational view thereof;
FIG. 6 is a front elevational view thereof; and
FIG. 7 is a rear elevational view thereof.



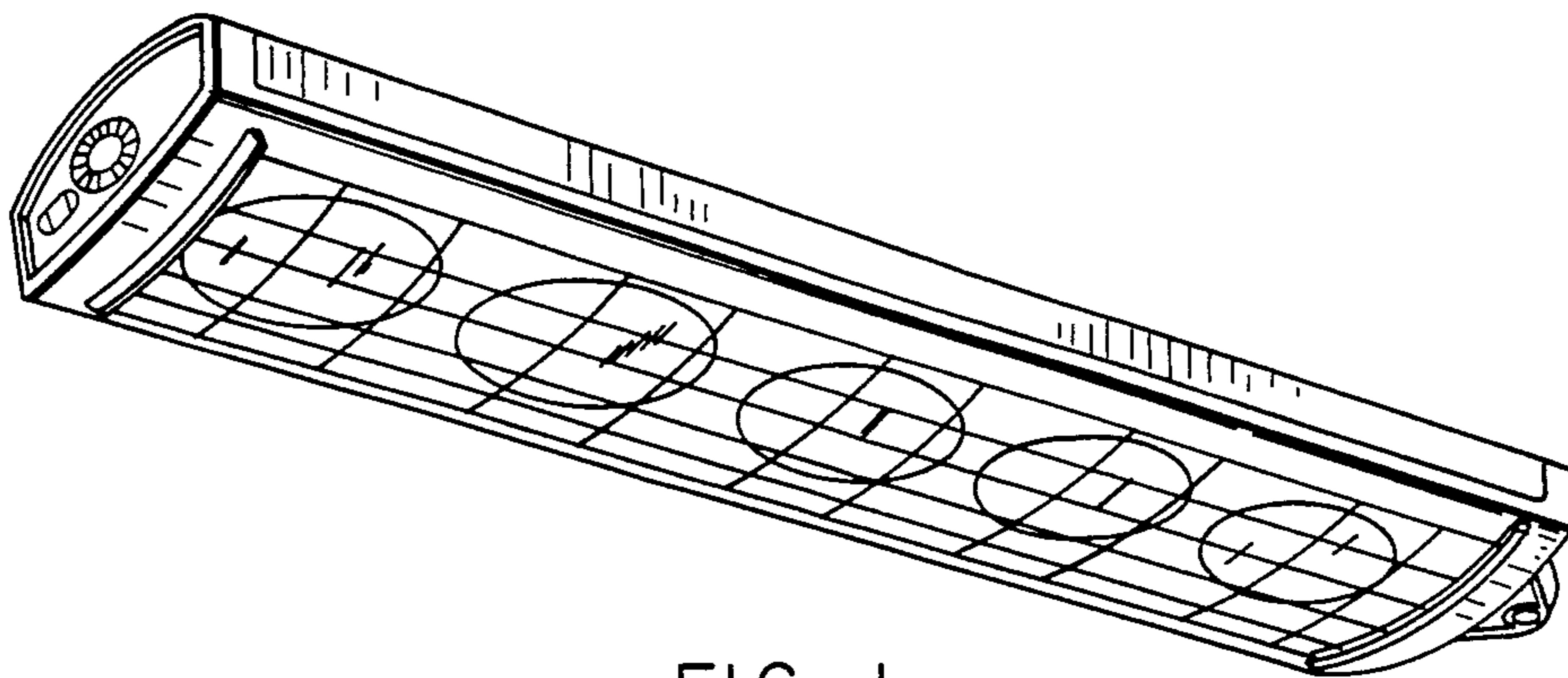


FIG. 1

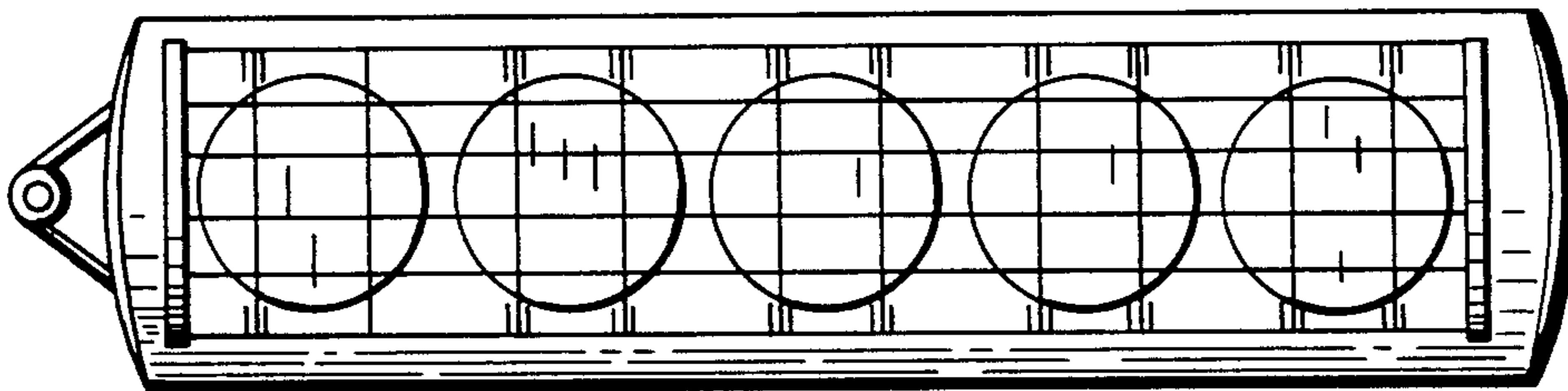


FIG. 2

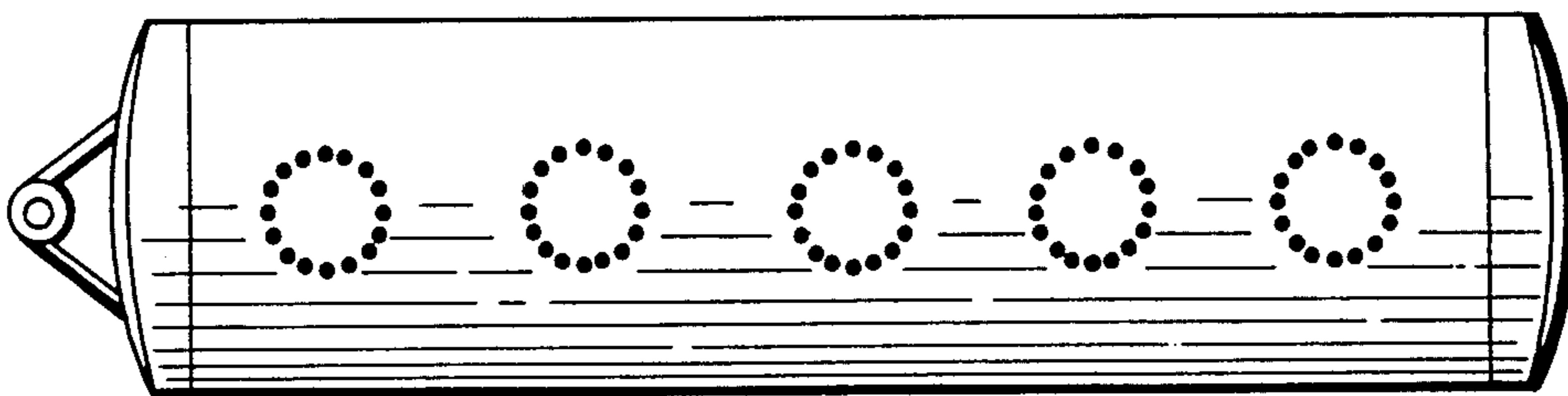


FIG. 3

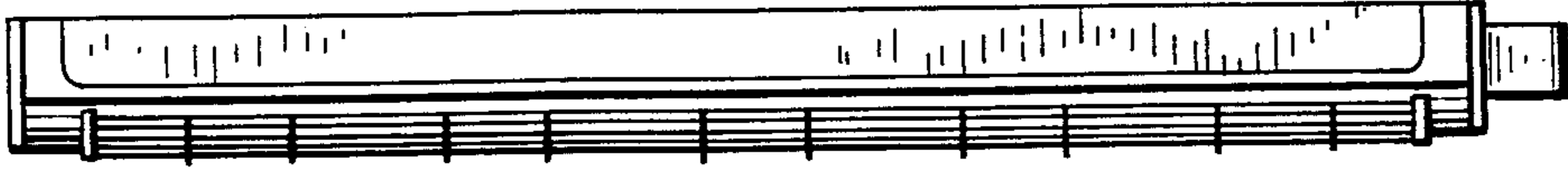


FIG. 4

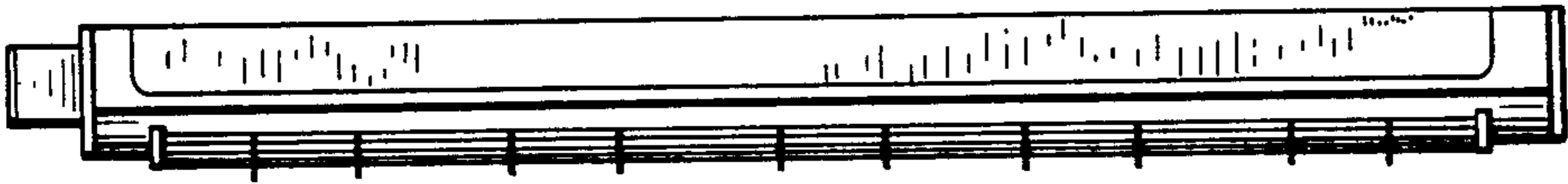


FIG. 5



FIG. 6



FIG. 7