

[54] **TIRE**

[75] Inventor: **Marcel Duchamp, Chamalieres, France**

[73] Assignee: **Compagnie Generale des Etablissements Michelin, Clermont-Ferrand, France**

[**] Term: **14 Years**

[21] Appl. No.: **735,112**

[22] Filed: **Oct. 22, 1976**

[51] Int. Cl. **D12-15**

[52] U.S. Cl. **D12/137**

[58] Field of Search **D12/134, 136, 137, 141-143, D12/145-151; 152/209 R, 209 A, 209 WT, 209 D**

[56] **References Cited**
PUBLICATIONS

Modern Tire Dealer, 9/75, p. 41, Tire No. 3, center right side of page.

Modern Tire Dealer, 4/74, p. 8, RFD Traction Tire, bottom center of page.

Primary Examiner—Wallace R. Burke

Assistant Examiner—James M. Gandy

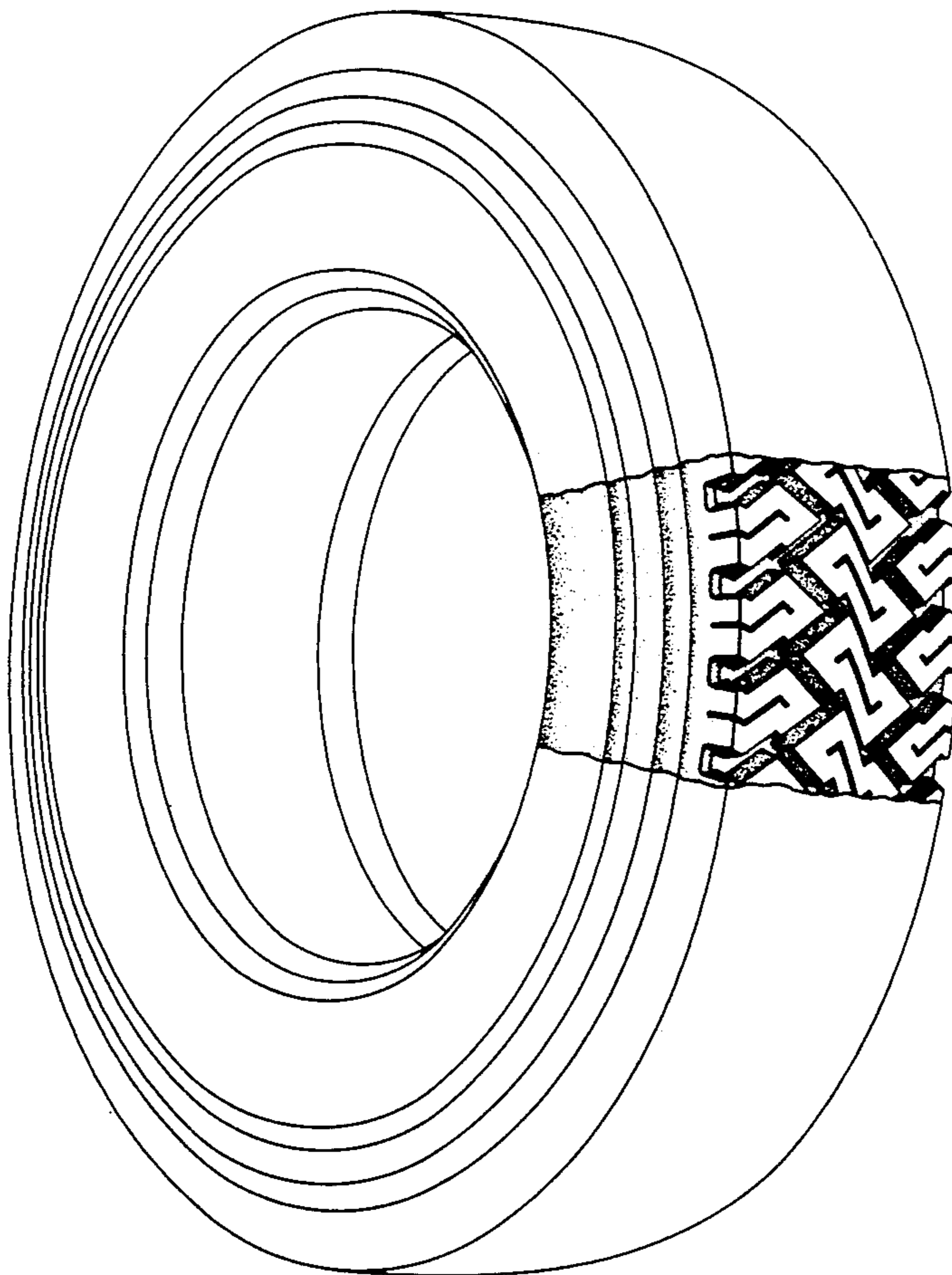
Attorney, Agent, or Firm—Granville M. Brumbaugh

[57] **CLAIM**

The ornamental design for a tire, substantially as shown and described.

DESCRIPTION

The FIGURE is a perspective view of a tire showing my new design, it being understood that the tread pattern is repeated throughout the circumference of the tire as shown schematically by solid lines, the opposite side being substantially the same as that shown.



U.S. Patent

April 18, 1978

Des. 247,744

