

[54] SEXTANT

[75] Inventors: Gerd Finnern, Hamburg; Mario Fleig, Norderstedt; Friedrich Grothkopp, Hamburg; Peter Hein, Hamburg; Armin Rahn, Hamburg; Lorenz Schneider, Kaltenkirchen, all of Germany

[73] Assignee: C. Plath, Hamburg, Germany

[\*\*] Term: 14 Years

[21] Appl. No.: 674,103

[22] Filed: Apr. 6, 1976

[30] Foreign Application Priority Data  
Oct. 10, 1975 Germany ..... AR 1808

[51] Int. Cl. .... D10-04

[52] U.S. Cl. .... D10/65

[58] Field of Search ..... D10/65, 66, 70, 74;  
33/282, 283

[56] References Cited  
U.S. PATENT DOCUMENTS  
D. 85,912 1/1932 Carbonara ..... D10/65

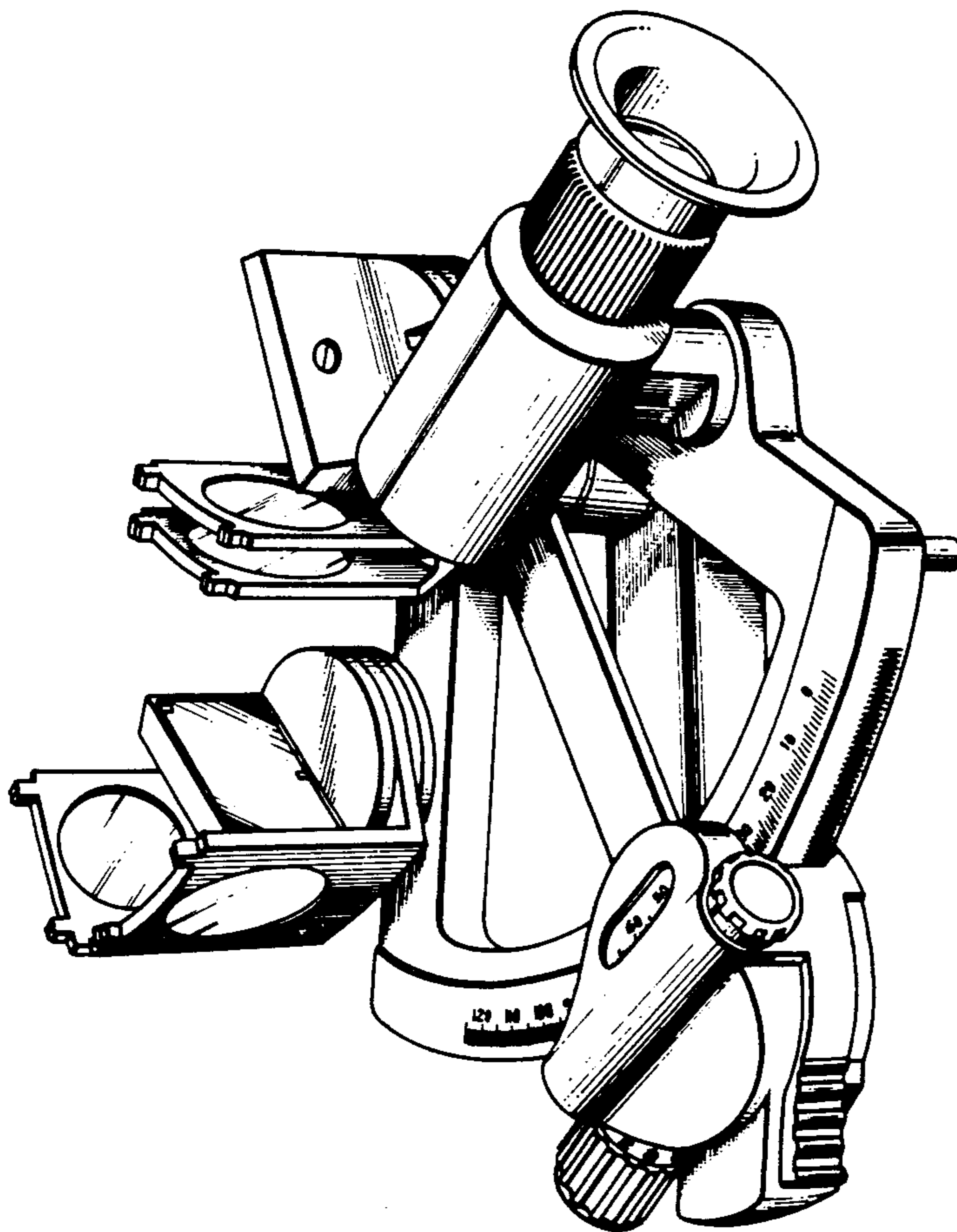
Primary Examiner—Nelson C. Holtje  
Attorney, Agent, or Firm—John M. Prutzman

[57] CLAIM

The ornamental design for a sextant, substantially as shown and described.

DESCRIPTION

FIG. 1 is a lower left rear perspective view of a sextant showing our new design;  
FIG. 2 is a lower right rear perspective view thereof;  
FIG. 3 is a lower left front perspective view thereof;  
and  
FIG. 4 is a partial lower left front perspective view thereof.



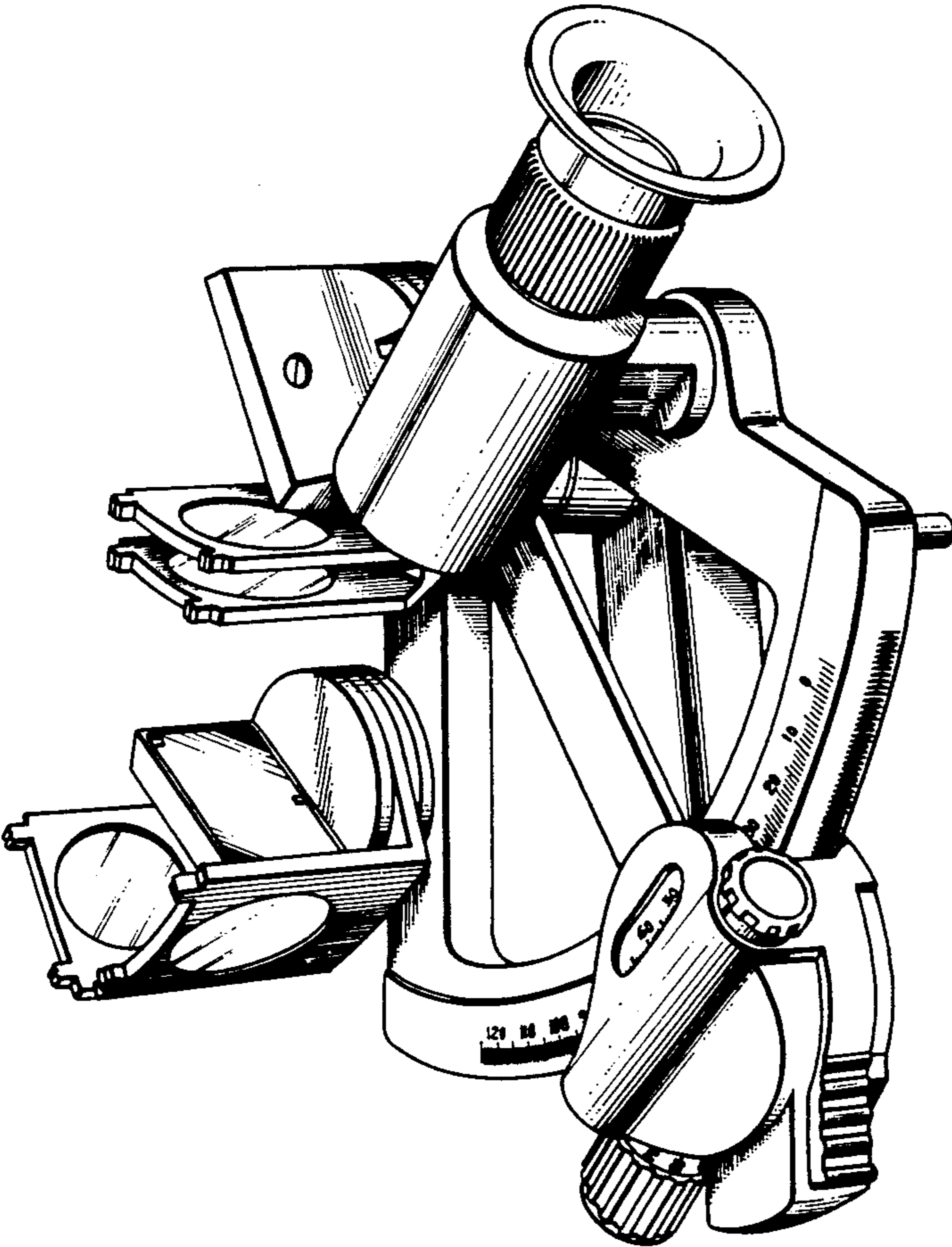


FIG. 1

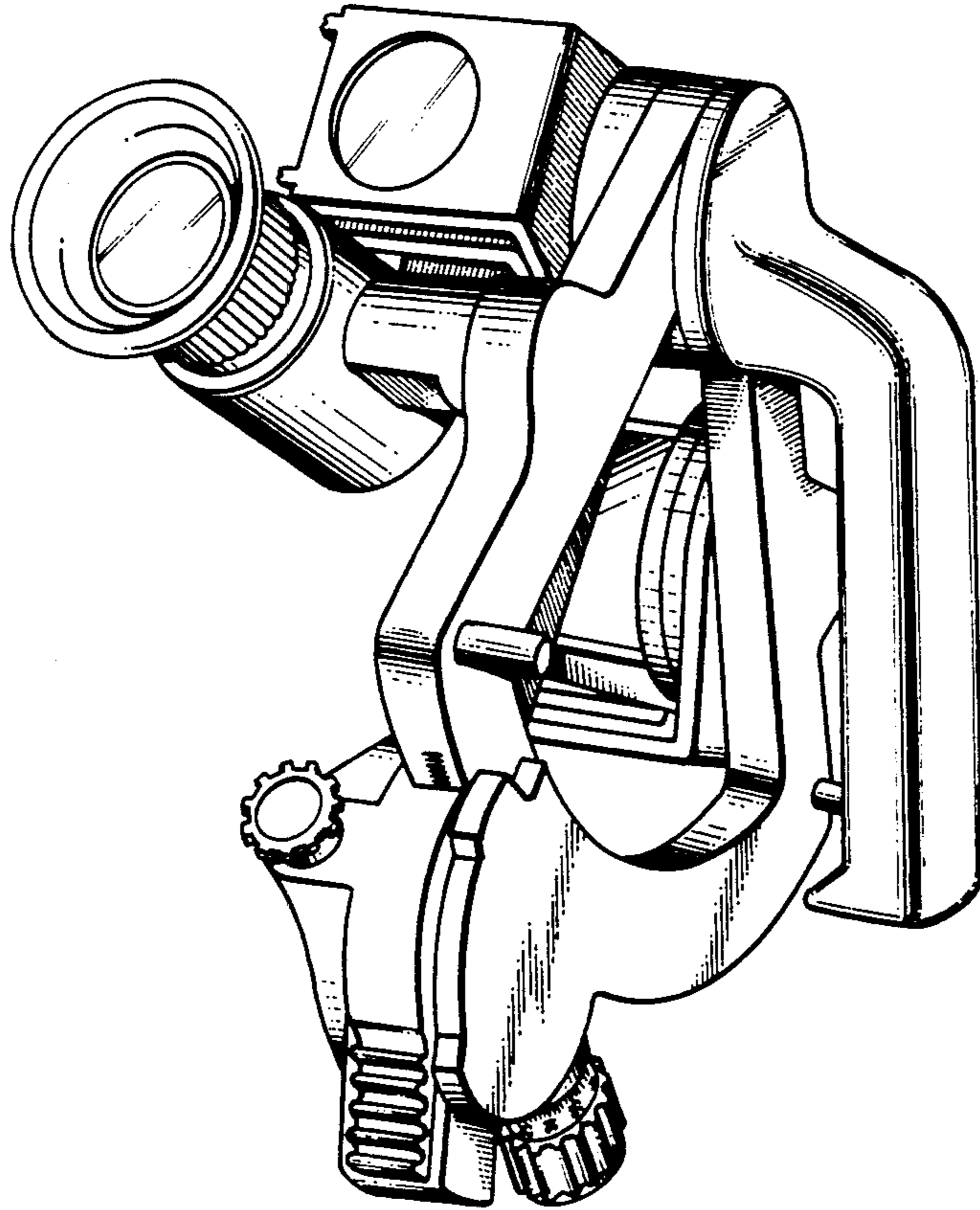


FIG. 2

FIG. 3

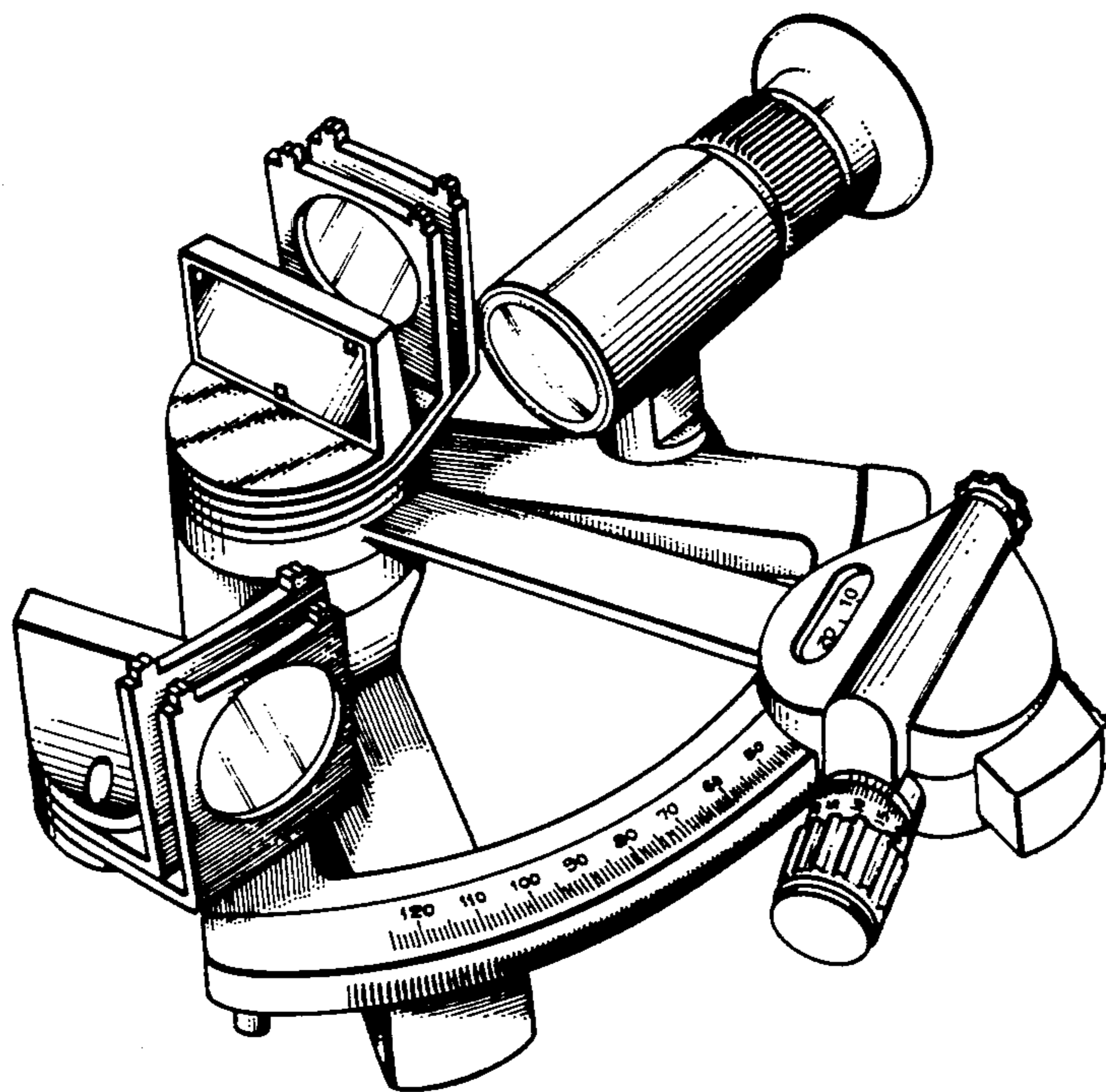




FIG. 4

