

[54] **STUD MOUNTED BRACKET**

[76] Inventor: **Charles H. Rynearson, P.O. Box 69,  
Woodburn, Oreg. 97071**

[\*\*] Term: **14 Years**

[21] Appl. No.: **768,356**

[22] Filed: **Feb. 14, 1977**

[51] Int. Cl. .... **D8-08**

[52] U.S. Cl. .... **D8/354**

[58] Field of Search ..... **D8/354, 355, 356, 360,  
D8/361, 362, 364, 380, 363; 403/232.1**

[56]

**References Cited**

**U.S. PATENT DOCUMENTS**

D. 43,581	2/1913	Rhoades .....	D8/360
D. 45,360	3/1914	Vail .....	D8/380 X
D. 219,573	12/1970	Weiss .....	D8/364
D. 229,480	12/1973	Brushaber .....	D8/355
414,169	10/1889	Reuschel .....	403/232.1

*Primary Examiner*—A. Hugo Word

*Attorney, Agent, or Firm*—J. Pierre Kolisch

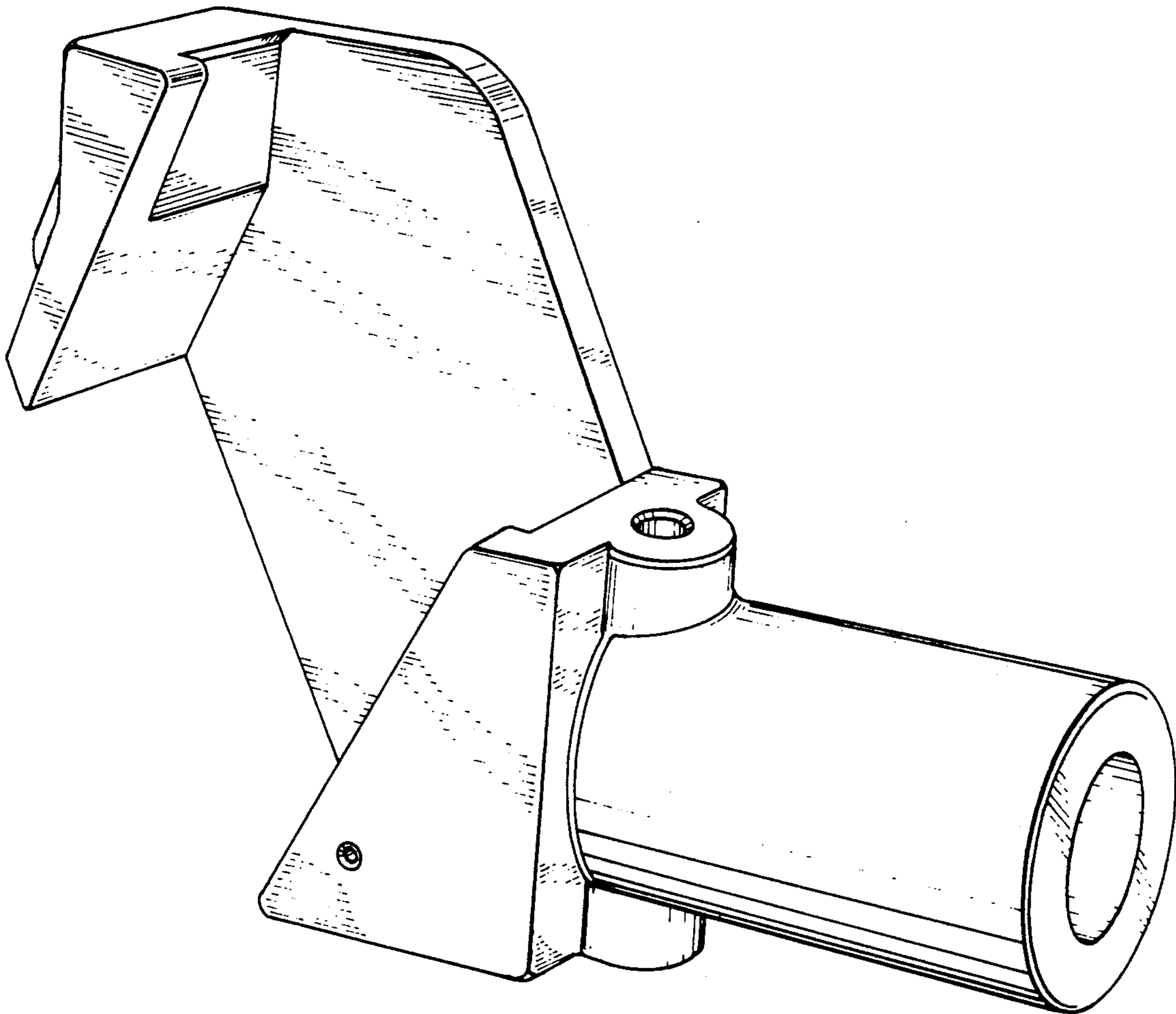
[57]

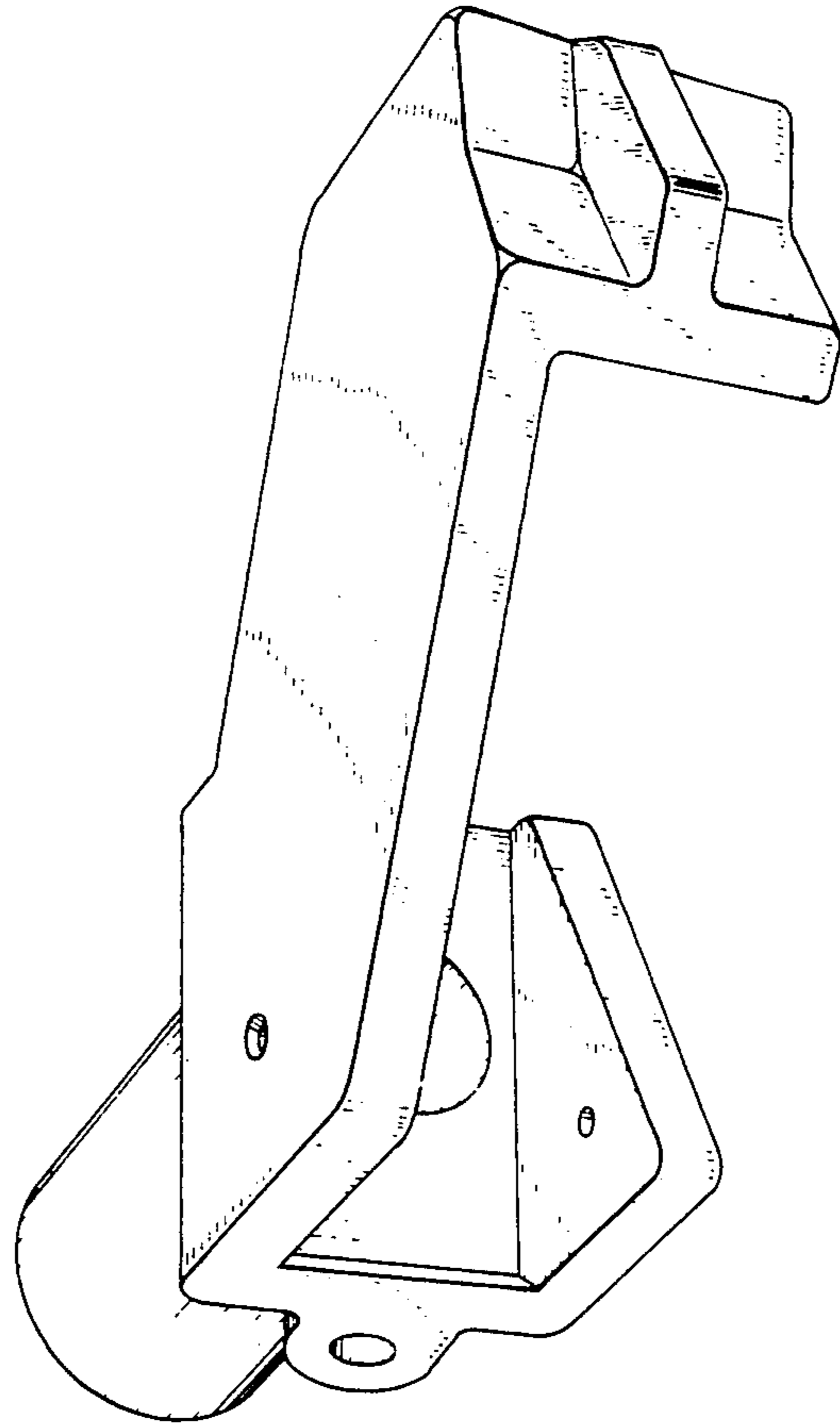
**CLAIM**

The ornamental design for a stud mounted bracket, as shown.

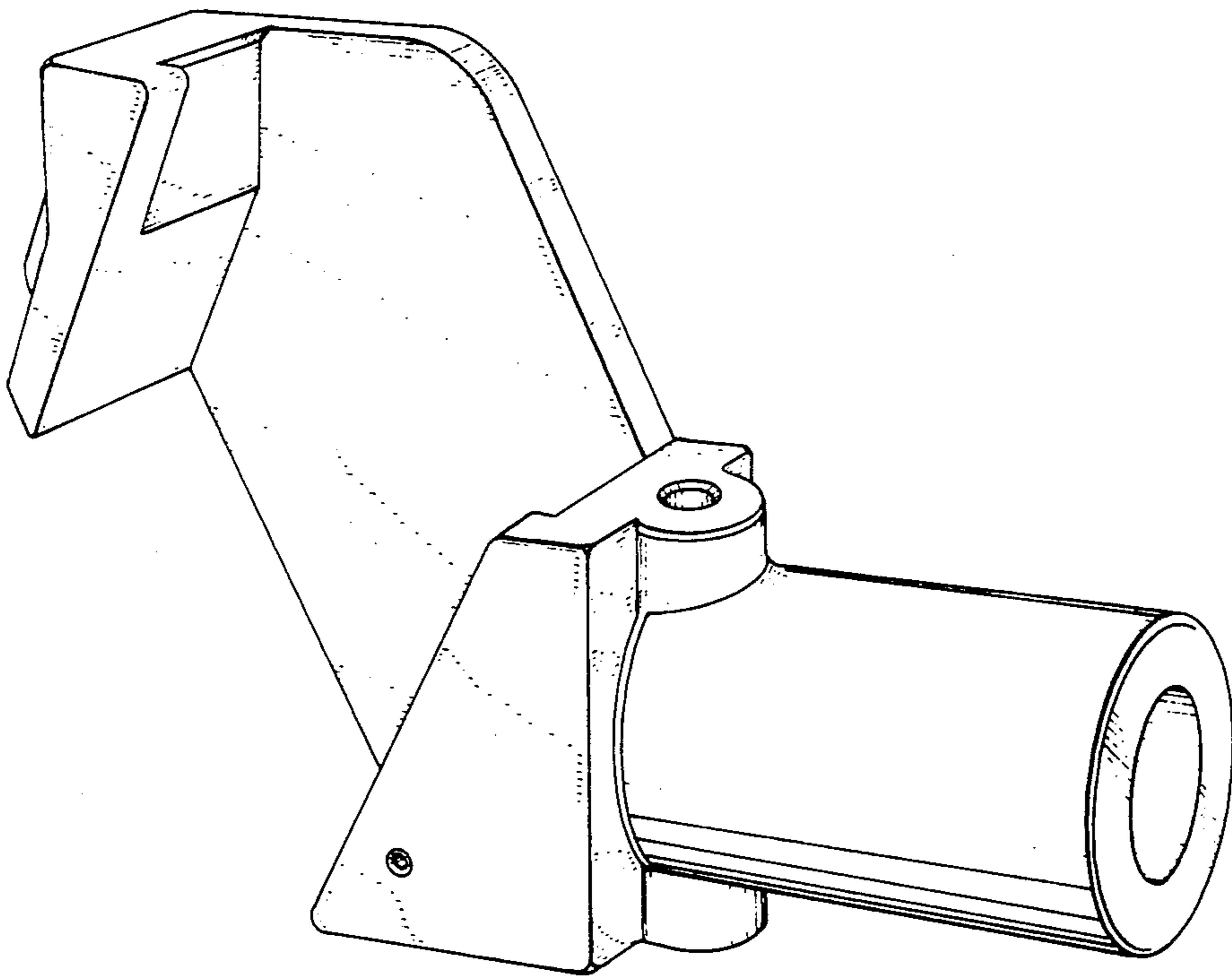
**DESCRIPTION**

FIG. 1 is a perspective view of the bracket showing the top, right side, and front end; and FIG. 2 is a perspective view showing the bottom, rear and left side of the bracket.





*Fig. 2.*



*Fig. 1.*