

[54] TABLE

[76] Inventor: A. Fuller Robinson, 408 St. Gabriel St., Montreal, Quebec, Canada

[\*\*] Term: 14 Years

[21] Appl. No.: 706,874

[22] Filed: Jul. 19, 1976

[30] Foreign Application Priority Data  
Apr. 9, 1976 Canada ..... 0904761

[51] Int. Cl. .... D6-03

[52] U.S. Cl. .... D6/177

[58] Field of Search ..... D6/150, 158-170,  
D6/177, 175, 178, 179

[56] References Cited

U.S. PATENT DOCUMENTS

D. 200,584	3/1965	Krone .....	D6/177
D. 220,440	4/1971	Beavers .....	D6/150
D. 220,704	5/1971	Kramer .....	D6/177

OTHER PUBLICATIONS

Interiors, 9-1973, p. 125, table lower left by Ste.-Marie & Laurent Inc.

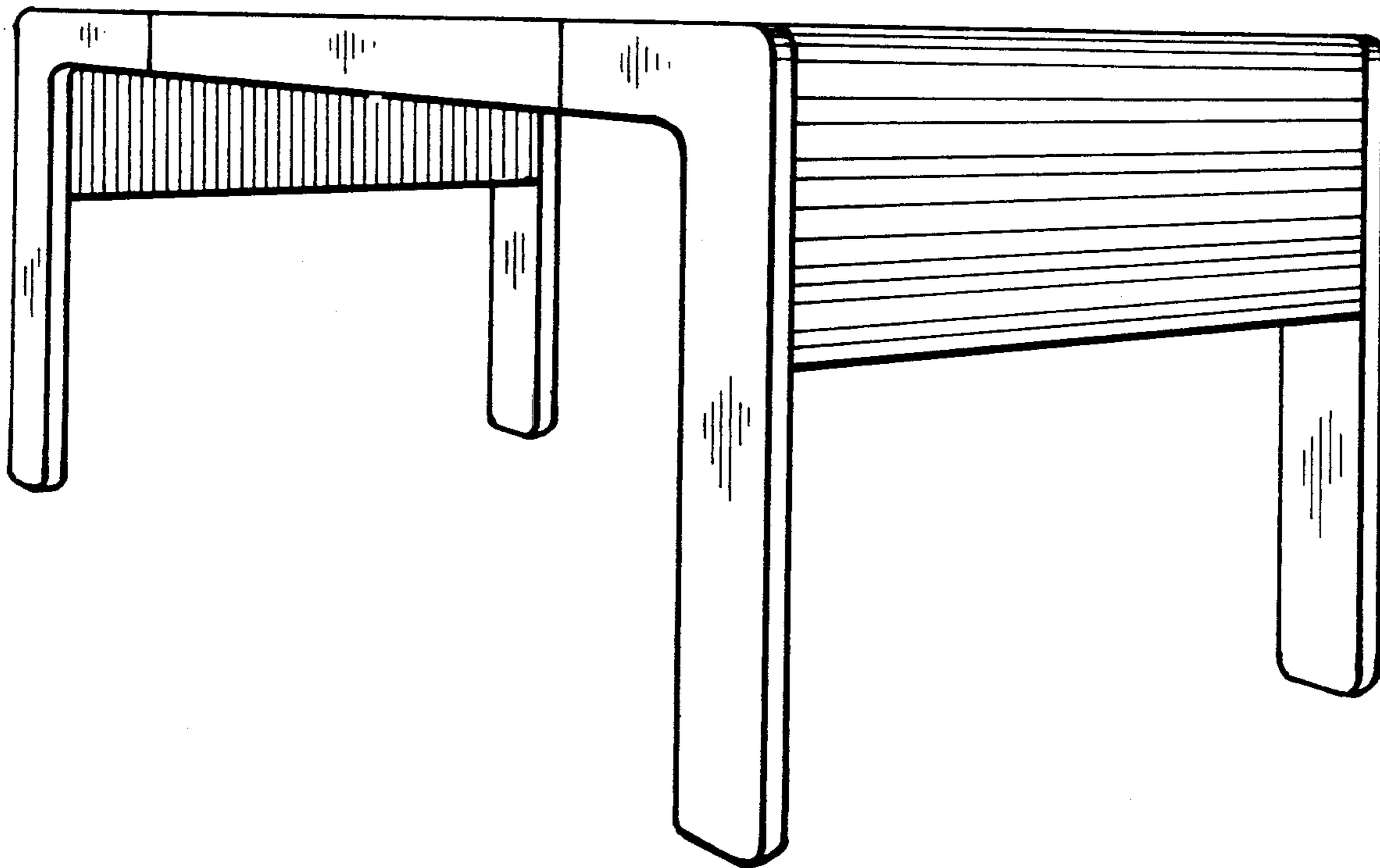
Primary Examiner—Bruce W. Dunkins  
Attorney, Agent, or Firm—A. J. S. Davidson

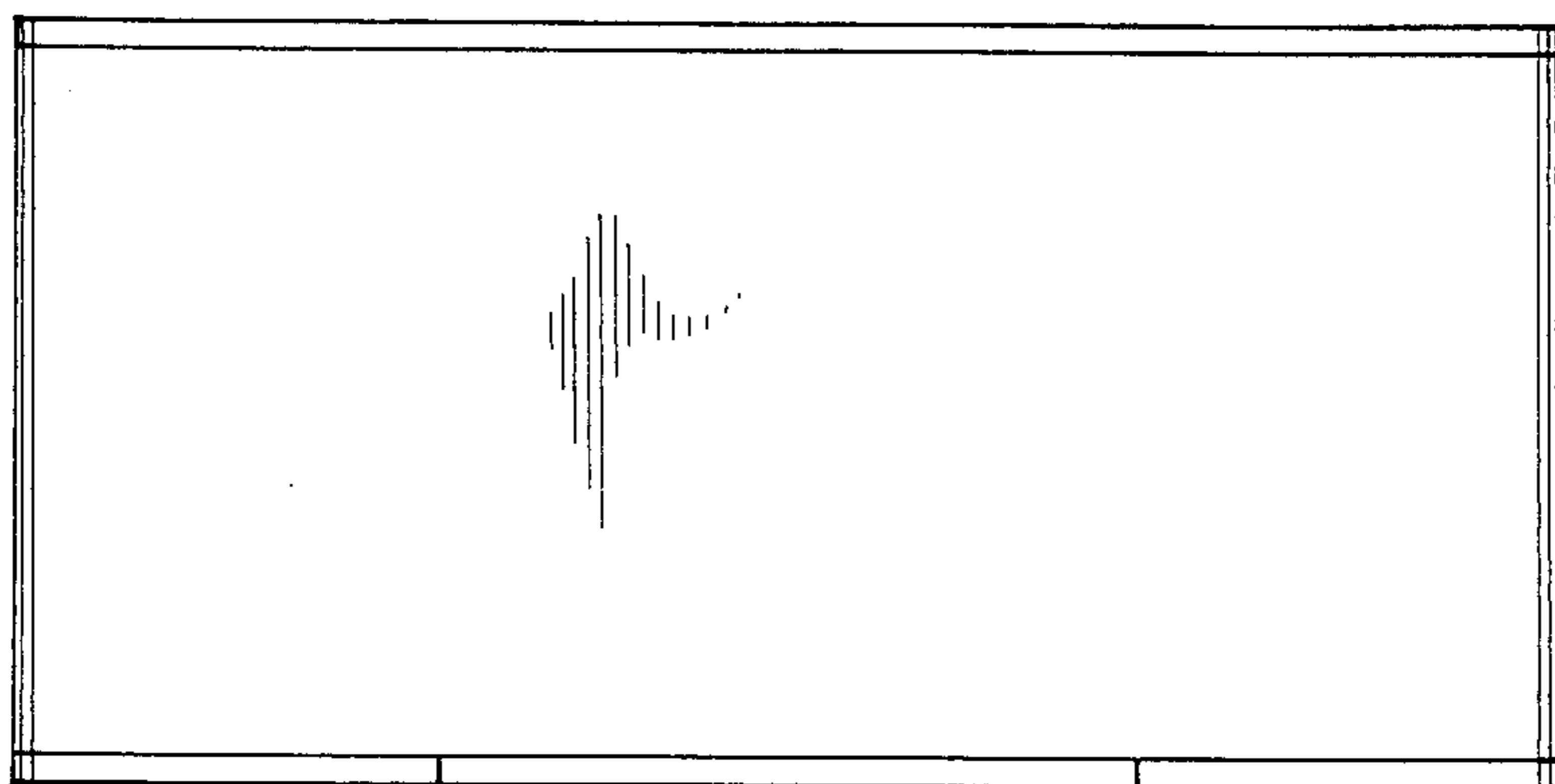
[57] CLAIM

The ornamental design for a table, as shown.

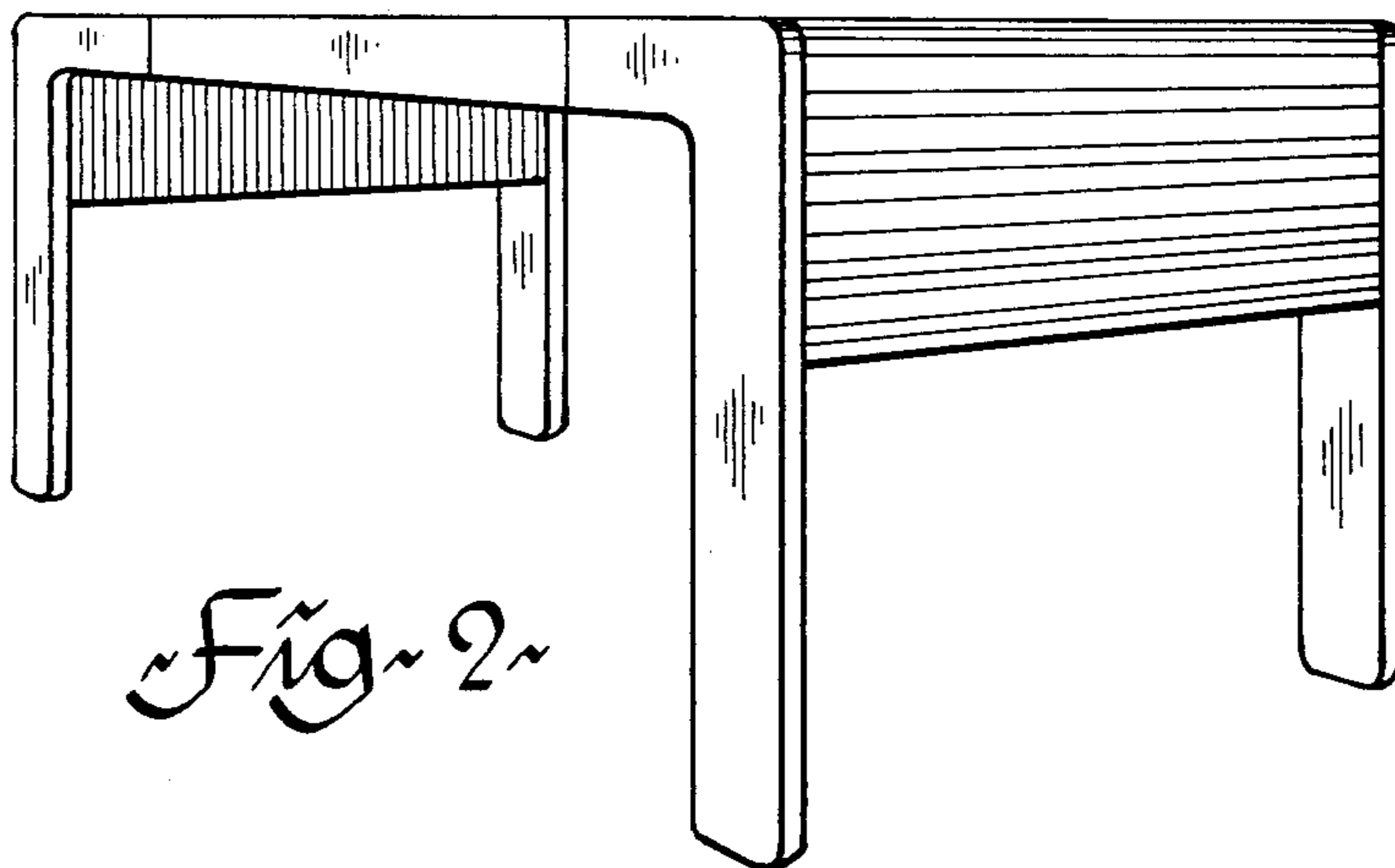
DESCRIPTION

FIG. 1 is a top plan view of a table showing my design; FIG. 2 is a perspective view of the table when facing the back corner; FIG. 3 is a perspective view of the table when facing the front corner.

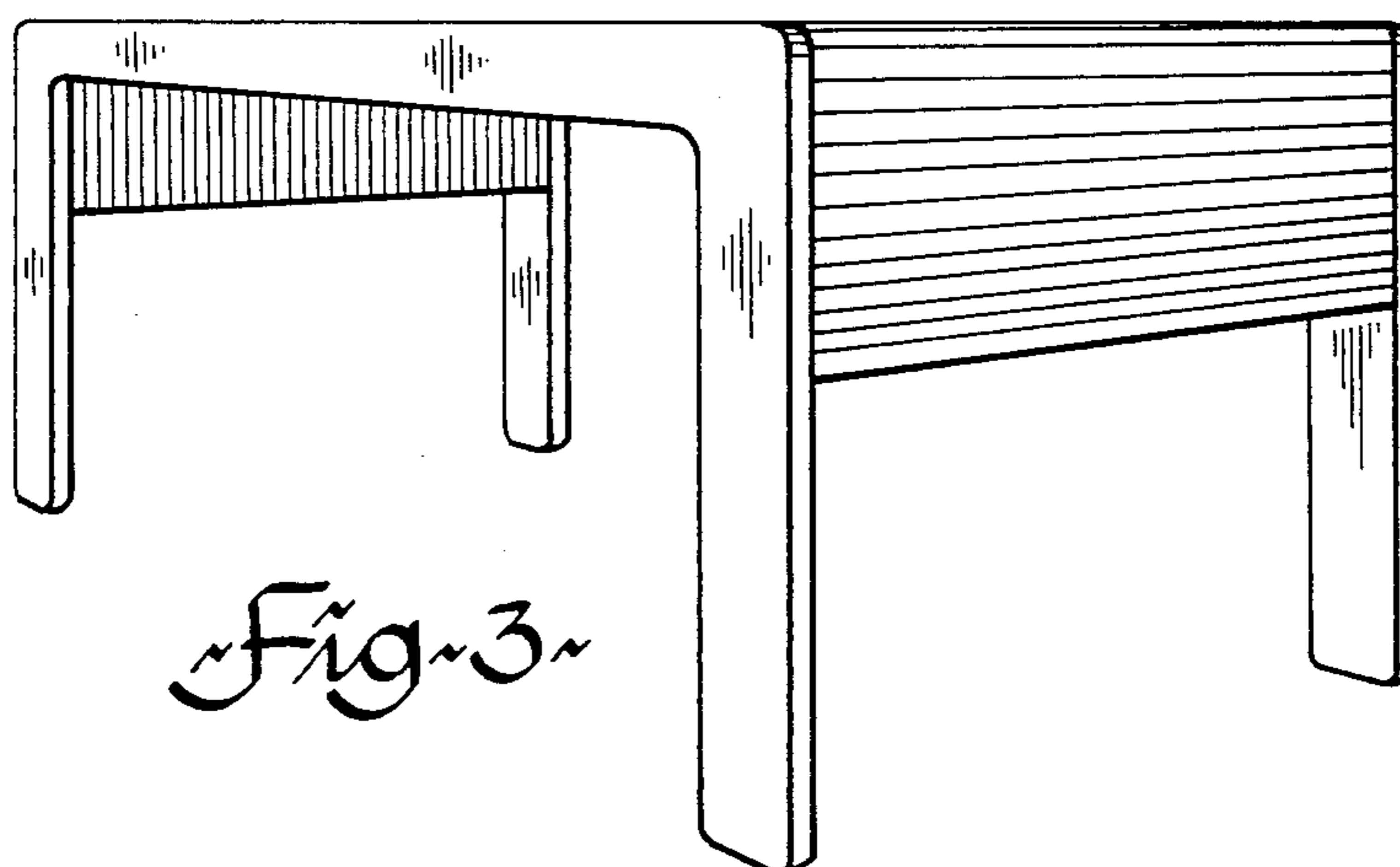




*Fig. 1*



*Fig. 2*



*Fig. 3*