

[54] **BEDSTEAD**

[76] Inventor: **Thomas R. Mitchell**, 5856 Jefferson-Paige Rd., Shreveport, La. 71110

[**] Term: **14 Years**

[21] Appl. No.: **634,364**

[22] Filed: **Nov. 24, 1975**

[51] Int. Cl. **D6-01**

[52] U.S. Cl. **D6/83**

[58] Field of Search **D6/79-83; 5/200 R, 131**

[56] **References Cited**

U.S. PATENT DOCUMENTS

- D. 108,633 3/1938 Whitehead D6/83
- D. 111,657 10/1938 Little D6/81 X

- D. 120,222 4/1940 Harman D6/74
- D. 175,077 7/1955 Jones D6/79
- D. 178,851 9/1956 Van Koert D6/83
- D. 240,547 7/1976 Stanley et al. D6/79

Primary Examiner—Bruce W. Dunkins
Attorney, Agent, or Firm—John M. Harrison

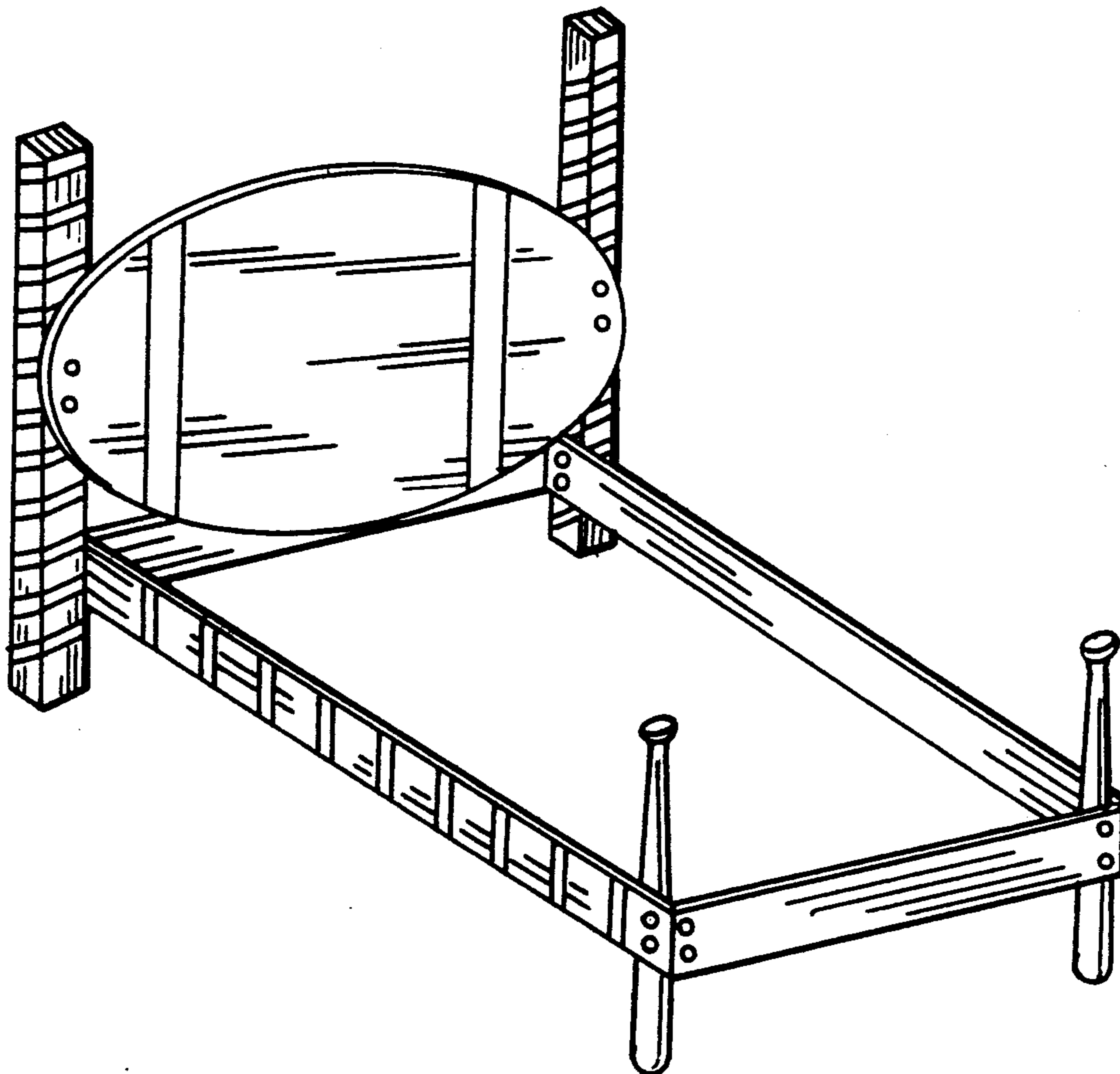
[57] **CLAIM**

The ornamental design for a bedstead, substantially as shown and described.

DESCRIPTION

FIG. 1 is a perspective view of a bedstead showing my new design; FIG. 2 is a front elevational view thereof; and FIG. 3 is a side elevational view of the bedstead illustrated in FIGS. 1 and 2.

The undisclosed rear surface of the bed is conventional in appearance.



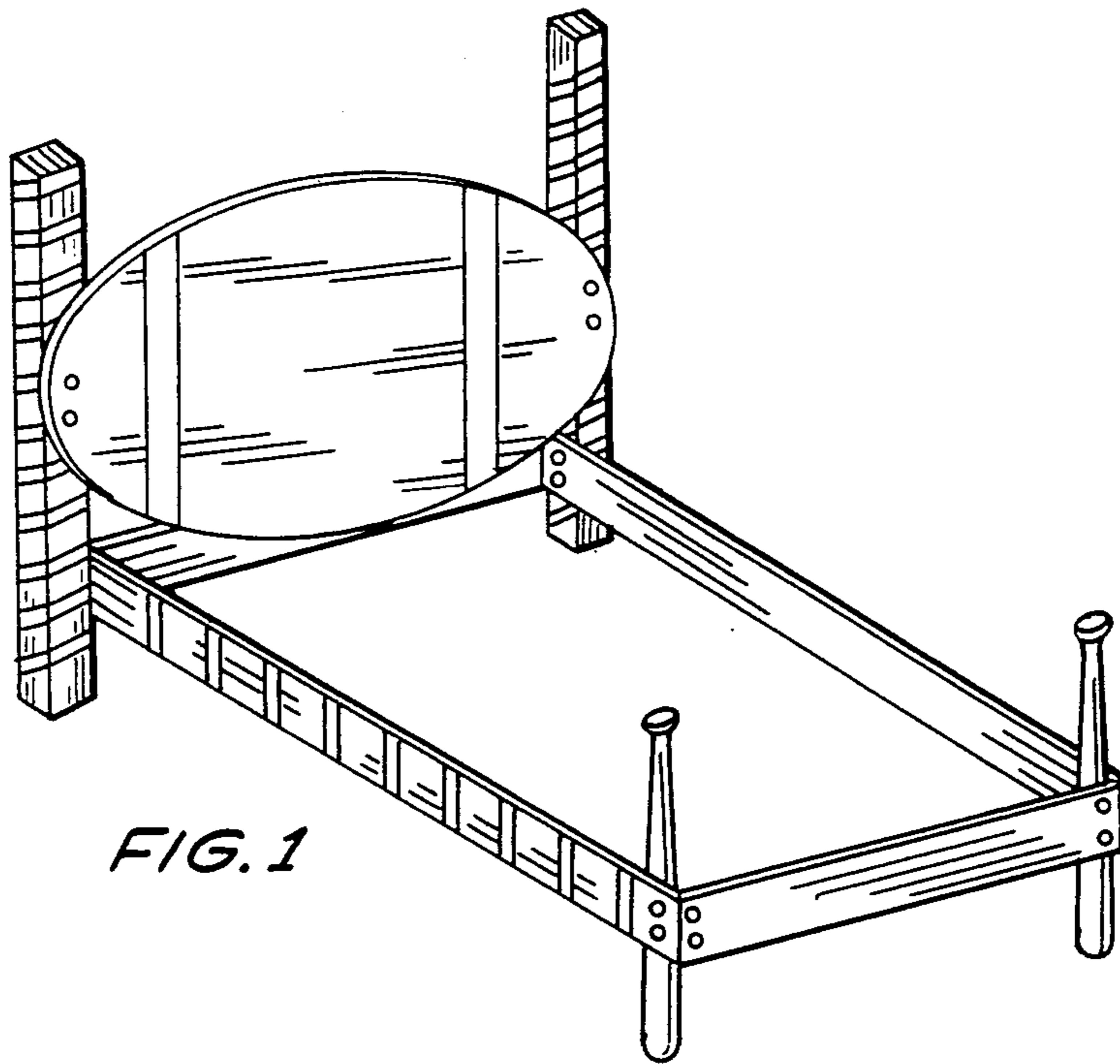


FIG. 1

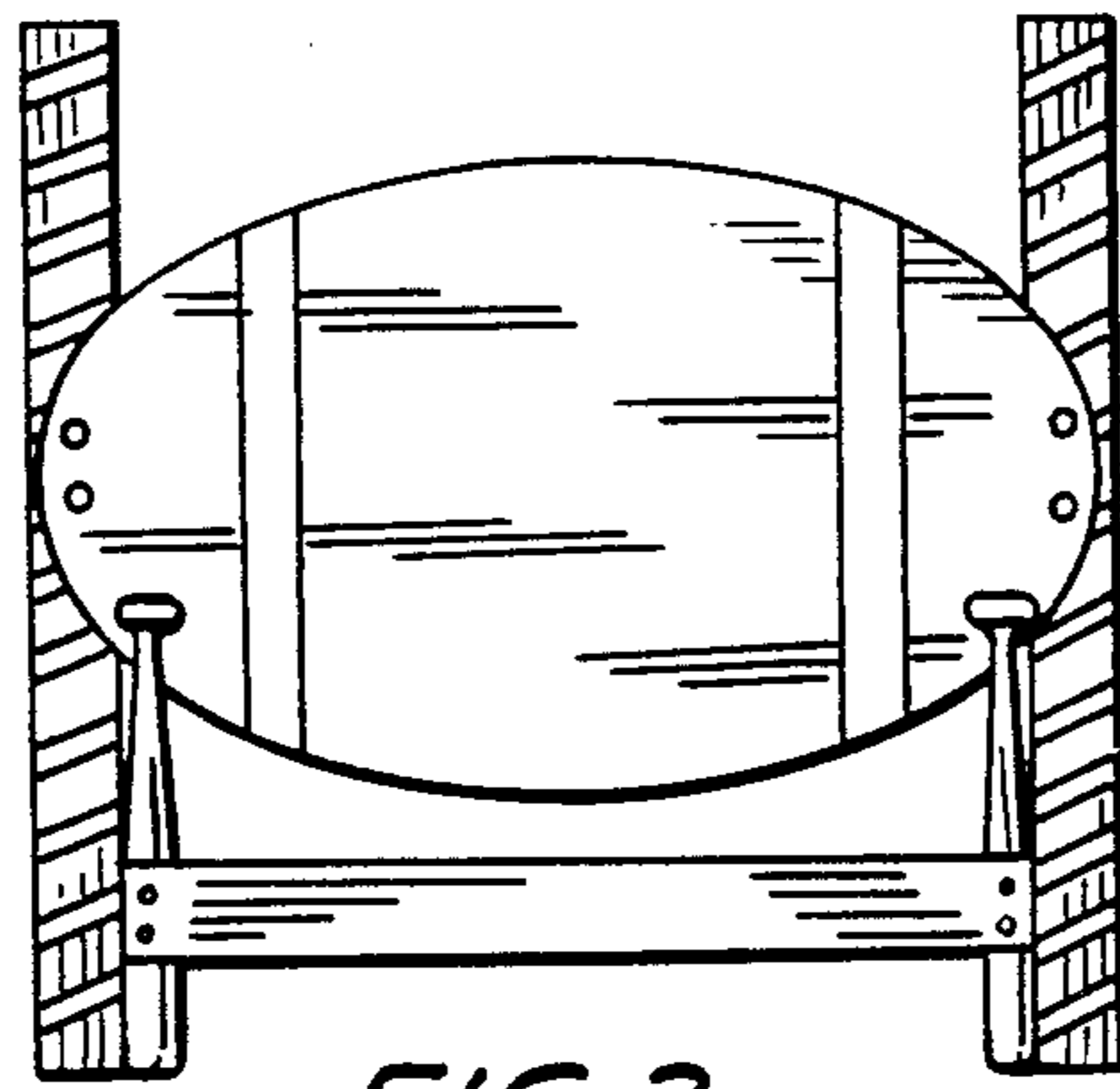


FIG. 2

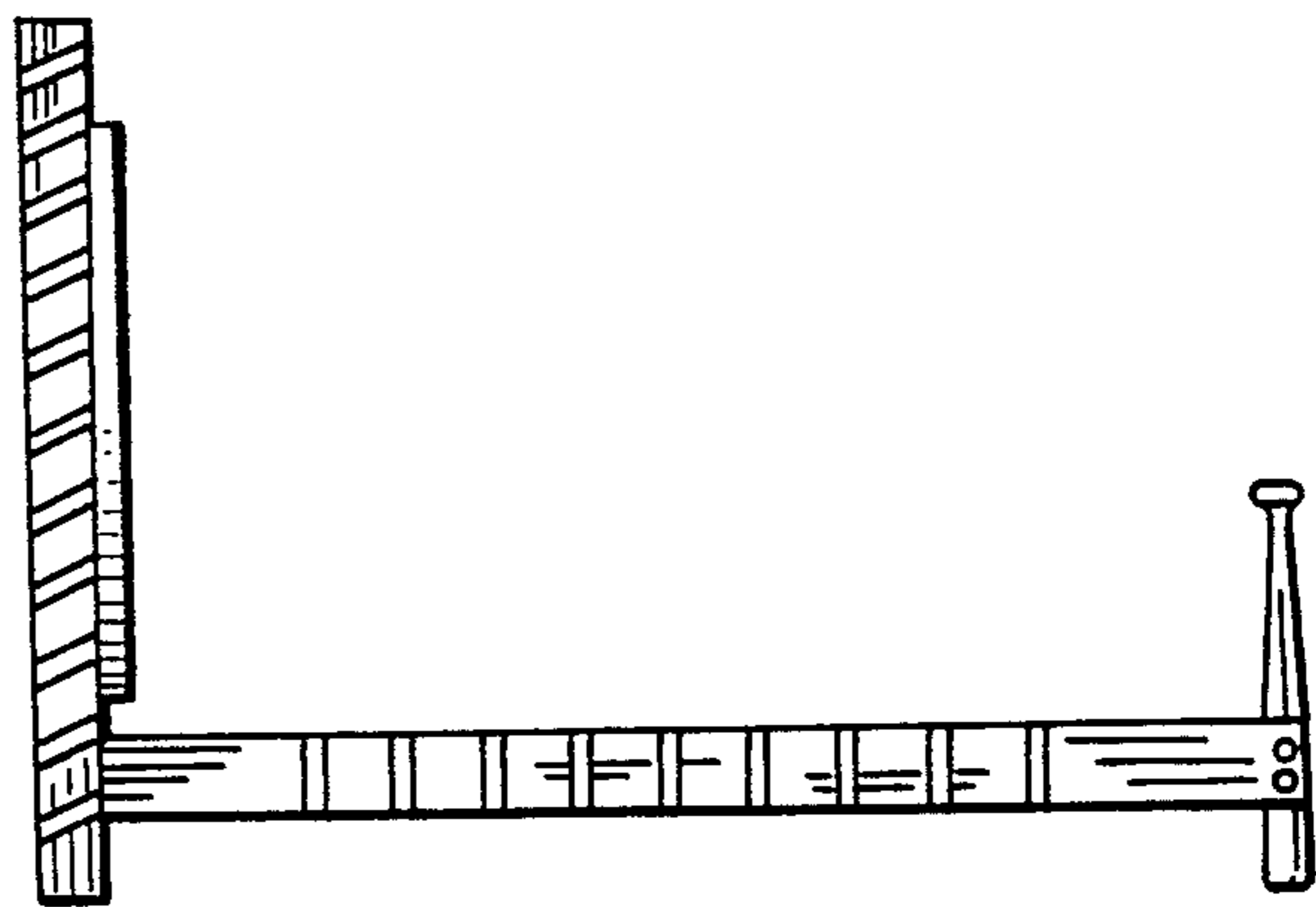


FIG. 3