

[54] OXYGEN HOOD

[75] Inventor: Frank J. Wilhelm, Pomona, Calif.

[73] Assignee: The Fluorocarbon Company, Anaheim, Calif.

[\*\*] Term: 14 Years

[21] Appl. No.: 640,505

[22] Filed: Dec. 15, 1975

[51] Int. Cl. .... D24-01; D24-99

[52] U.S. Cl. .... D24/1.1

[58] Field of Search ..... 128/191 R, 191 A, 209, 128/142.7, 1 B; D83/1 K, 1 L, 1 G; D24/1.1, 99; 269/322

[56] References Cited

U.S. PATENT DOCUMENTS

D. 182,394 4/1958 Adolphson ..... D83/1 G

3,006,339	10/1961	Smith .....	128/191 R
3,540,446	11/1970	Dixon .....	128/191 A
3,813,092	5/1974	Foster .....	128/191 A
3,976,063	8/1976	Henneman et al. ....	128/209

FOREIGN PATENT DOCUMENTS

107,372	5/1939	Australia .....	128/191 A
---------	--------	-----------------	-----------

Primary Examiner—Bernard Ansher  
Attorney, Agent, or Firm—Louis J. Knobbe

[57] CLAIM

The ornamental design for an oxygen hood, as shown.

DESCRIPTION

FIG. 1 is a perspective view illustrating the top, the rear, and right side of an oxygen hood showing my new design;

FIG. 2 is a front elevation view thereof;

FIG. 3 is a left-side elevation view thereof; and

FIG. 4 is a bottom plan view thereof.

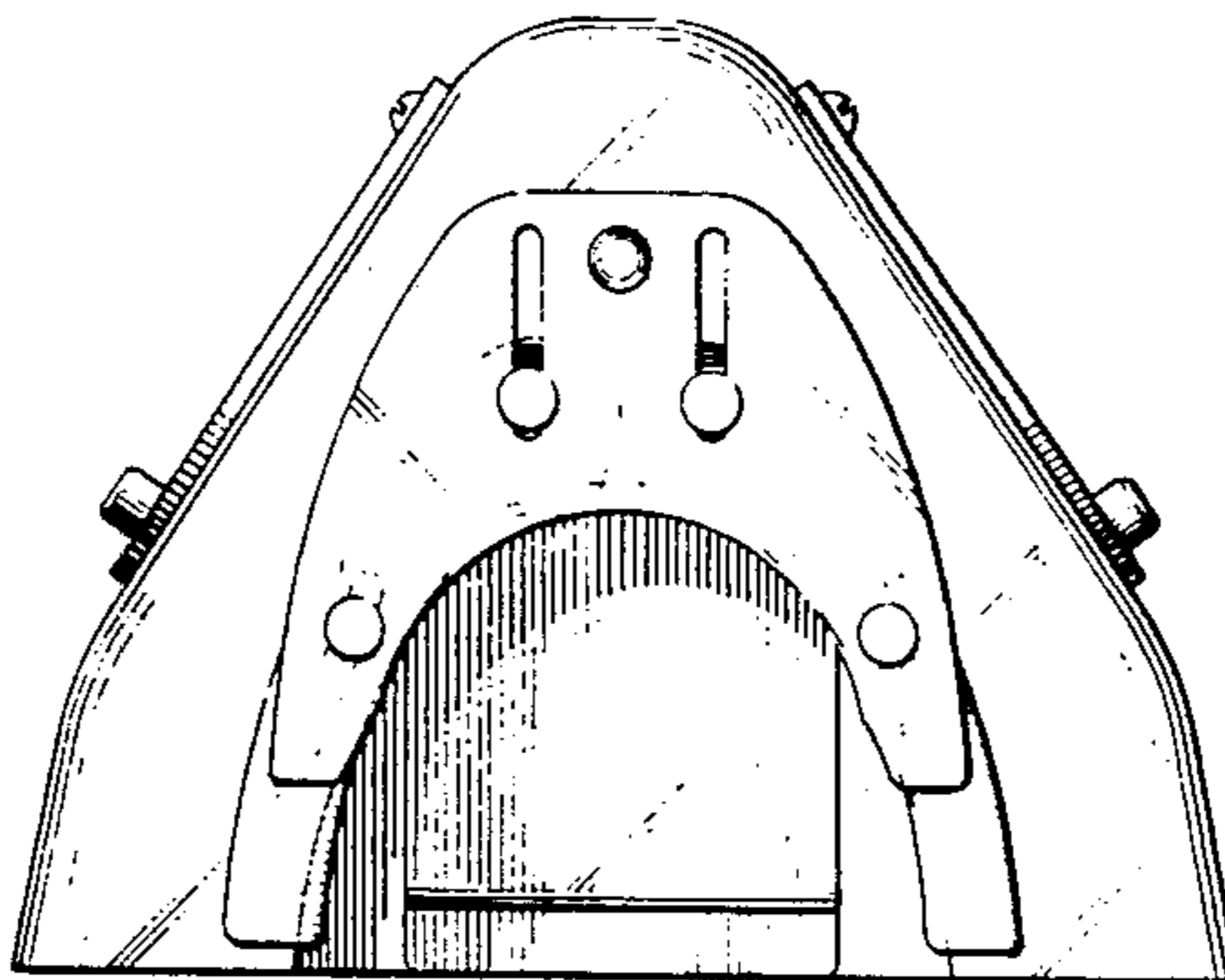
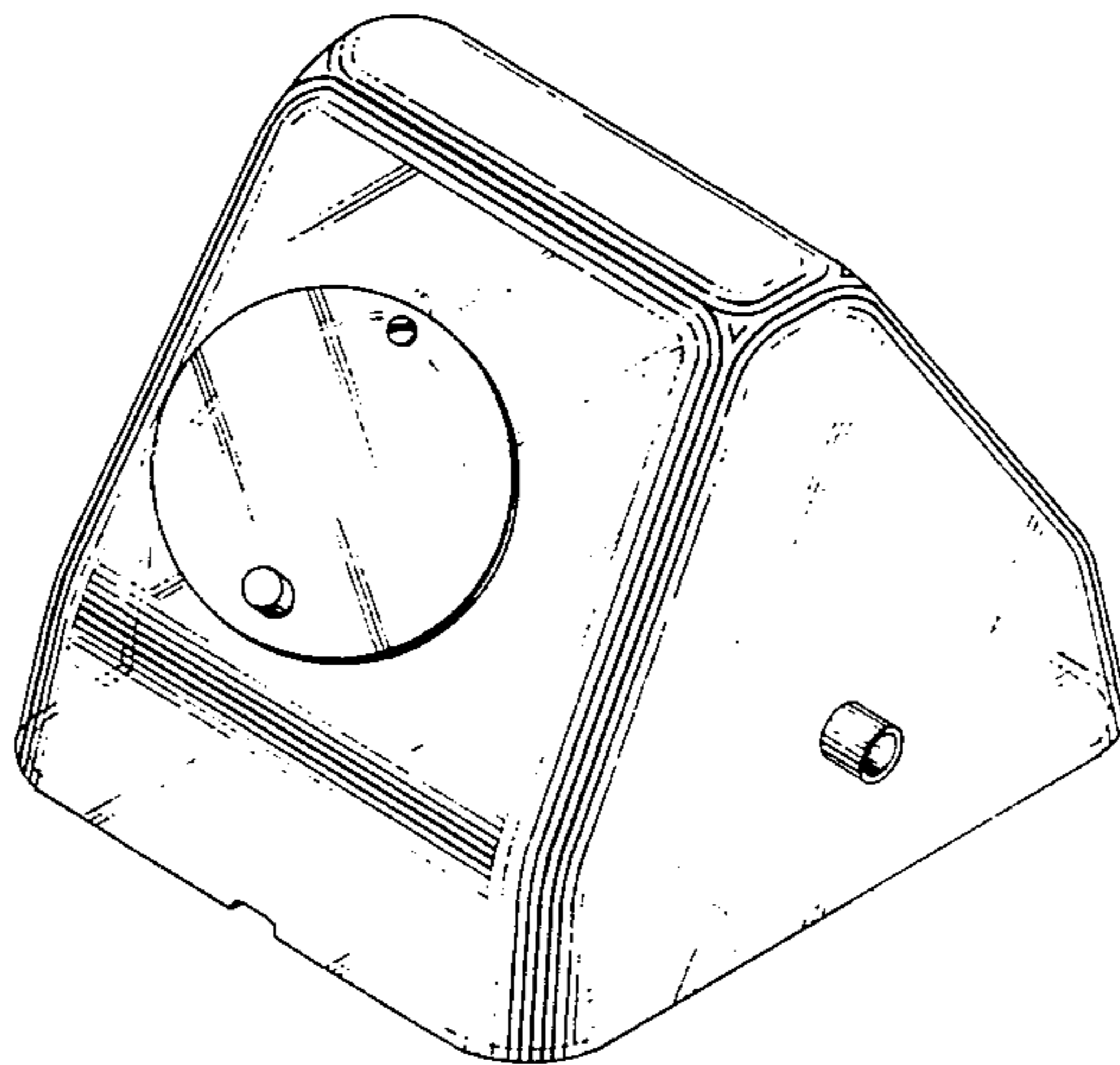


FIG. 1.

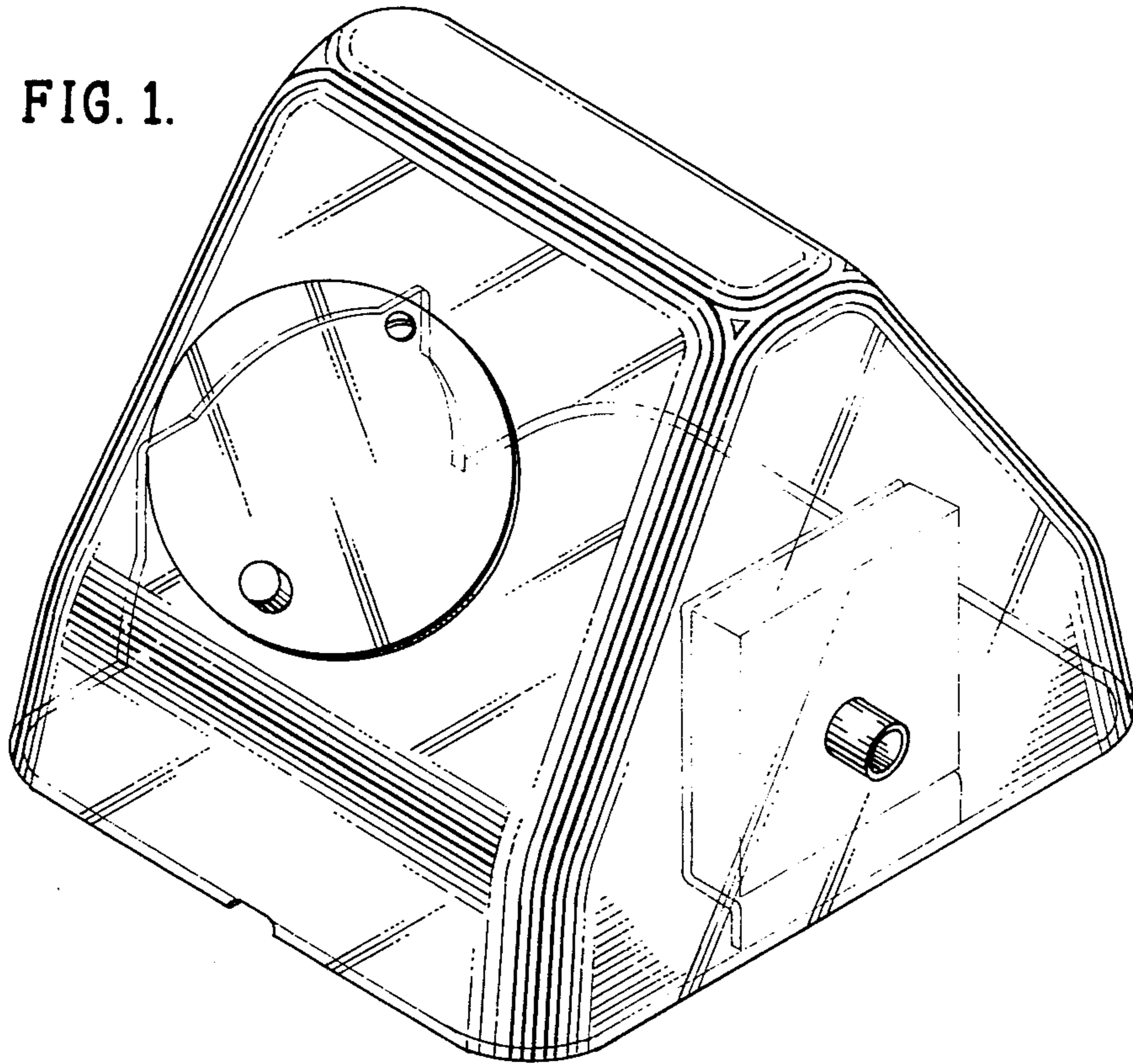
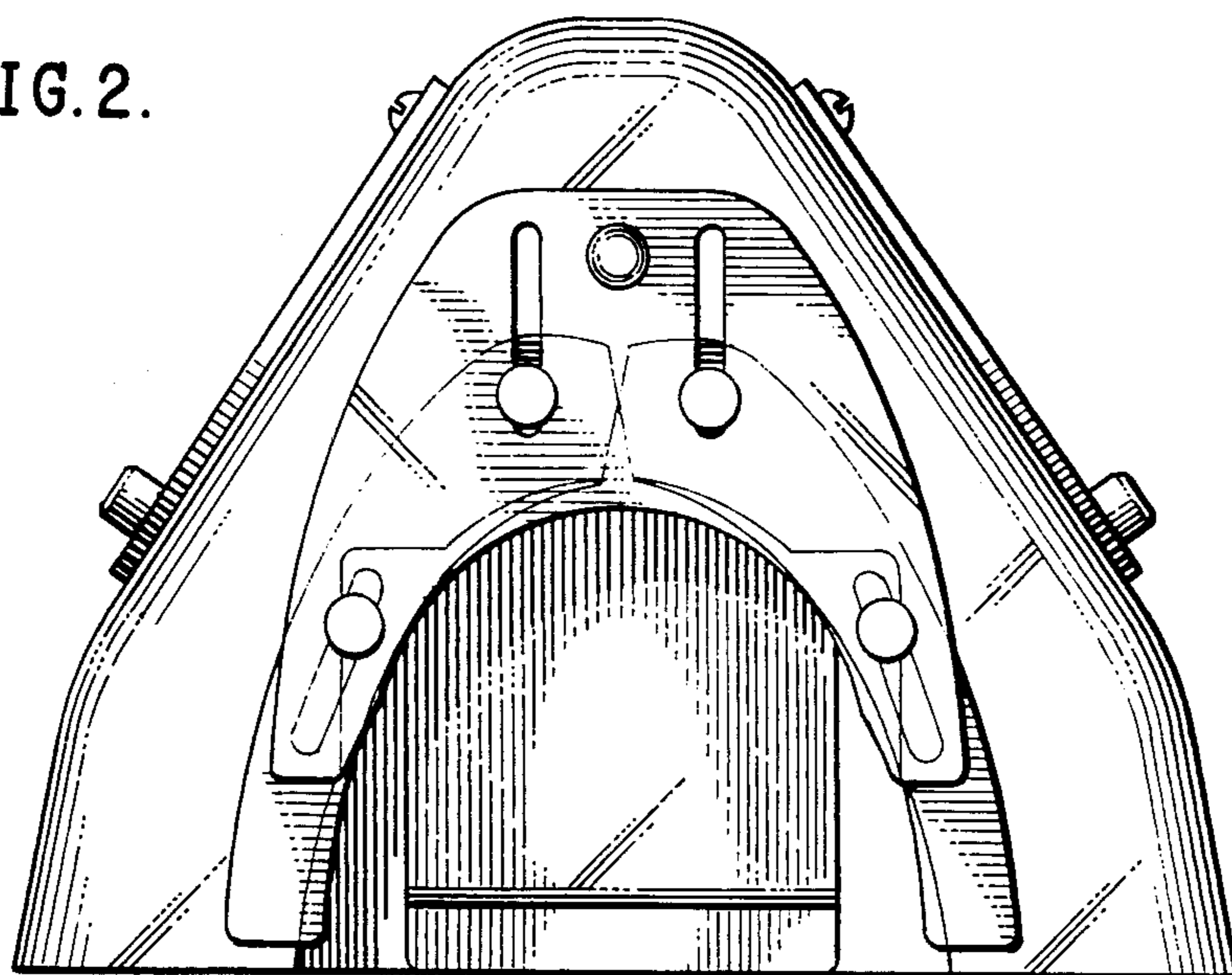


FIG. 2.



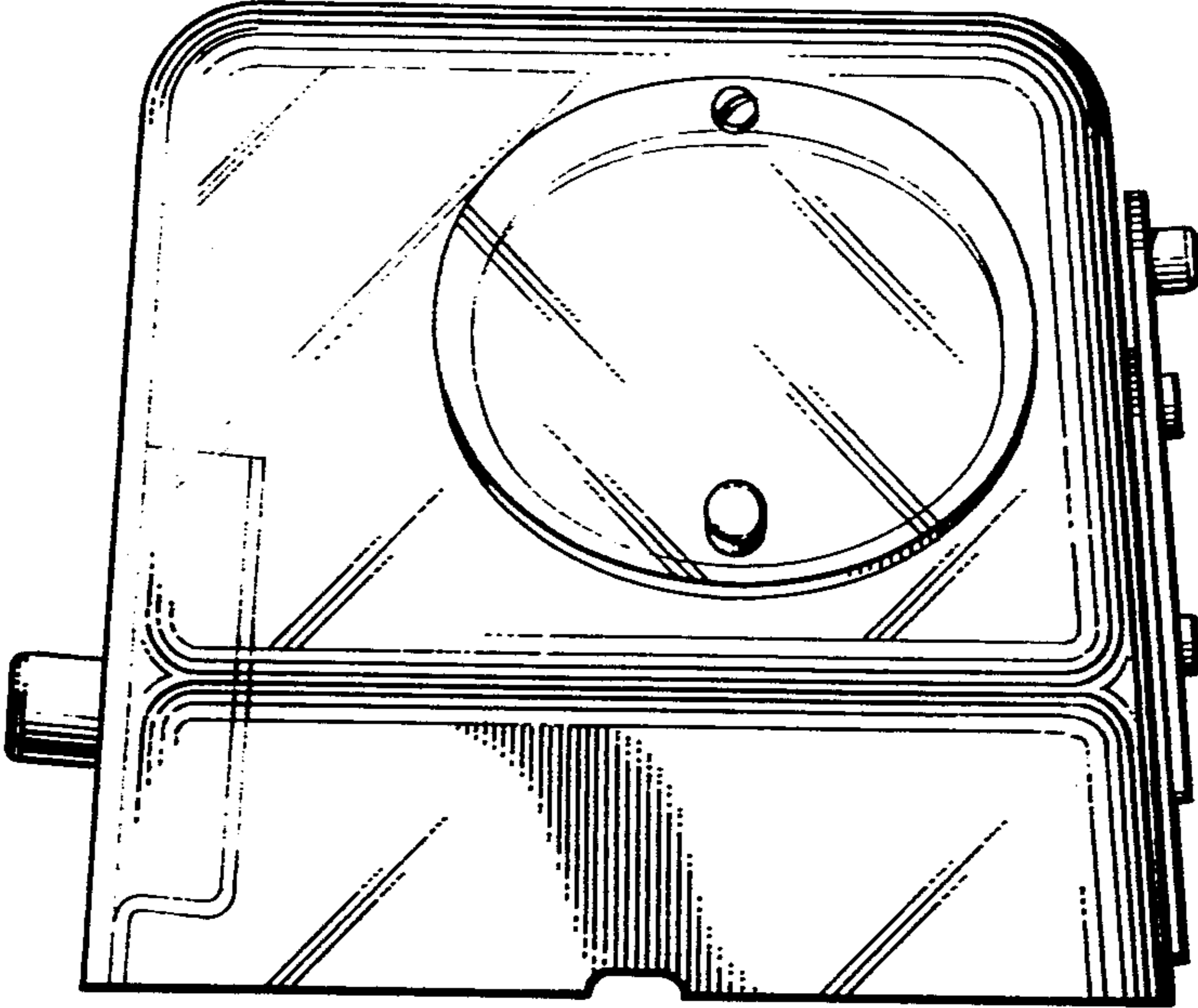


FIG. 3.

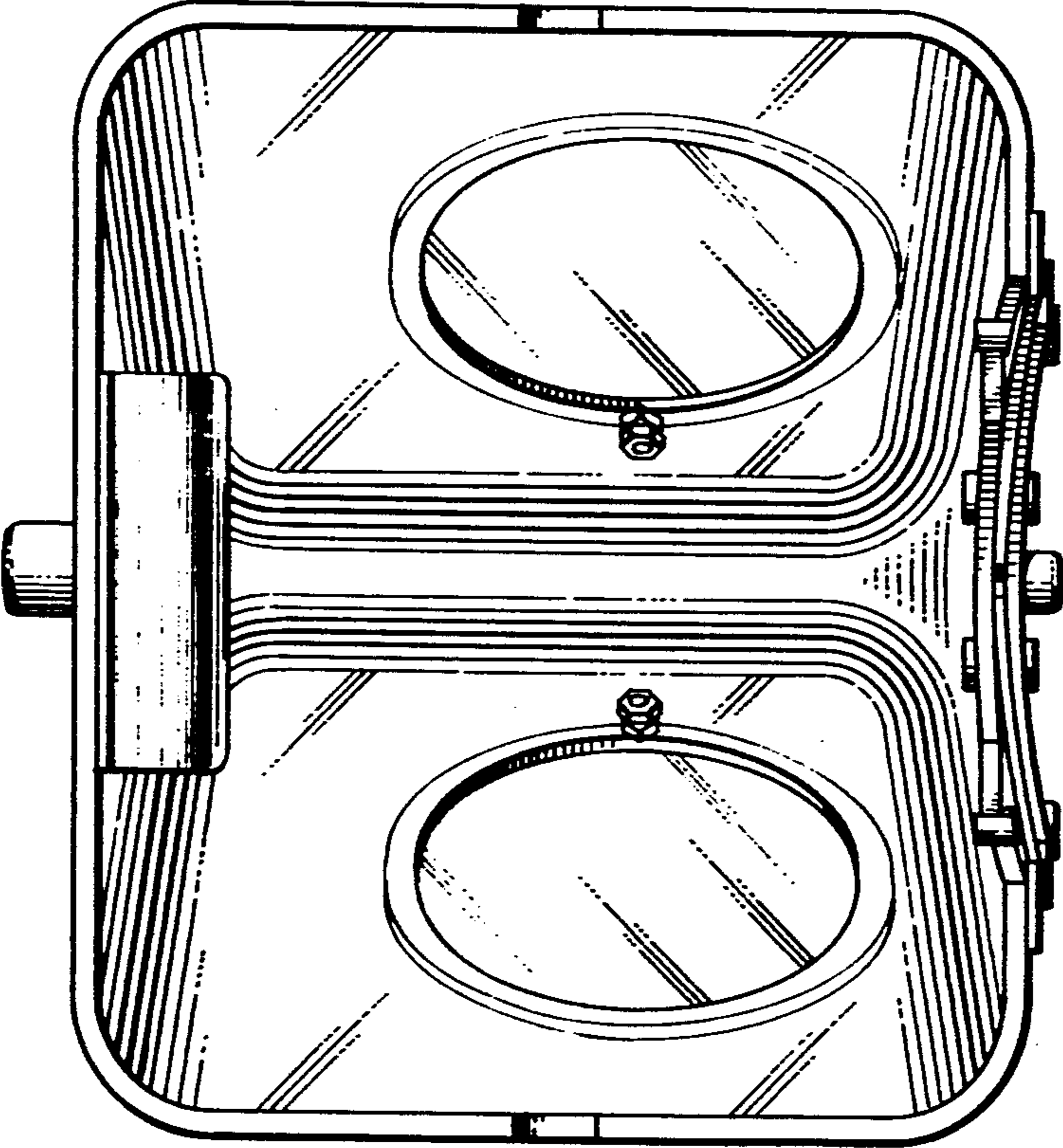


FIG. 4.