

[54] STOVE

[76] Inventor: Dale A. Peterman, Rte. 1, Box 6015, Sutherlin, Oreg. 97479

[**] Term: 14 Years

[21] Appl. No.: 711,544

[22] Filed: Aug. 4, 1976

[51] Int. Cl. D23-03

[52] U.S. Cl. D23/92

[58] Field of Search D23/72-138; 126/58, 63, 120, 122, 125

[56] References Cited

U.S. PATENT DOCUMENTS

D. 179,312	11/1956	Pierce et al.	D23/97
D. 187,770	4/1960	DuSell	D23/97
D. 237,084	10/1975	Collver	D23/97

D. 238,784	2/1976	Wescott	D23/97
D. 241,548	9/1976	Rheingold et al.	D23/97
D. 244,199	5/1977	Davis	D23/97
2,789,554	4/1957	Dupler	126/63
3,190,279	6/1965	Davis	126/63
3,952,721	4/1976	Patterson	126/63
4,015,579	4/1977	Wirth et al.	126/63
4,026,263	5/1977	Boyd	126/16 A

Primary Examiner—James R. Largen
Attorney, Agent, or Firm—Kenneth S. Klarquist

[57] CLAIM

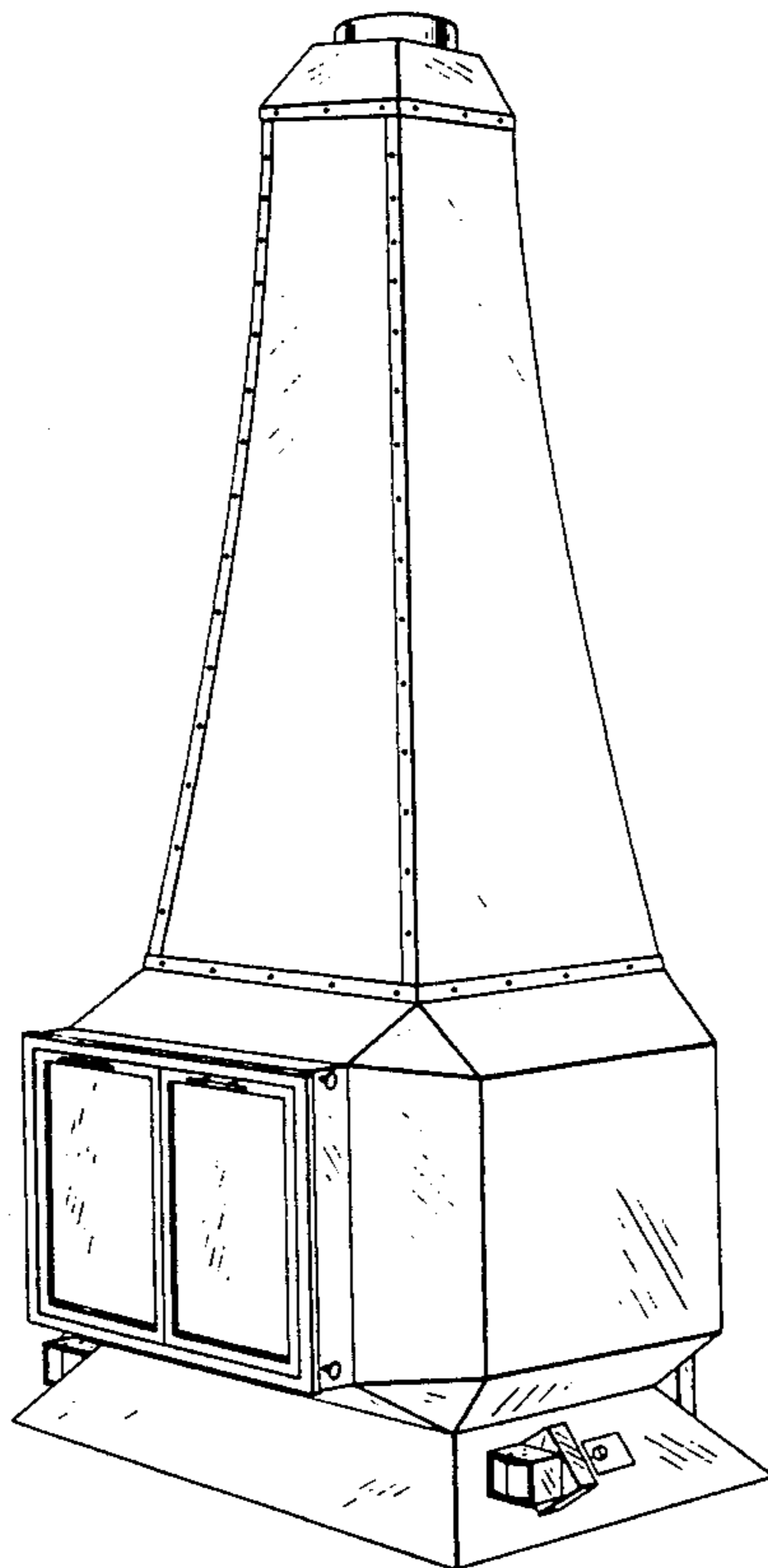
The ornamental design for a stove, as shown.

DESCRIPTION

FIG. 1 is a perspective view taken from the front and right side of a stove showing my new design;

FIG. 2 is a perspective view taken from the rear, top and left side thereof; and

FIG. 3 is a top plan view thereof.



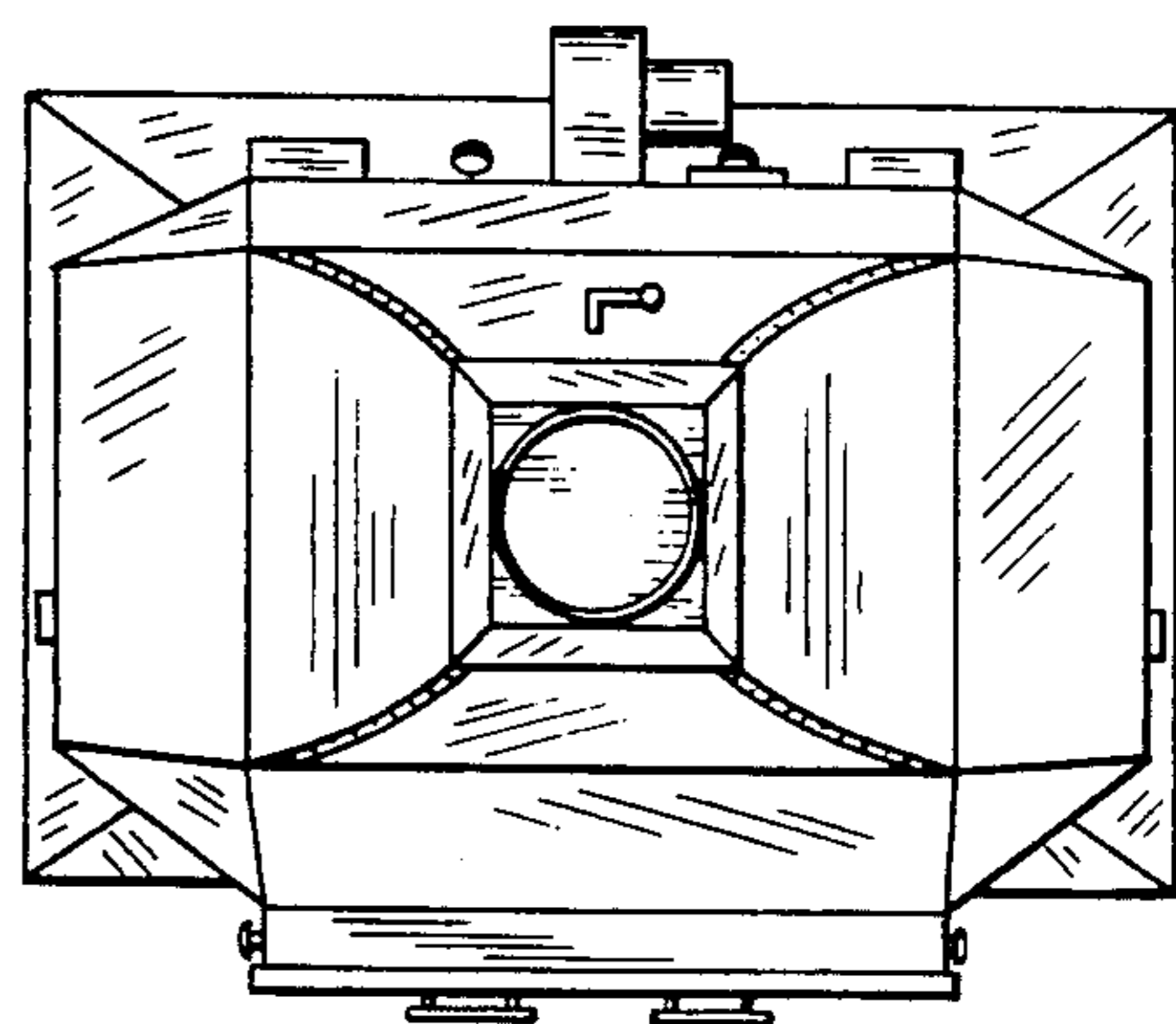
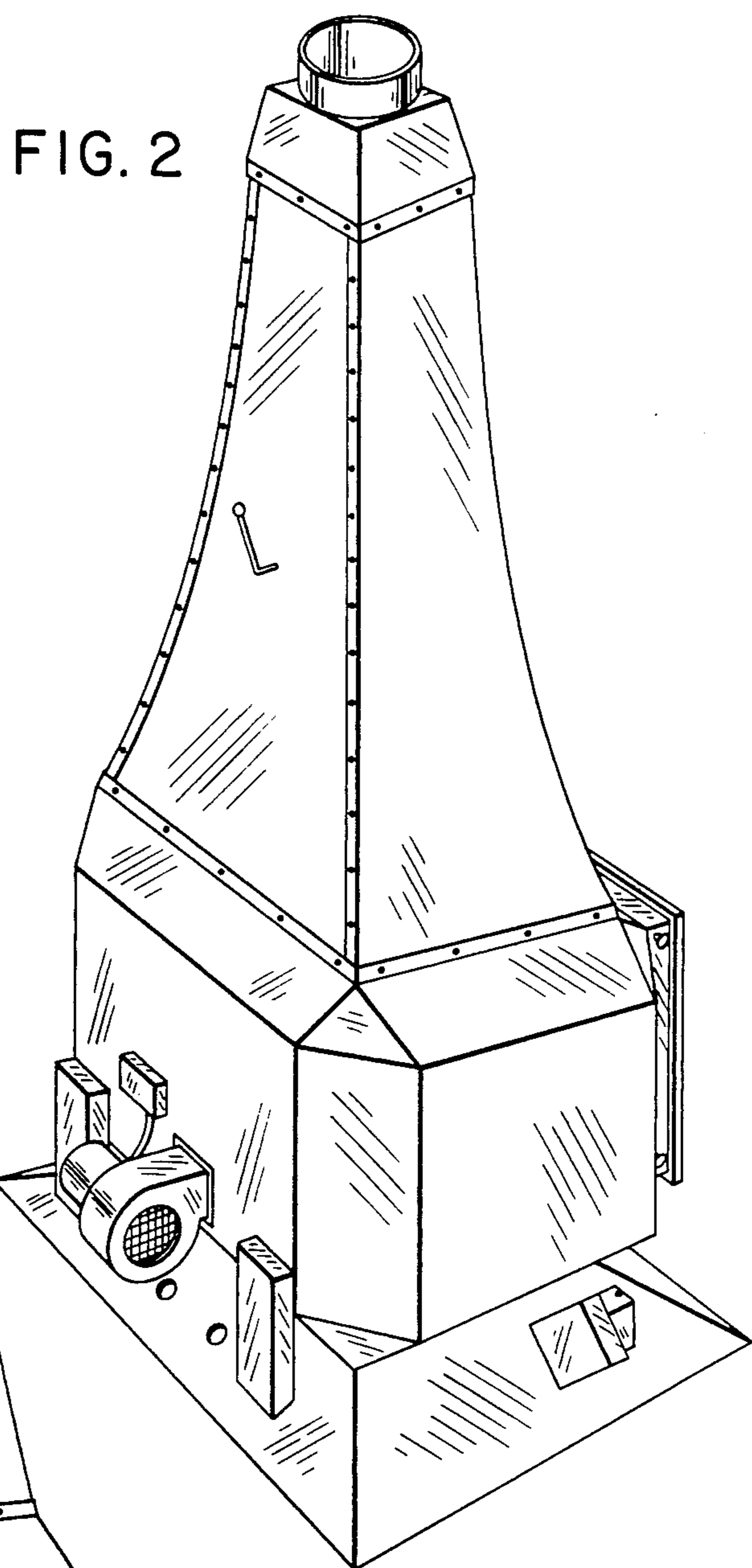
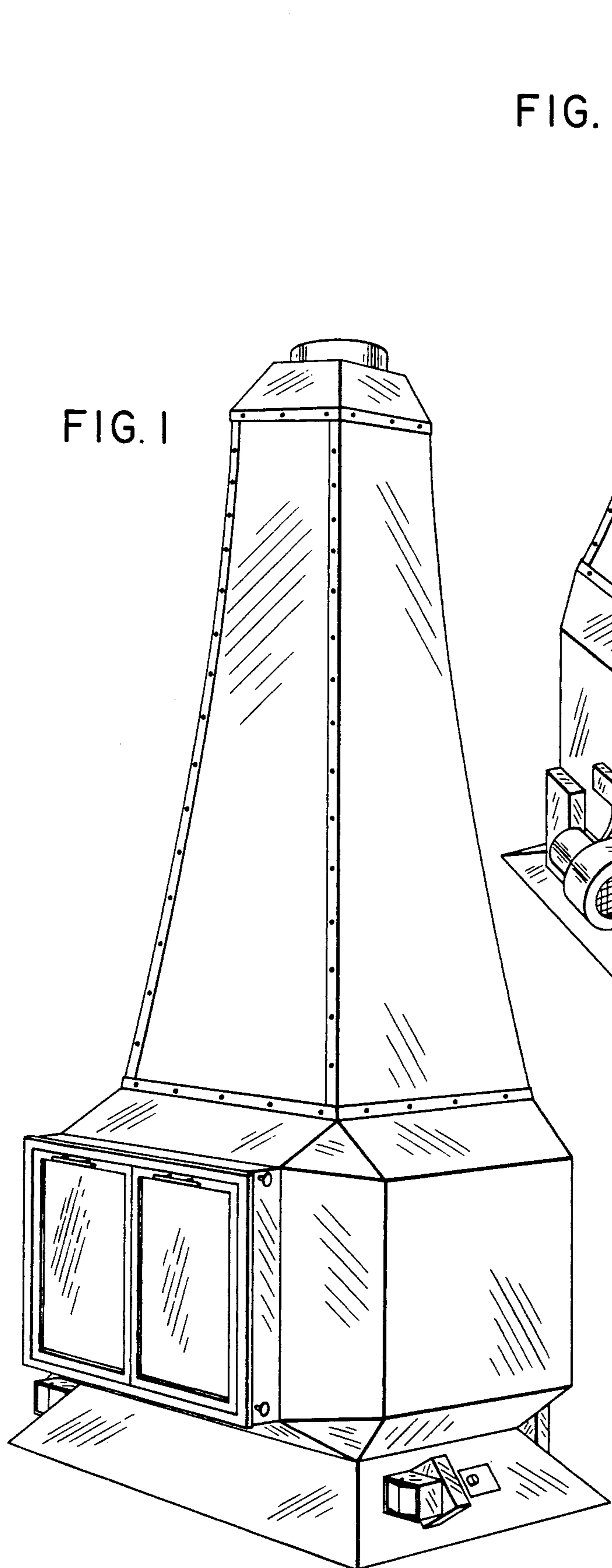


FIG. 3