

[54] HUNTING BLIND

[76] Inventors: Joe D. Worley, Jr., 1201 Big Cove Rd.; Jyles L. Machen, 1515 Locust Cir., both of Huntsville, Ala. 35801

[**] Term: 14 Years

[21] Appl. No.: 754,732

[22] Filed: Dec. 27, 1976

[51] Int. Cl. D22-99

[52] U.S. Cl. D22/99

[58] Field of Search 43/1; D22/1, 3, 10, D22/13, 15, 18, 95; 52/20; 297/180; D25/16

[56]

References Cited

U.S. PATENT DOCUMENTS

3,018,857	1/1962	Parham	43/1 X
3,744,842	7/1973	Ronning	43/1 X

Primary Examiner—A. Hugo Word
Attorney, Agent, or Firm—C. A. Phillips

[57]

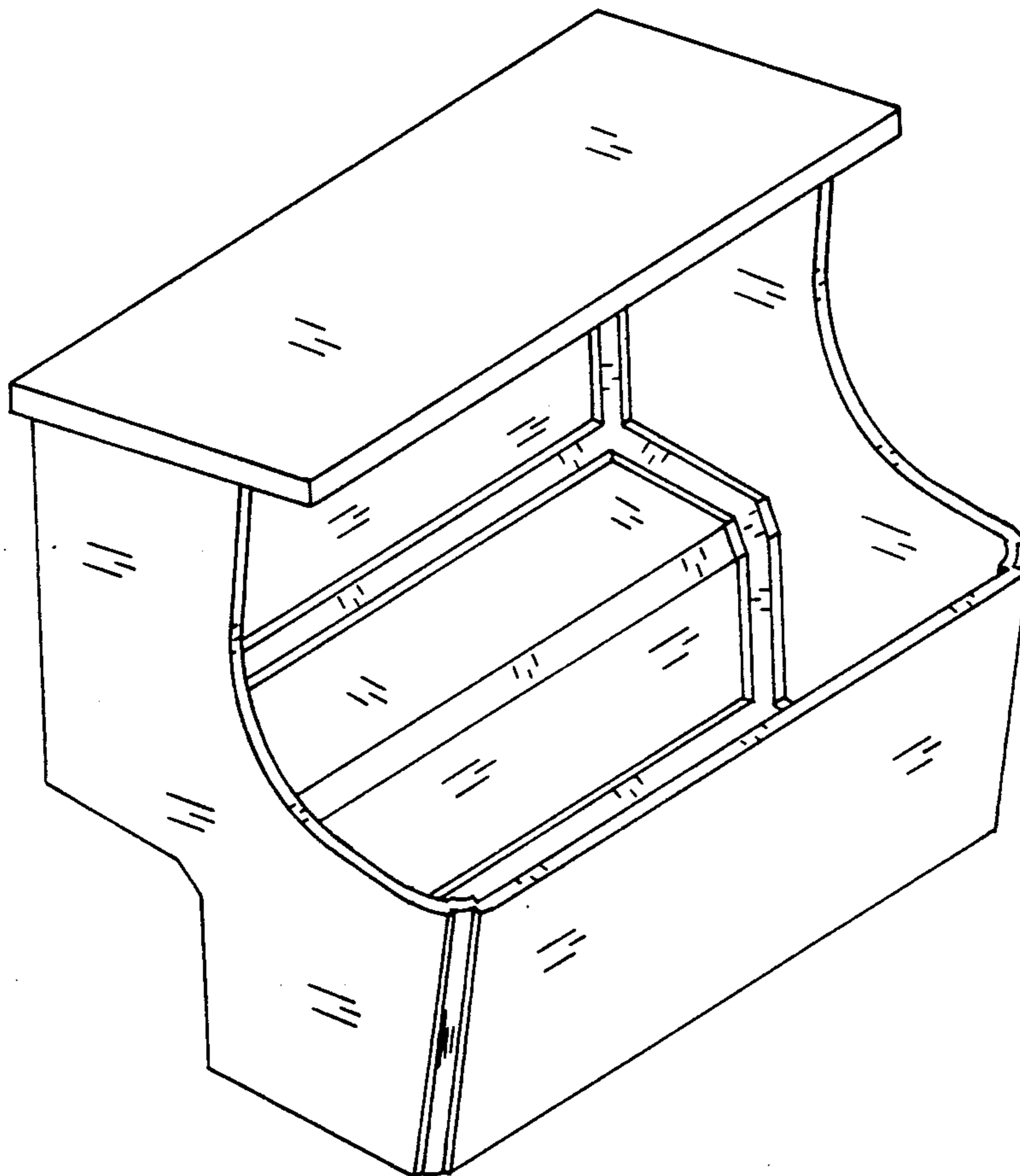
CLAIM

The ornamental design for a hunting blind, substantially as shown and described.

DESCRIPTION

The single FIGURE is a pictorial view of the hunting blind.

The back side and right outside surfaces conform to the shown inside surfaces, the left inside surface conforms to the left outside surfaces, and the bottom surfaces are flat and conform to bottom edges of the side portions.



U.S. Patent

April 11, 1978

Des. 247,715

