

[54] GUN

[75] Inventor: Eugene Russett Clifford, 935 Osorio Ave., Coral Gables, Fla. 33134

[73] Assignee: Eugene Russett Clifford

[\*\*] Term: 14 Years

[21] Appl. No.: 705,691

[22] Filed: Jul. 15, 1976

[51] Int. Cl. .... D22-01

[52] U.S. Cl. .... D22/6; D22/3

[58] Field of Search ..... D34/15 NN, 15 PP, 15 UU, D34/15 TT, 15 VV, 15 WW, 15 PT; D22/1, 7, 6; 42/77, 71 R, 1 S, 76 R, 78, 75 B; 124/27, 13, 16; 89/189, 191, 199, 175, 165

[56] References Cited

U.S. PATENT DOCUMENTS

3,661,049 5/1972 Perrine ..... D22/1 UX  
3,939,589 2/1976 Tellie ..... 42/1.5 X

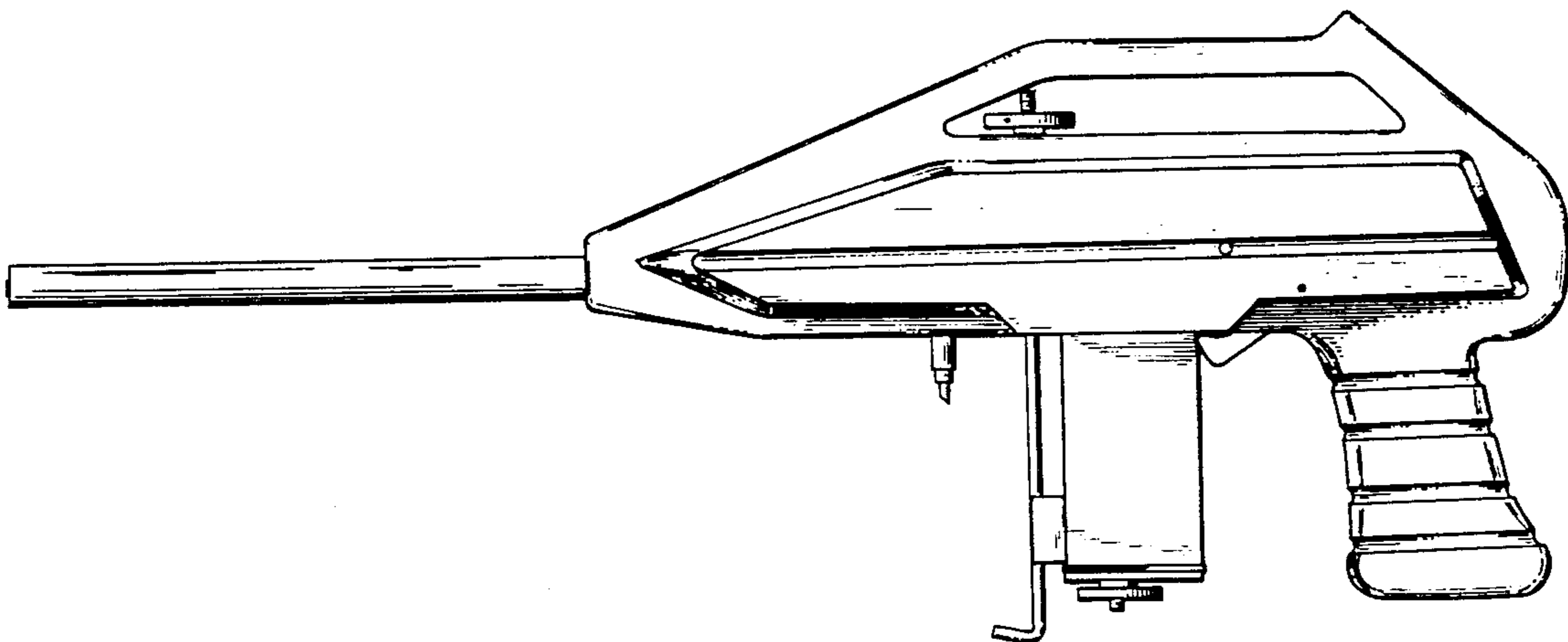
Primary Examiner—A. Hugo Word  
Attorney, Agent, or Firm—Benjamin H. Sherman

[57] CLAIM

The ornamental design for a gun, substantially as shown.

DESCRIPTION

FIG. 1 is a side-elevational view of the gun.  
FIG. 2 is a front-end-elevational view of the gun illustrated in FIG. 1.  
FIG. 3 is a rear-end-elevational view of the gun illustrated in FIG. 1.  
FIG. 4 is a top-plan view of the gun illustrated in FIG. 1.  
FIG. 5 is a bottom-plan view of the gun illustrated in FIG. 1.  
FIG. 6 is a side elevational view of the opposite side of the gun of FIG. 1 on a reduced scale.



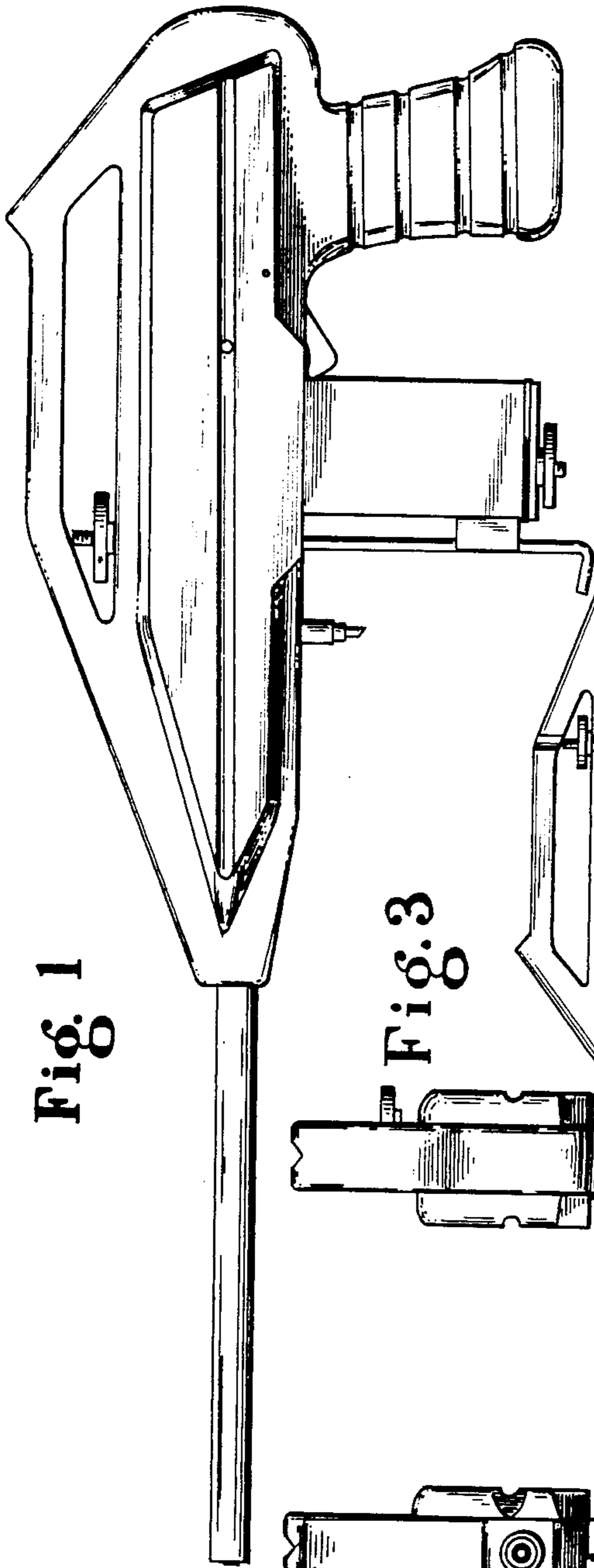


Fig. 1

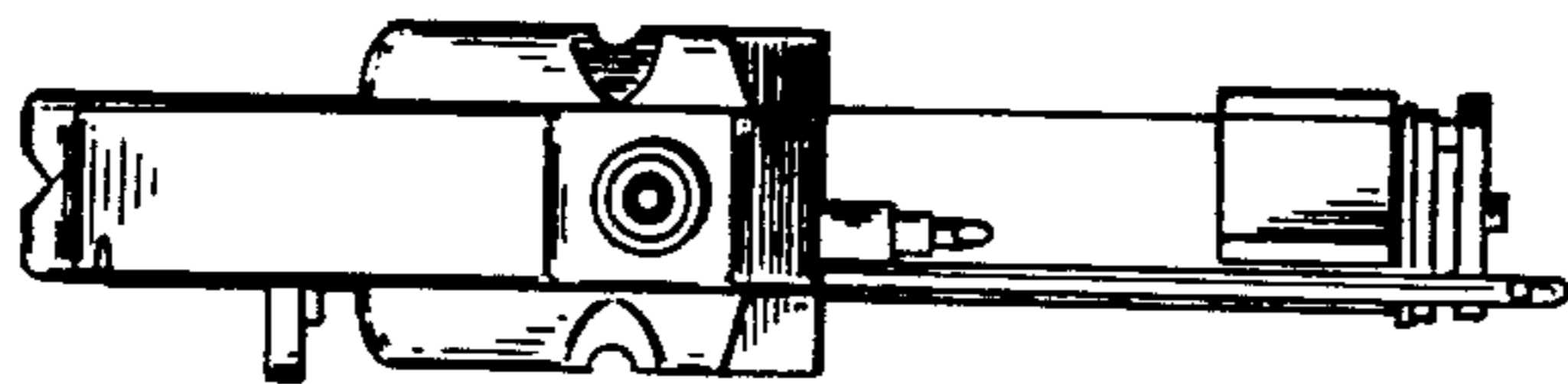


Fig. 2

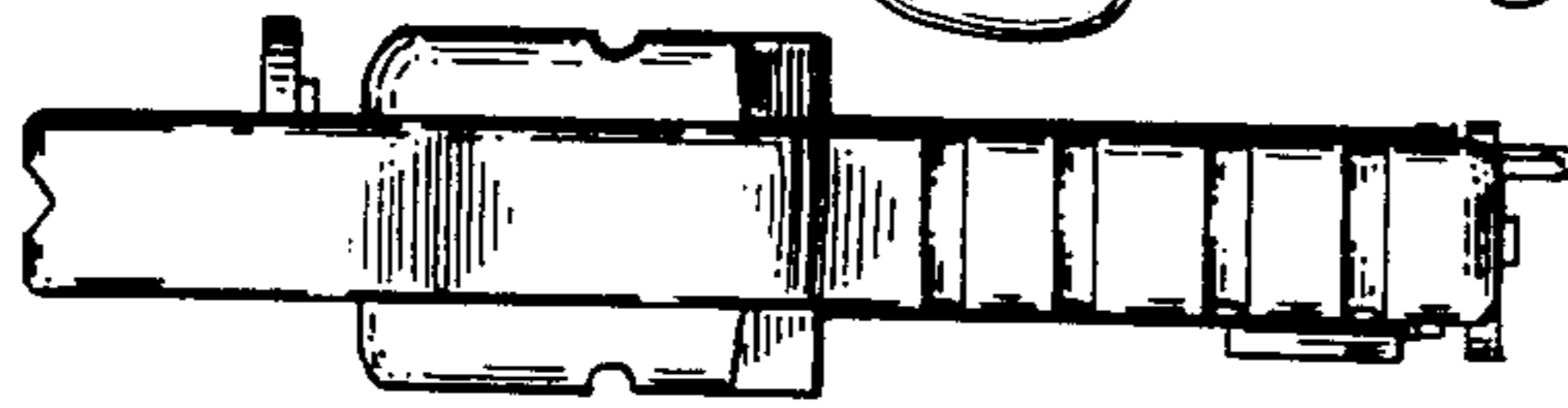


Fig. 3

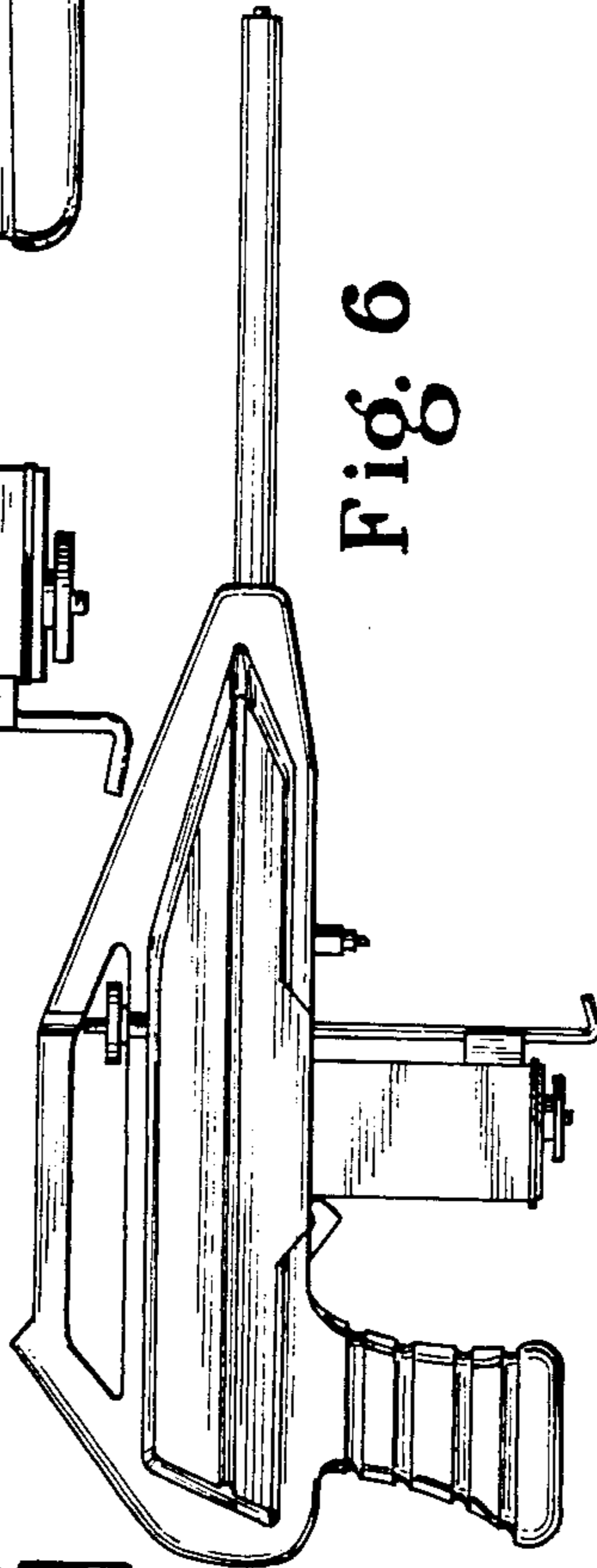


Fig. 6



Fig. 4

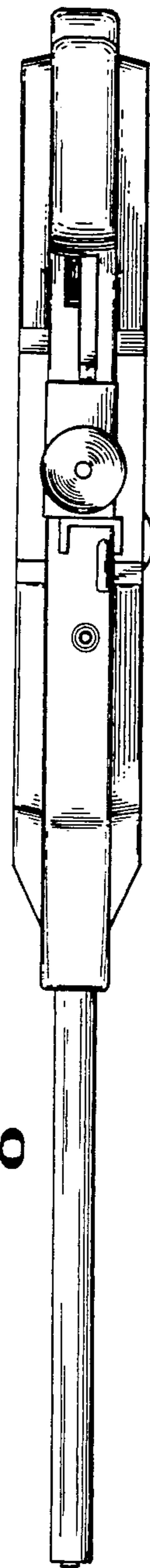


Fig. 5