

[54] FISH HOOK KNOT TYING DEVICE

[76] Inventor: Donald E. Etes, 124 Edgewood Dr., Crystal Lake, Ill. 60014

[**] Term: 14 Years

[21] Appl. No.: 770,891

[22] Filed: Feb. 22, 1977

[51] Int. Cl. D22-05

[52] U.S. Cl. D22/31

[58] Field of Search 43/1, 54.5 R, 44.83, 43/57.5 R, 57.5 A; 289/17; D22/37, 25

[56] References Cited

U.S. PATENT DOCUMENTS

D. 211,685	7/1968	Hill	D22/31
D. 219,021	10/1970	Graber	D22/31
2,734,299	2/1956	Masson	43/1 X

FOREIGN PATENT DOCUMENTS

1,199,376 6/1959 France 43/1

Primary Examiner—A. Hugo Word
Attorney, Agent, or Firm—Fred S. Lockwood

[57] CLAIM

The ornamental design for a fish hook knot tying device, as shown and described.

DESCRIPTION

FIG. 1 is a perspective view of a fish hook knot tying device embodying my new design.
FIG. 2 is a side elevational view.
FIG. 3 is a top plan view.
FIG. 4 is a bottom plan view.
FIG. 5 is a right end elevation as viewed in FIG. 2.
FIG. 6 is a left end elevation as viewed in FIG. 2.
The broken line showing of the line and hook in FIG. 1 is for illustrative purposes only and form no part of the claimed article.

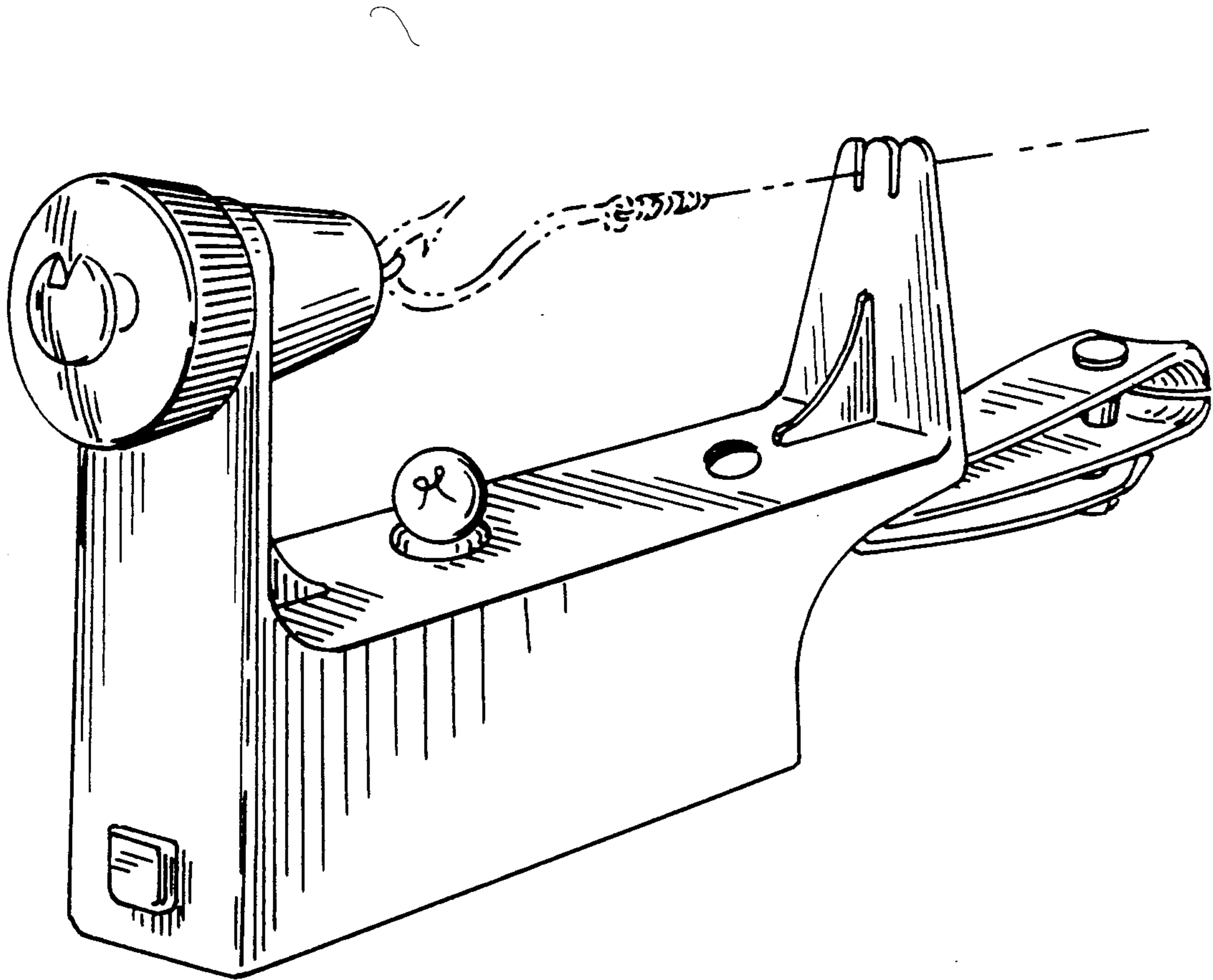


FIG. 1.

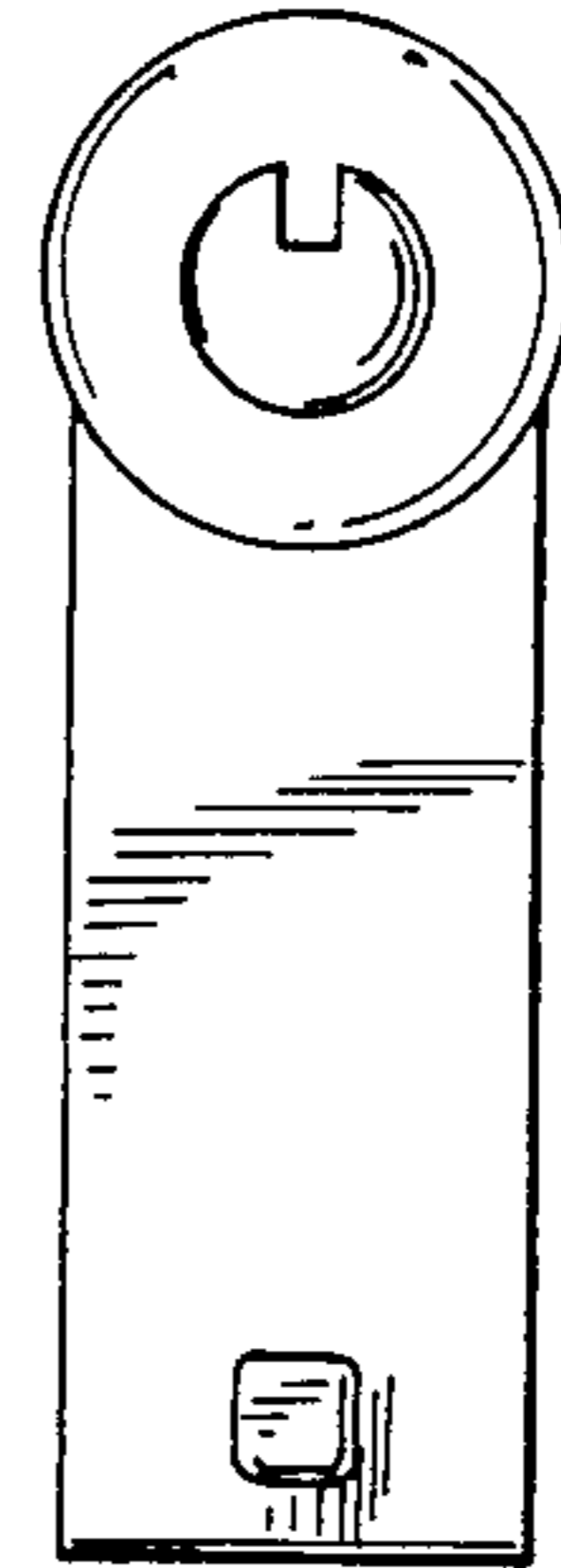
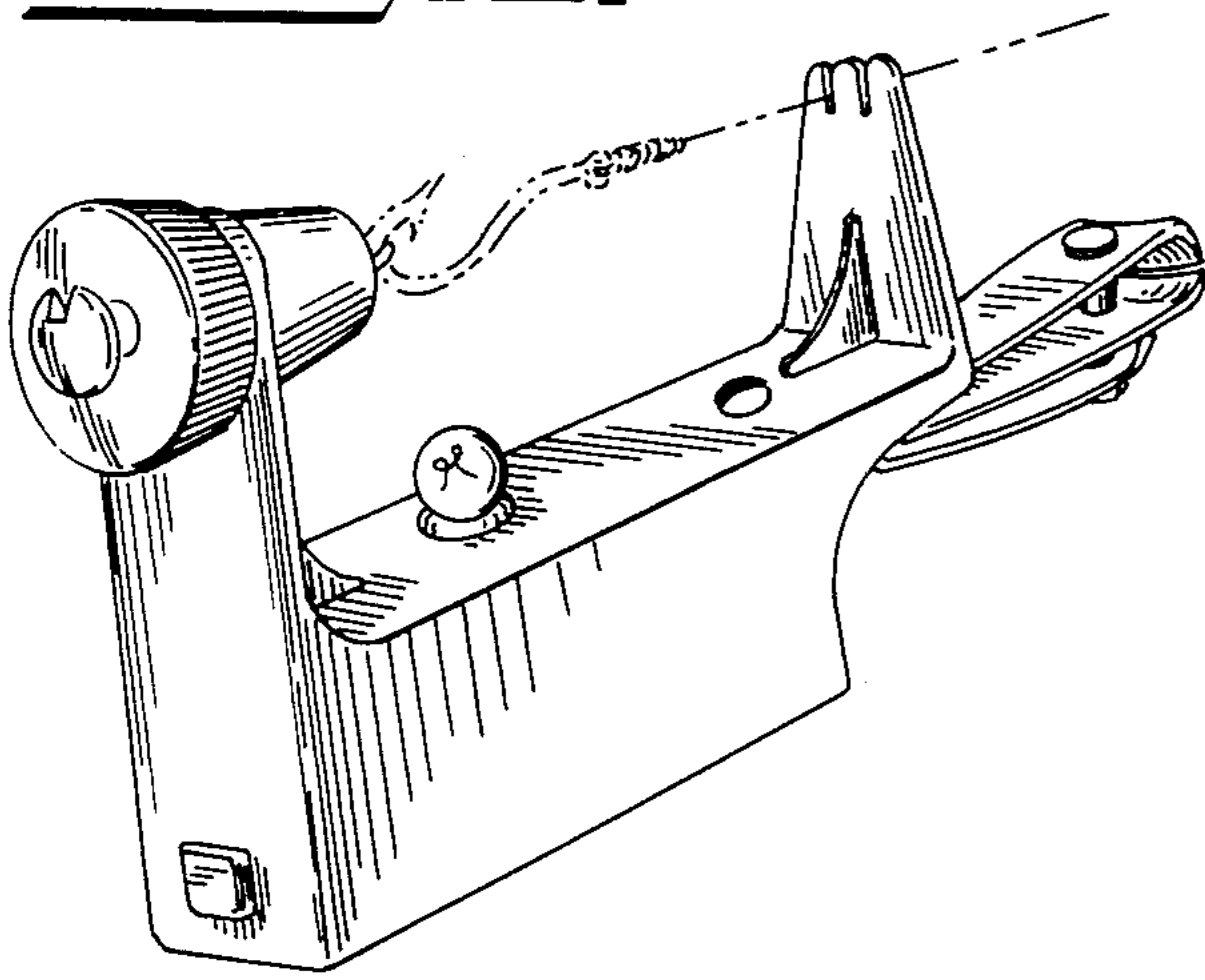


FIG. 5.

FIG. 2.

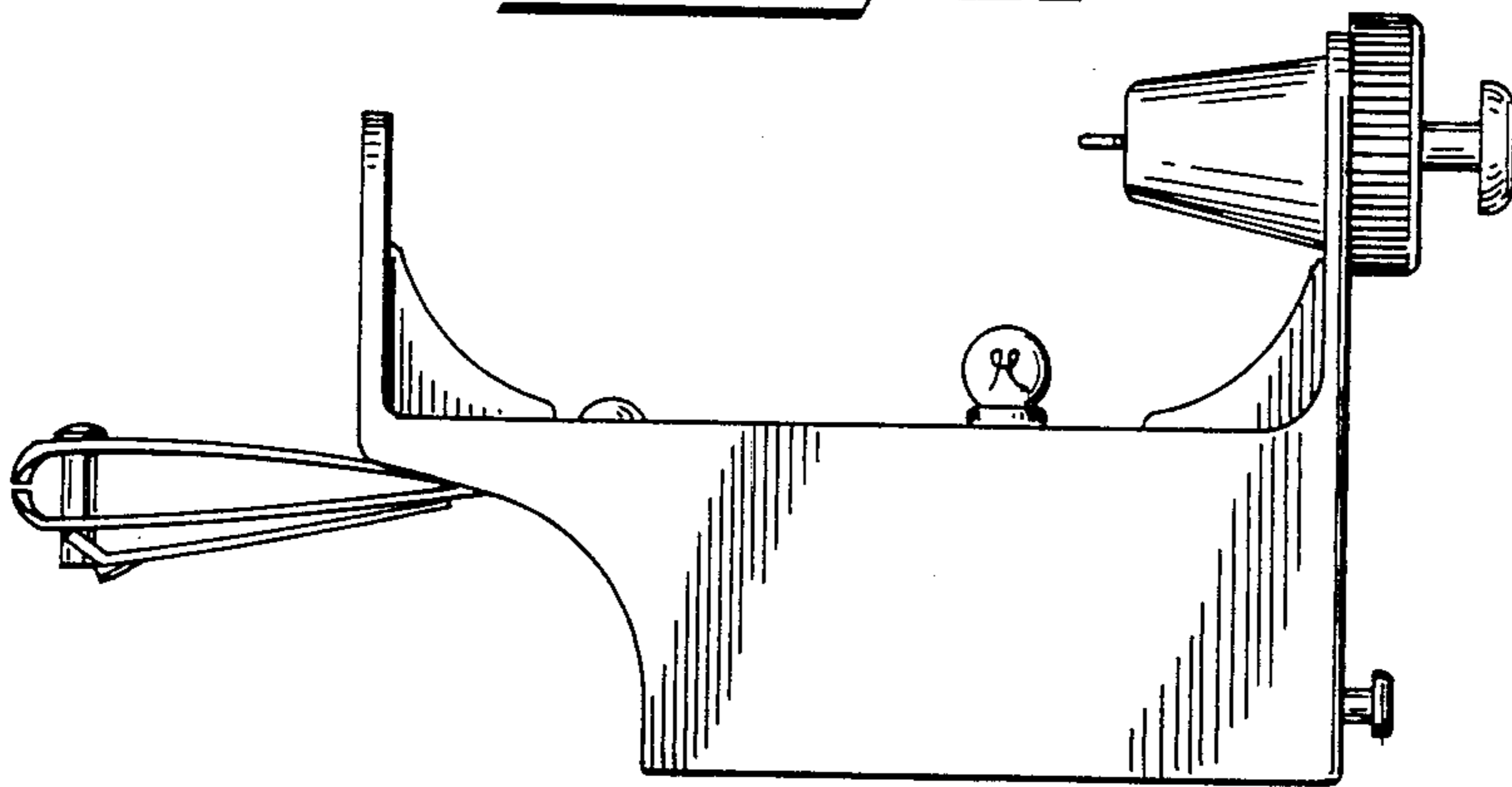


FIG. 6.

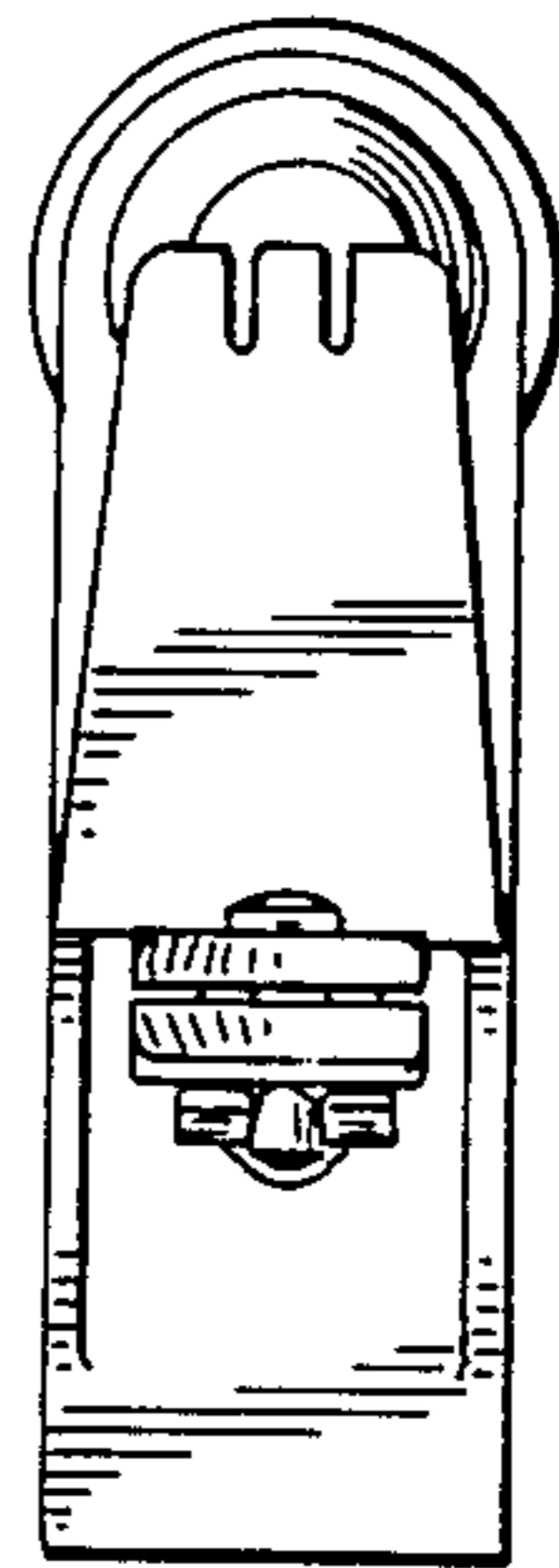


FIG. 3.

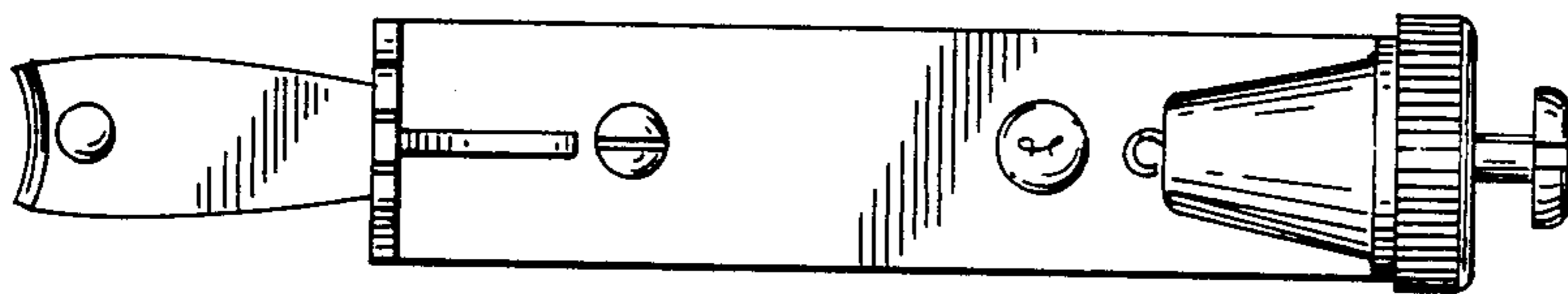


FIG. 4.

