

[54] ATTACHABLE FOLDING SLEEPER UNIT FOR VEHICLES

[76] Inventor: William I. Pittman, 3228 Nebraska Pl., Costa Mesa, Calif. 92626

[\*\*] Term: 14 Years

[21] Appl. No.: 742,554

[22] Filed: Nov. 17, 1976

[51] Int. Cl. .... D12-16

[52] U.S. Cl. .... D12/156

[58] Field of Search ..... D12/156; 296/23 R, 23 MC, 296/23 A, 23 E, 10, 26, 27, 99, 100, 137 B; 135/1 A; 224/42.1 R

[56] References Cited

U.S. PATENT DOCUMENTS

3,190,689	6/1965	Calthorpe .....	296/137 B
3,191,829	6/1965	Davis .....	D12/156
3,326,594	6/1967	VanAtta .....	135/1 A
3,356,407	12/1967	McGarry .....	296/23 R
3,411,819	11/1968	Tyree et al. ....	296/23 R

OTHER PUBLICATIONS

Popular Science, 8/74, p. 19, Car top camper, top right side of page.

Modern Plastics, 5/74, p. 30, RP camper tops, bottom left side of page.

R. V. Dealer, 12/75, p. 67, Camper top, top of page.

Primary Examiner—Wallace R. Burke

Assistant Examiner—James M. Gandy

Attorney, Agent, or Firm—William I. Pittman

[57] CLAIM

The ornamental design for an attachable folding sleeper unit for vehicles, substantially as shown and described.

DESCRIPTION

FIG. 1 is a perspective view of an attachable folding sleeper unit for vehicles showing my new design.

FIG. 2 is a perspective view thereof in expanded condition.

FIG. 3 is a perspective view thereof in partially expanded condition with the canvas window cover in unrolled condition, it being understood that the rolled up canvas at the top of the rear entrance is omitted herein for convenience of illustration.

FIG. 4 is a side elevational view of FIG. 1, the opposite side being a mirror image of the side shown herein.

FIG. 5 is a rear elevational view of FIG. 4.

FIG. 6 is a side elevational view of FIG. 2, the opposite side being a mirror image of the side shown herein.

FIG. 7 is a rear elevational view of FIG. 6.

FIG. 8 is a front elevational view of FIG. 4 showing my new design removed from the vehicle.

FIG. 9 is a side elevational view of an attachable folding sleeper unit for vehicles showing a second embodiment of my new design, the opposite side being a mirror image of the side shown herein, it being understood that the top is substantially flat and unornamented.

FIG. 10 is a rear elevational view of FIG. 9.

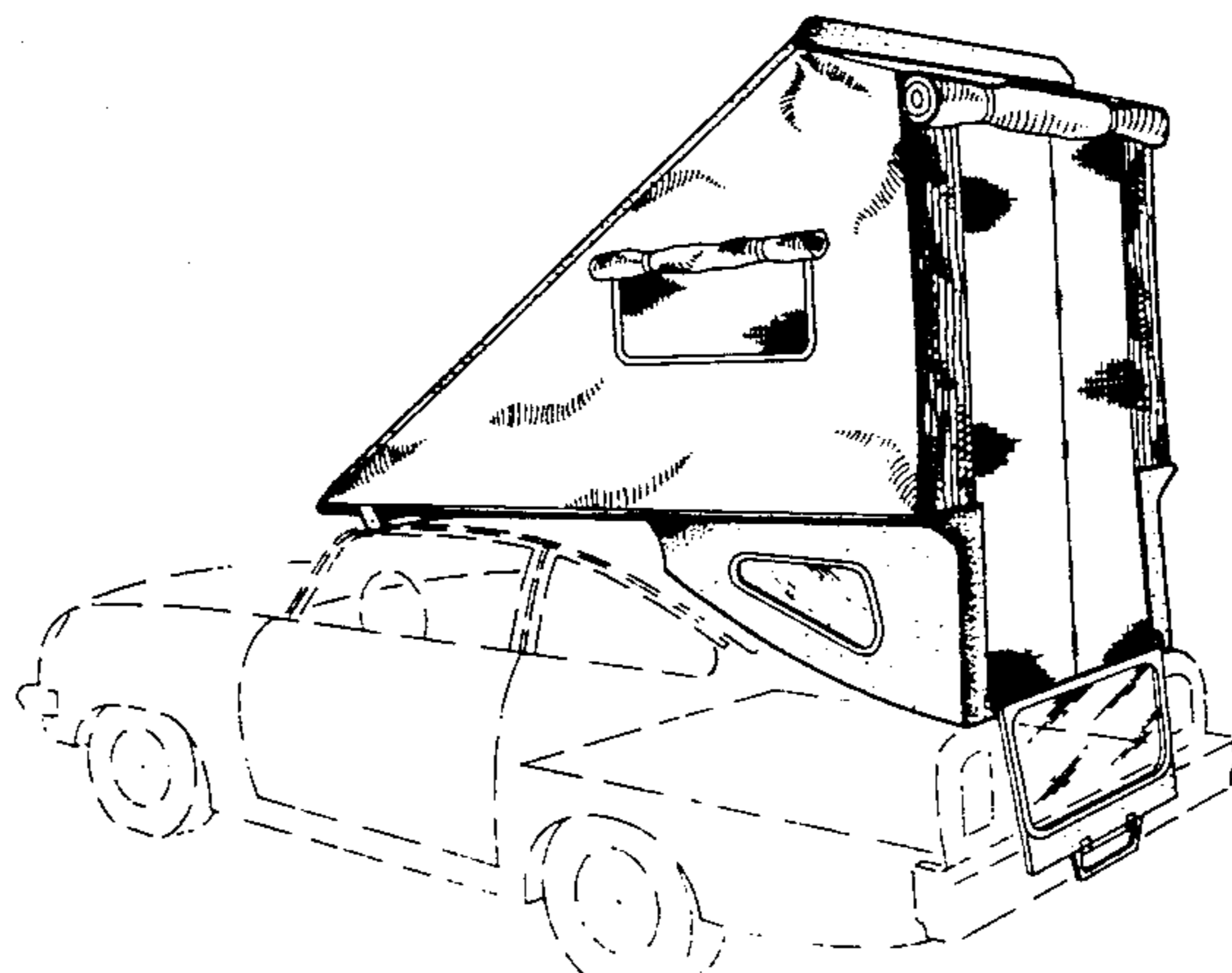
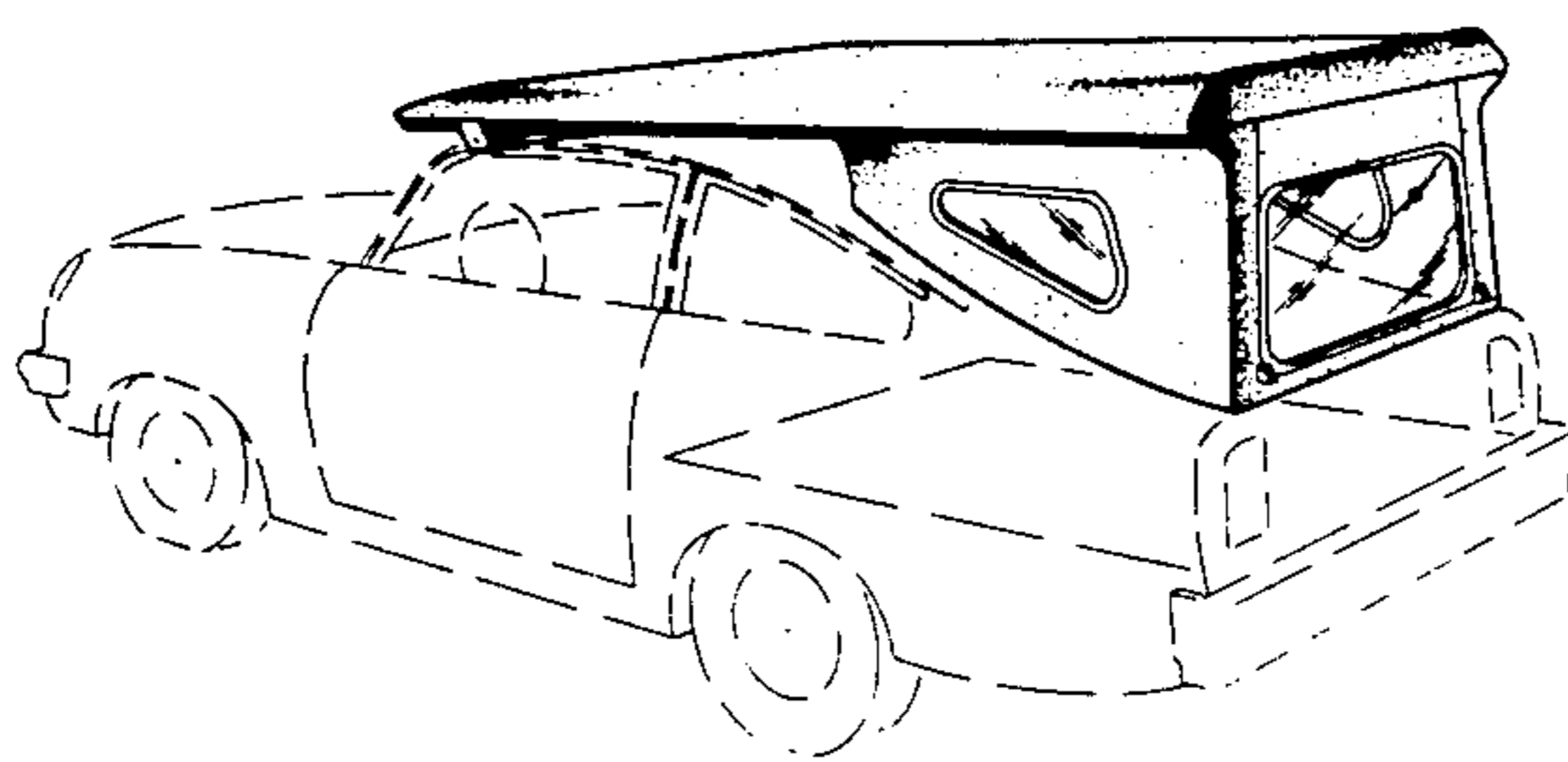
FIG. 11 is a front elevational view of FIG. 9 showing my new design removed from the vehicle.

FIG. 12 is a side elevational view of an attachable folding sleeper unit for vehicles showing a third embodiment of my new design, the opposite side being a mirror image of the side shown herein, it being understood that the top is substantially flat and unornamented.

FIG. 13 is a rear elevational view of FIG. 12.

FIG. 14 is a front elevational view of FIG. 12 showing my new design removed from the vehicle.

The broken lines in the drawings are for illustrative purposes only.



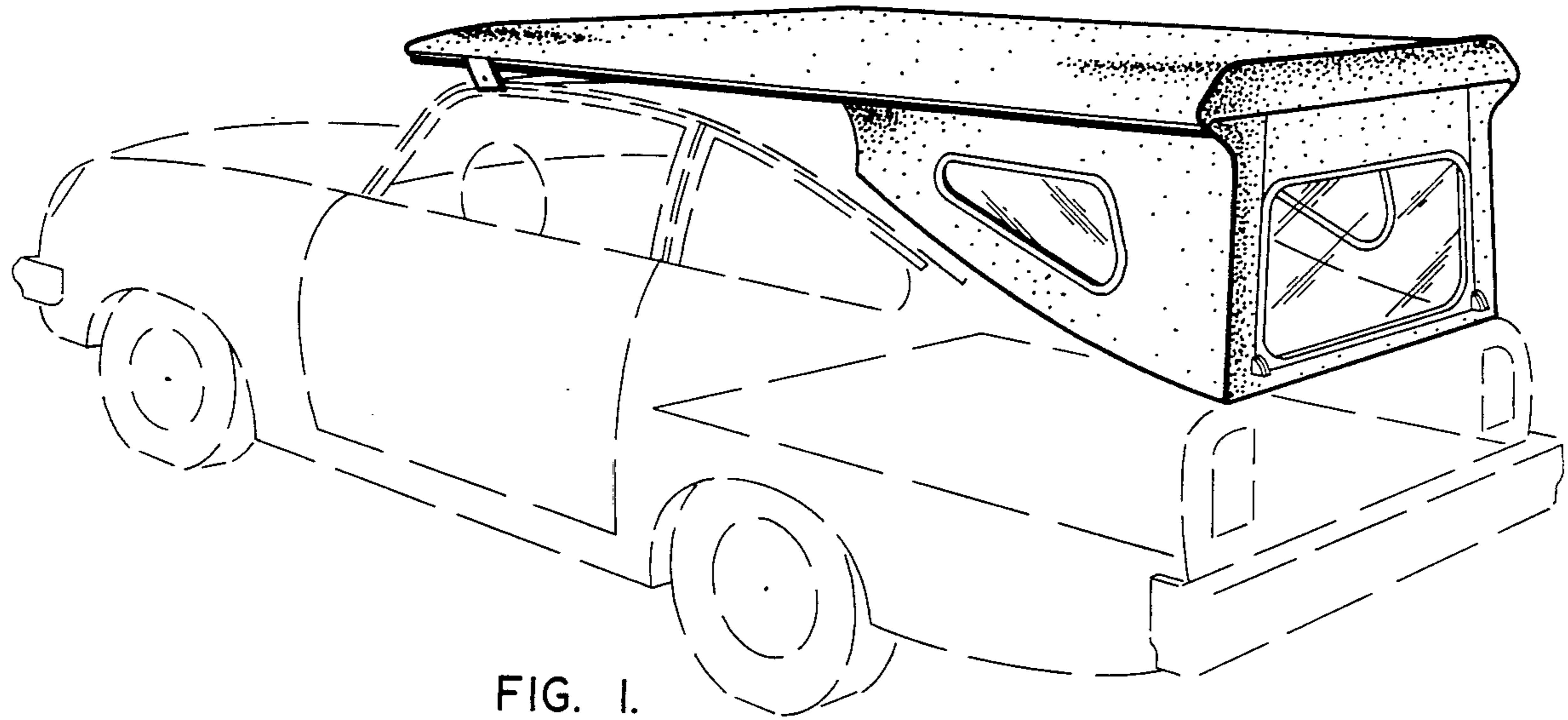


FIG. 1.

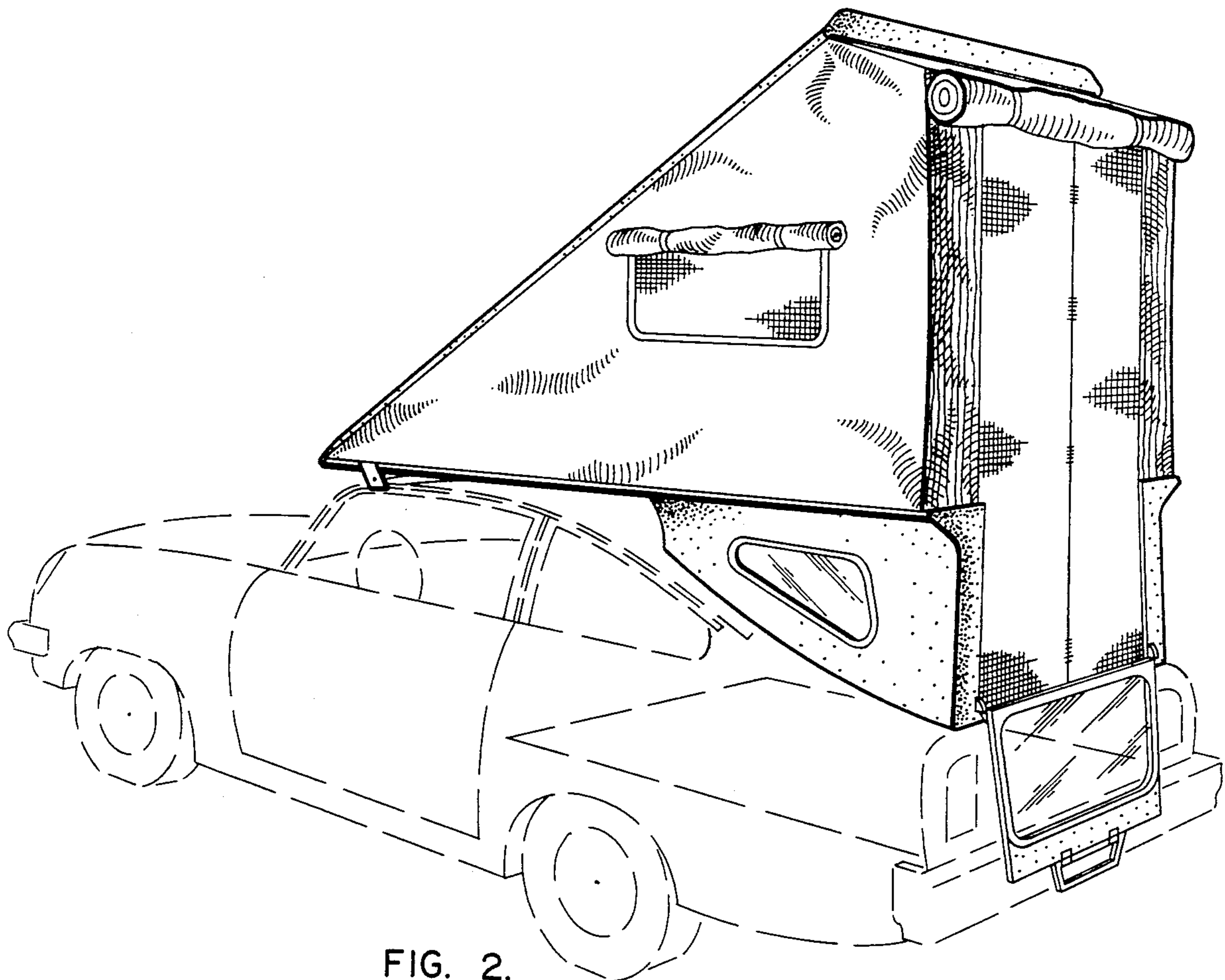


FIG. 2.

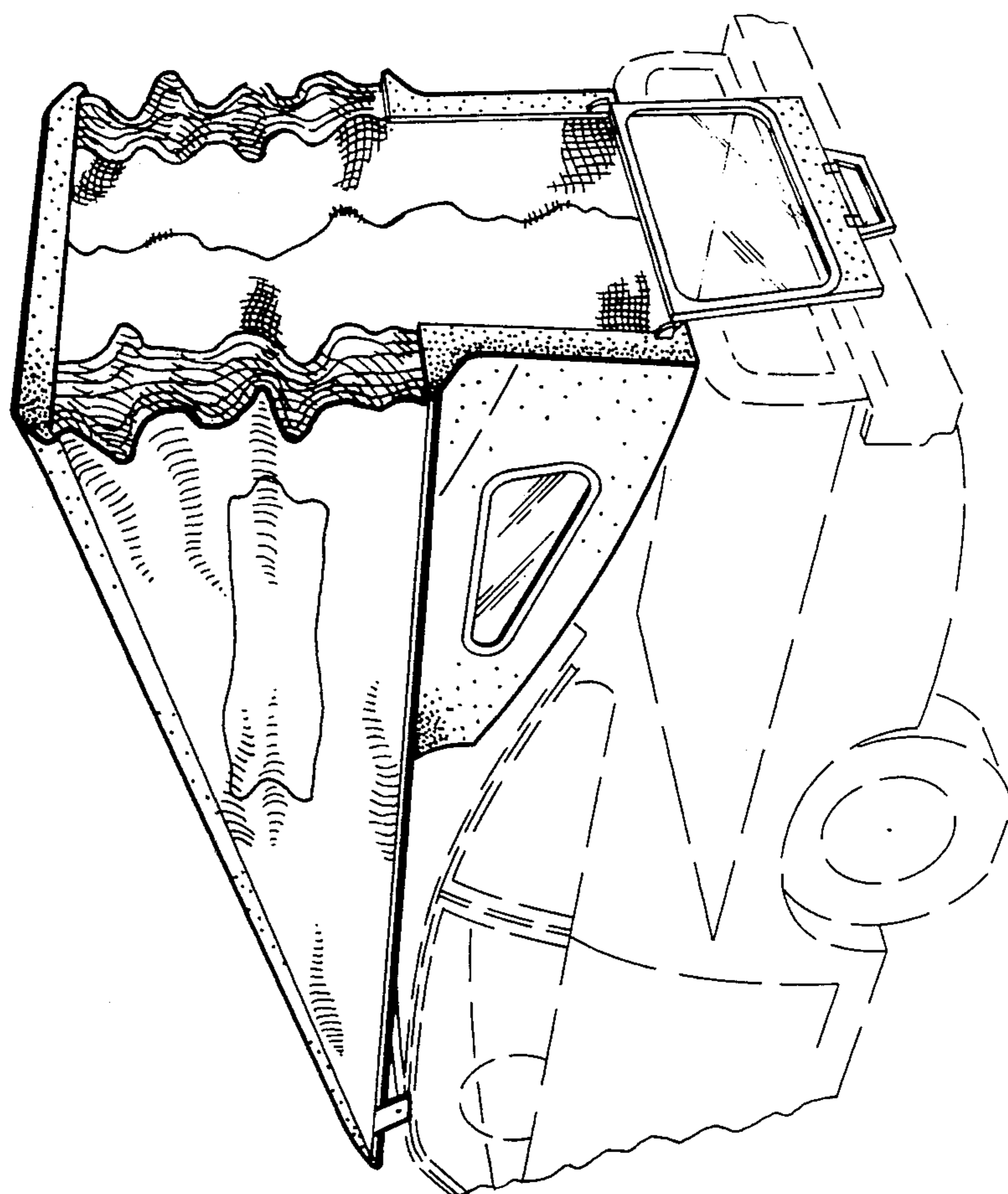


FIG. 3.

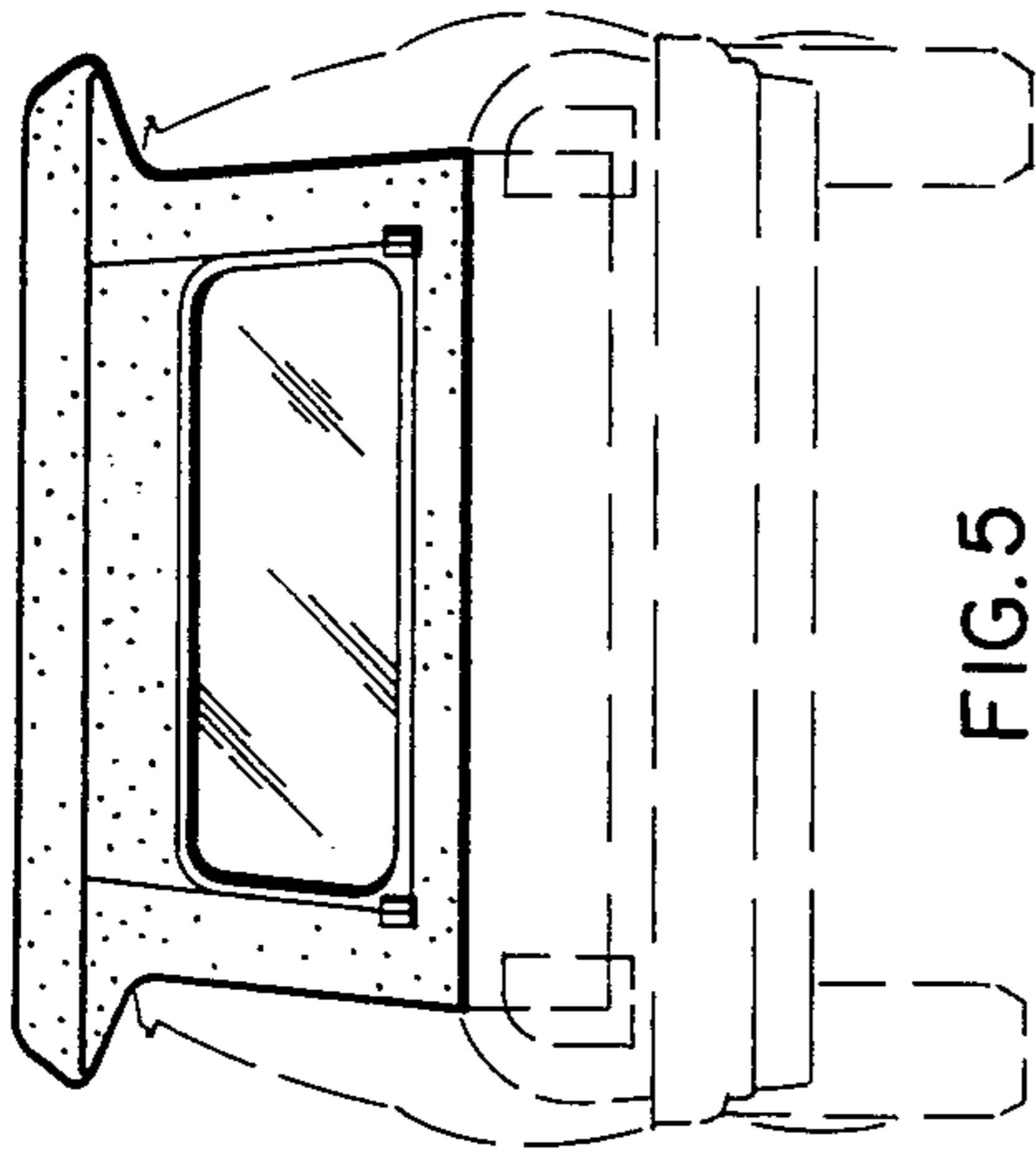


FIG. 5

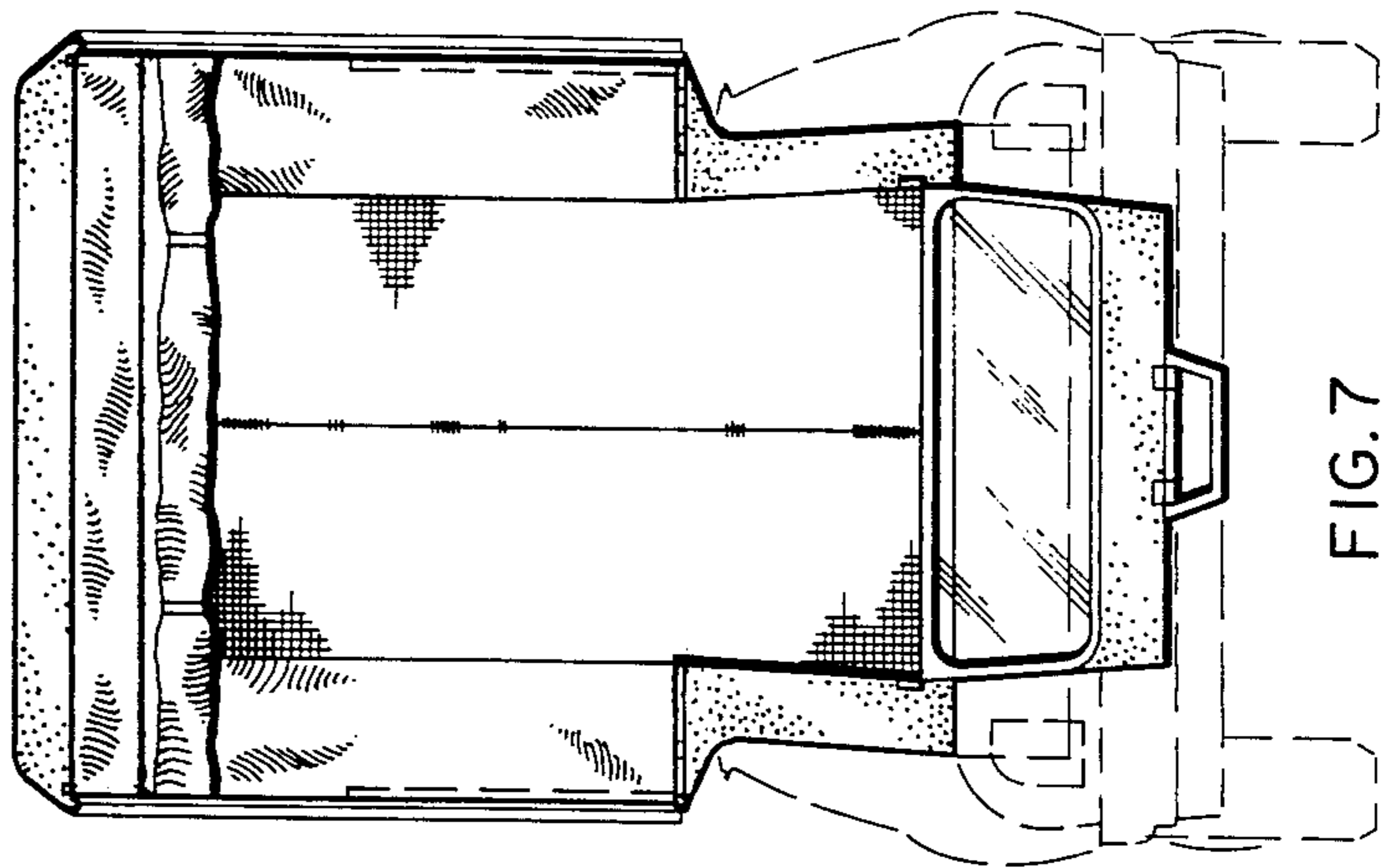


FIG. 7

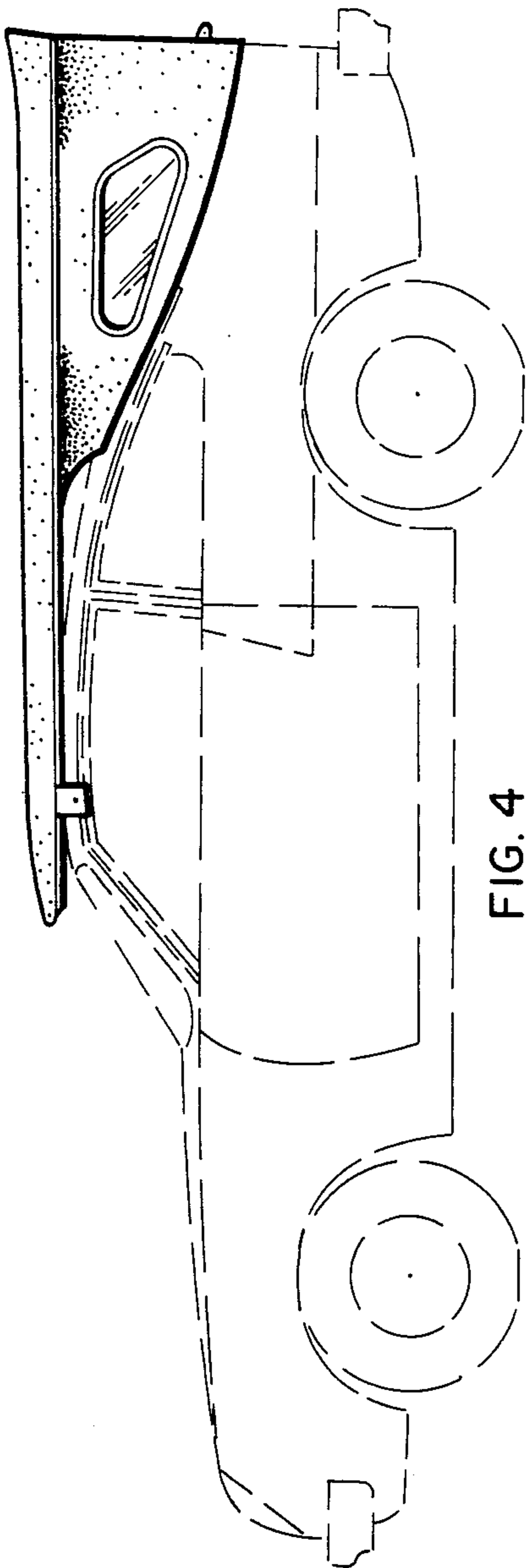


FIG. 4

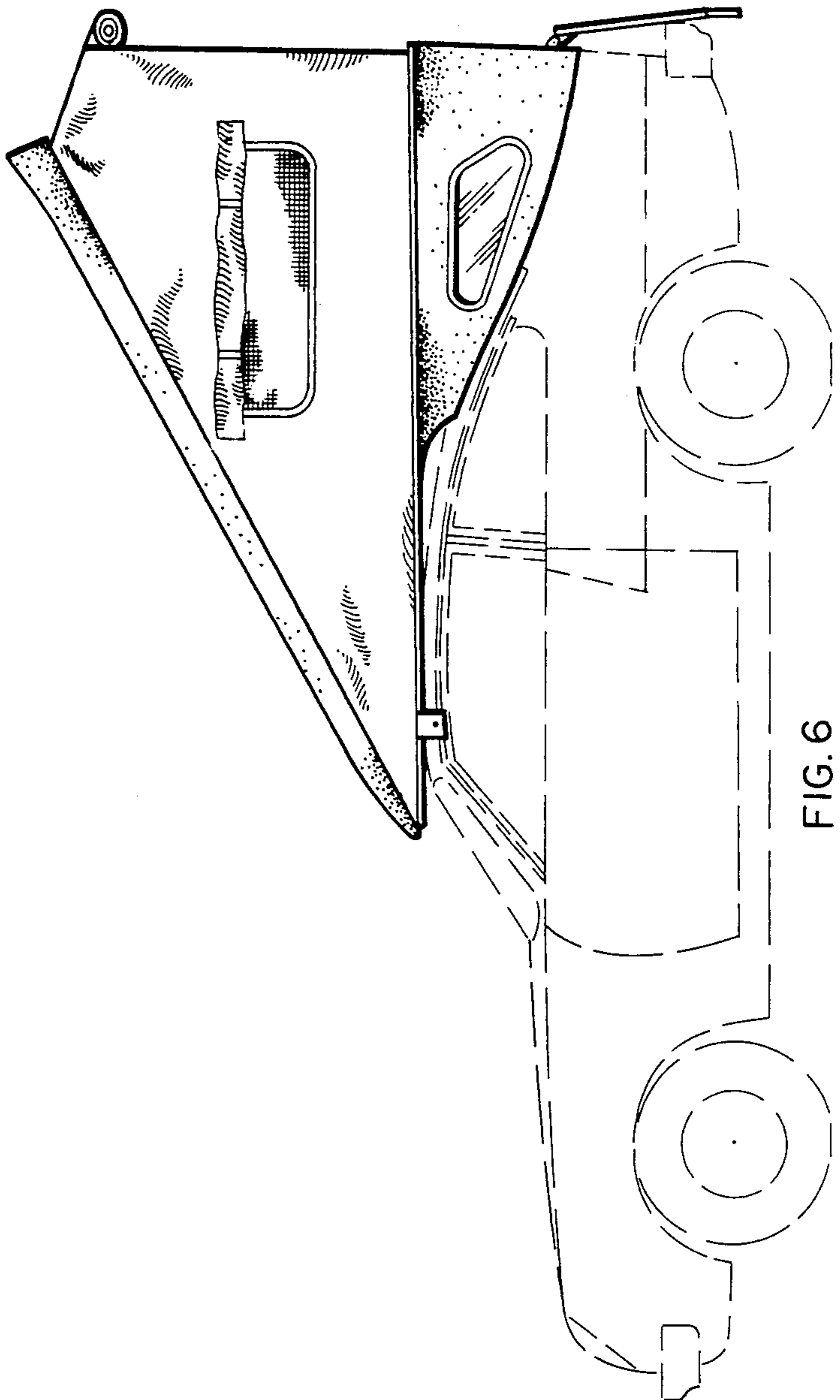


FIG. 6

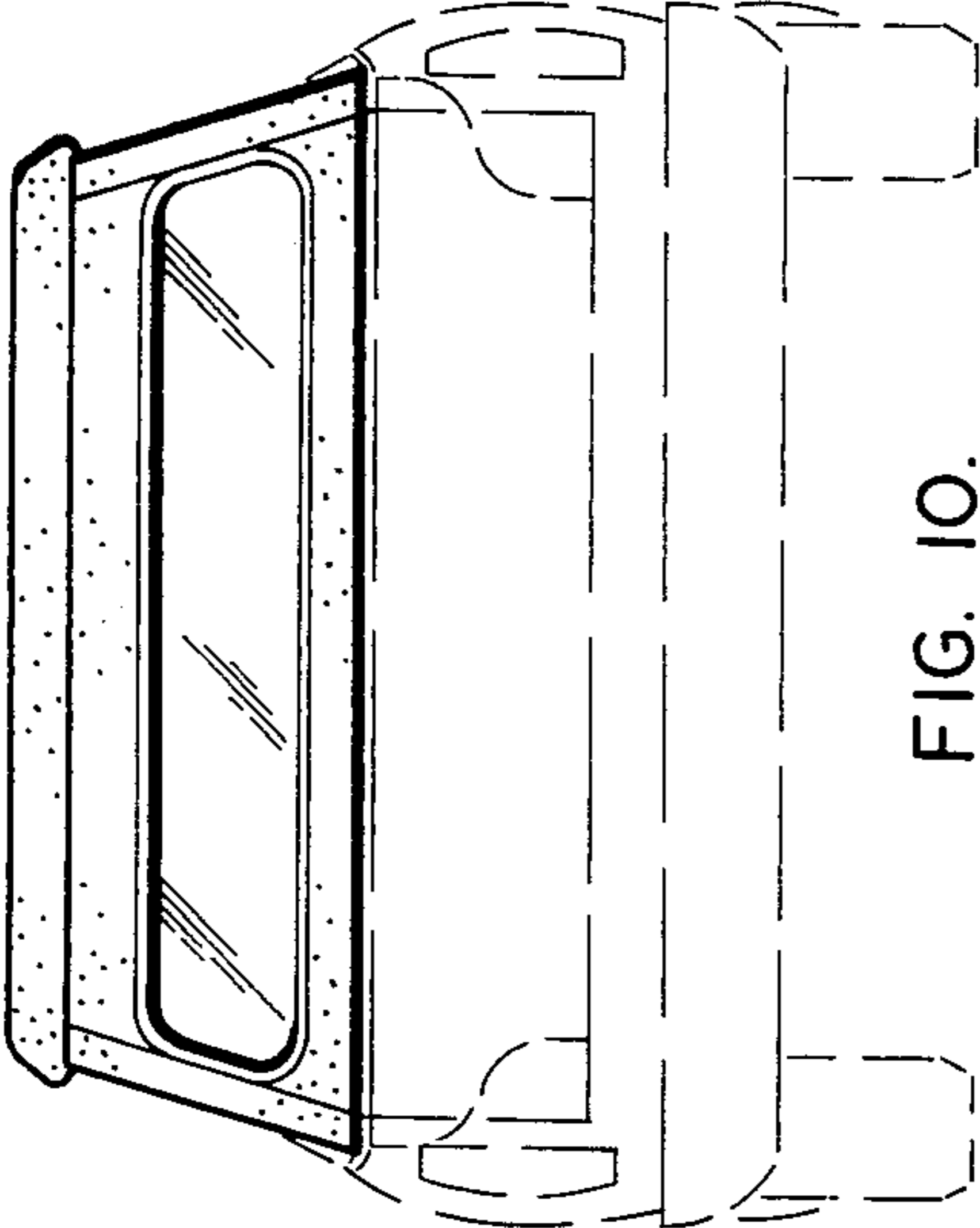


FIG. 10.

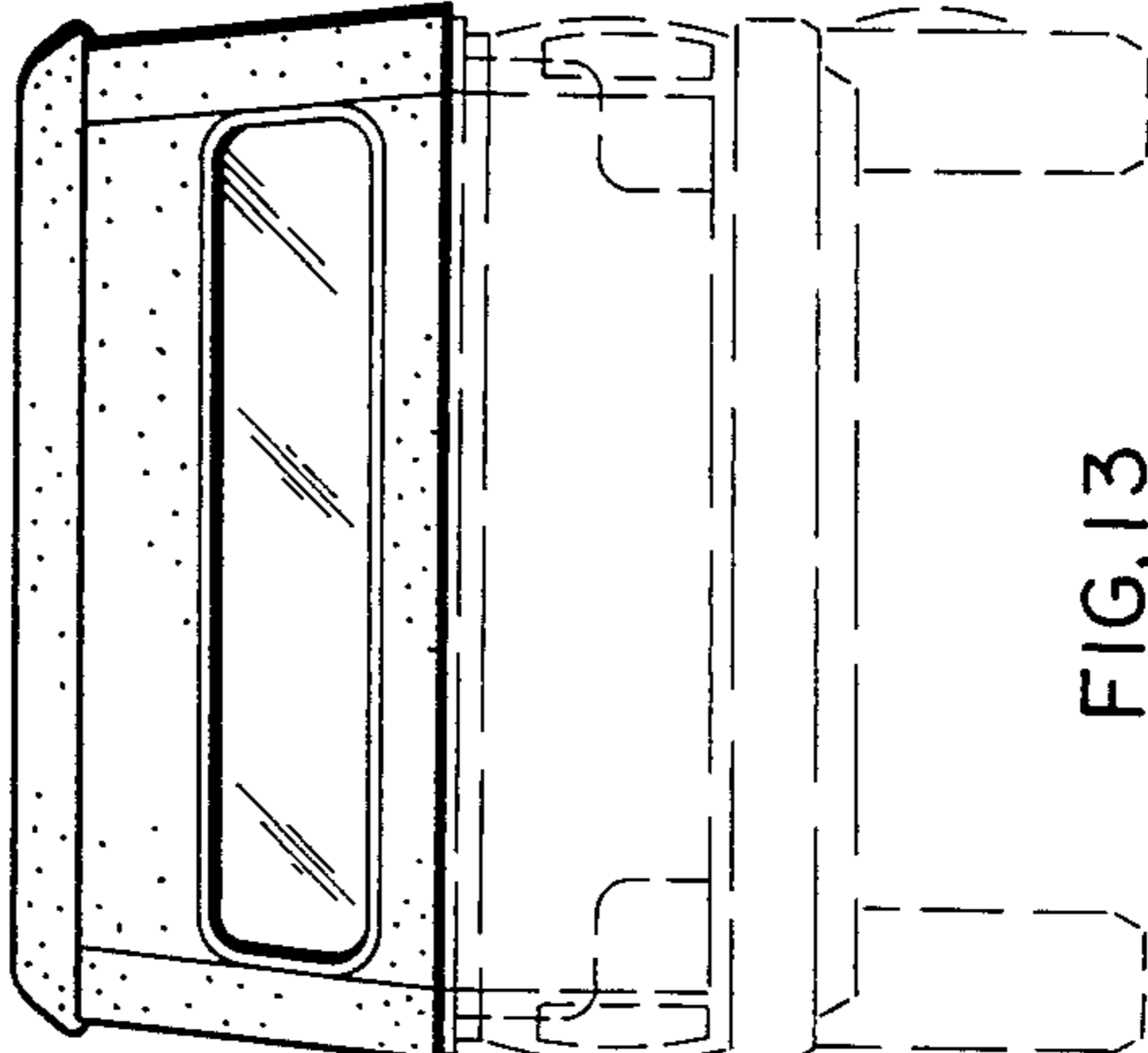


FIG. 13

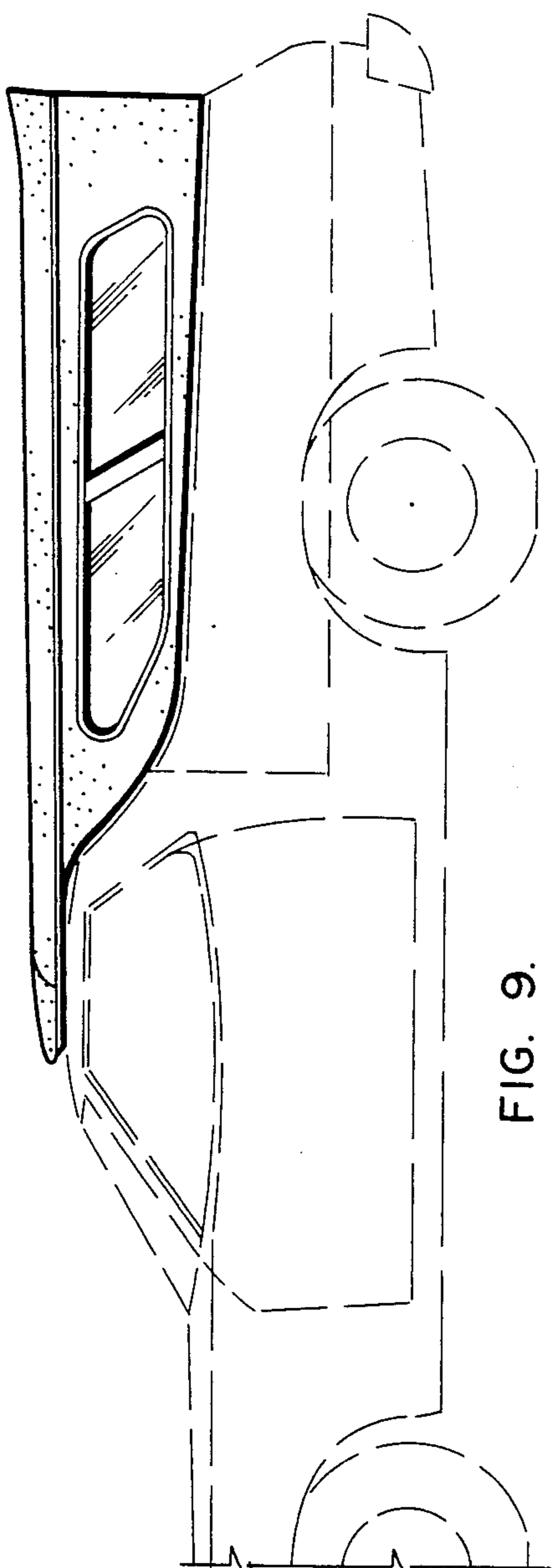


FIG. 9.

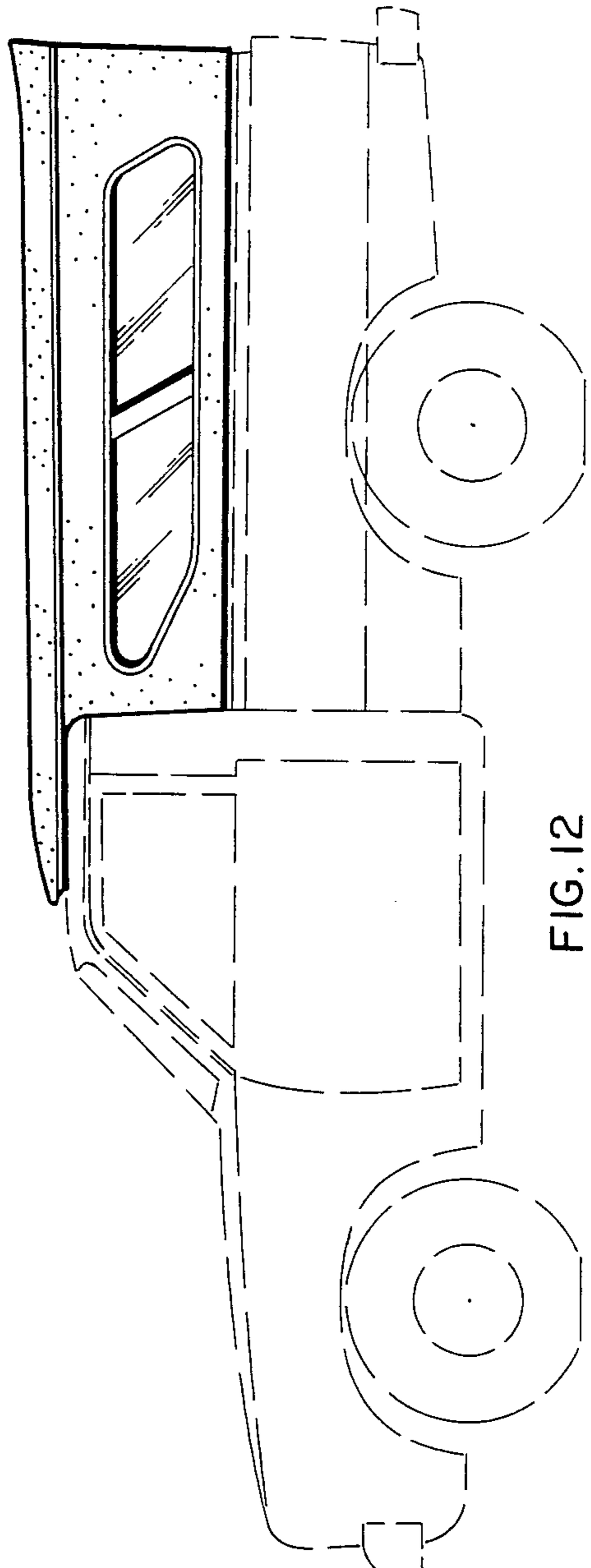


FIG. 12

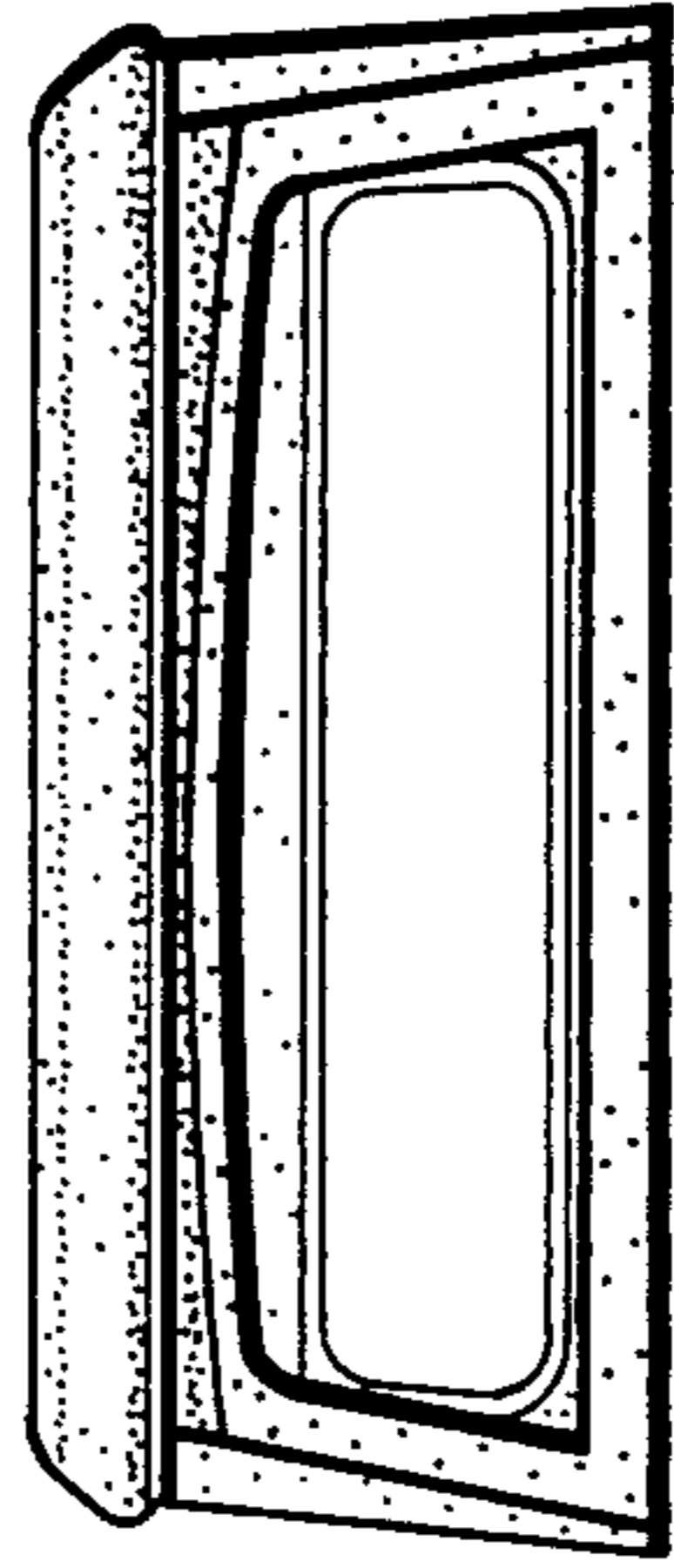


FIG. 14



FIG. 11

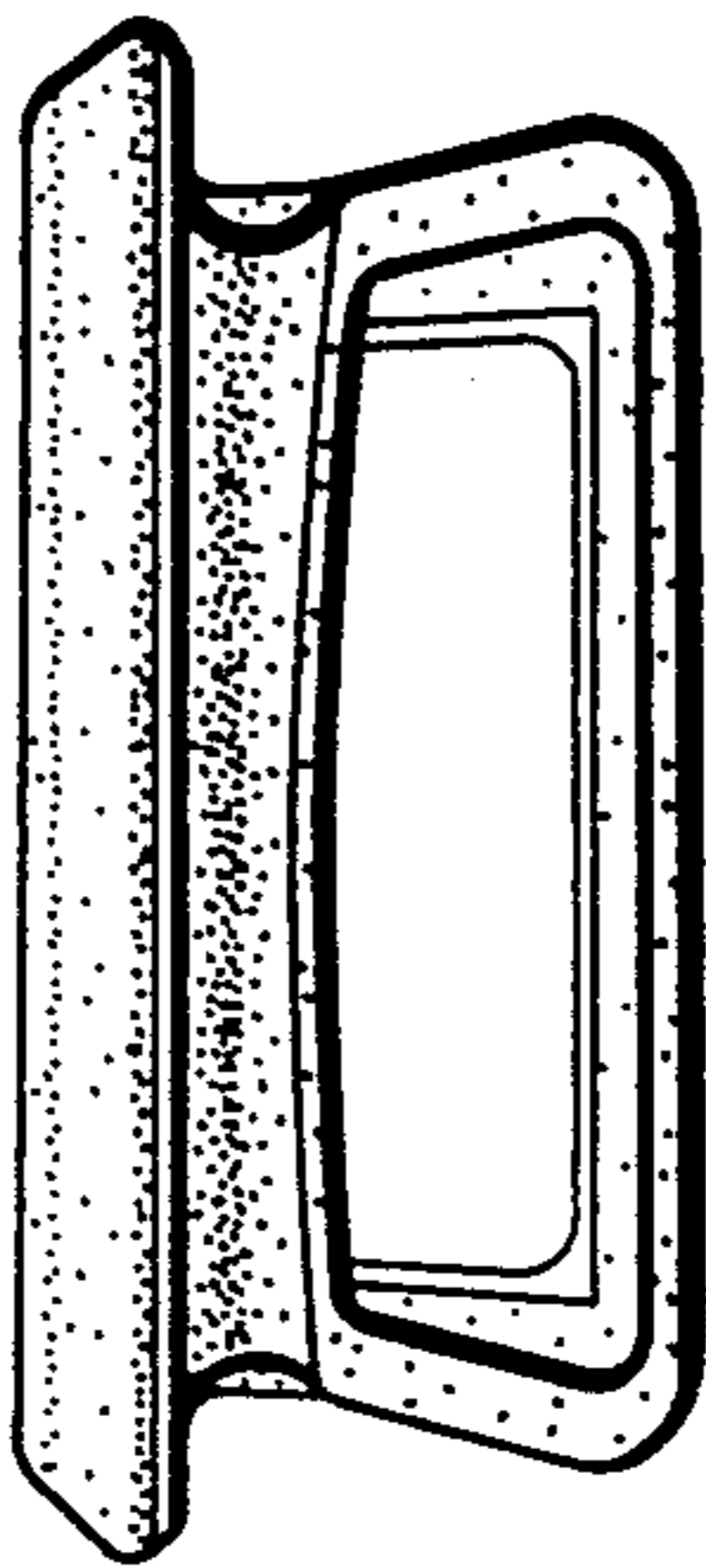


FIG. 8