

[54] MOISTURE MEASURING DEVICE

3,903,744 9/1975 Cone ..... 73/362 AR

[75] Inventor: Edwin L. Schwartz, Los Angeles, Calif.

[73] Assignee: Rite Autotronics Corporation, Los Angeles, Calif.

[\*\*] Term: 14 Years

[21] Appl. No.: 638,681

[22] Filed: Dec. 8, 1975

Related U.S. Application Data

[63] Continuation-in-part of Ser. No. 624,304, Oct. 20, 1975.

[51] Int. Cl. .... D10-04

[52] U.S. Cl. .... D10/56

[58] Field of Search ..... D10/56, 101 X, 46, 60, D10/102-103, 75, 78; 116/118 A; 73/73, 335, 336, 336.5, 339 C

[56] References Cited

U.S. PATENT DOCUMENTS

D. 176,833	1/1956	Wallace	.....	D10/102
D. 190,096	4/1961	Wayne	.....	D10/56
2,918,815	12/1959	Lewis	.....	73/73
2,929,241	3/1960	Gebhart	.....	73/73

OTHER PUBLICATIONS

House and Garden, 11/74, p. 156—"Plantstalk" at center.

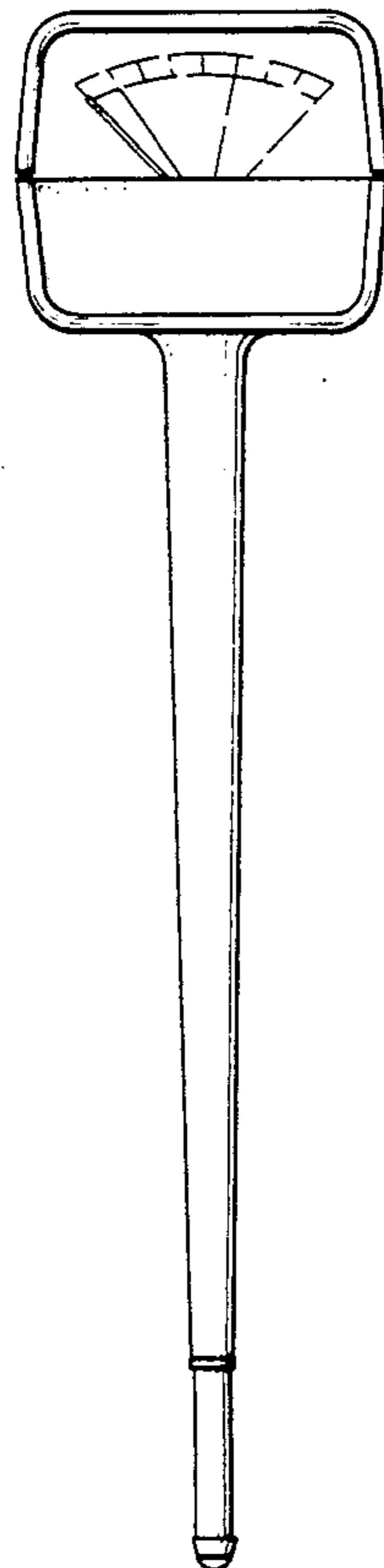
Primary Examiner—Nelson C. Holtje  
Attorney, Agent, or Firm—Robert E. Geauque

[57] CLAIM

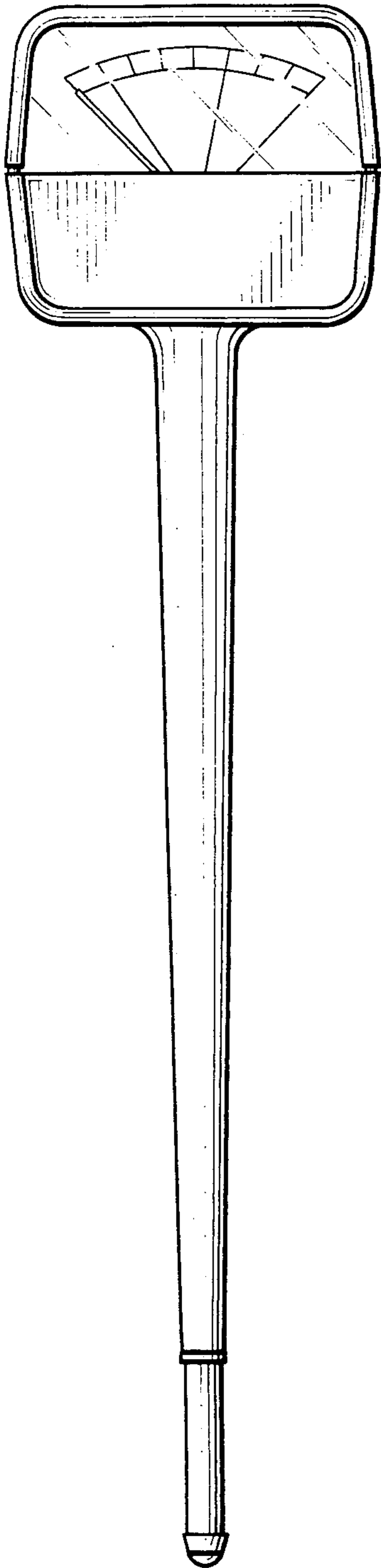
The ornamental design for a moisture measuring device, substantially as shown and described.

DESCRIPTION

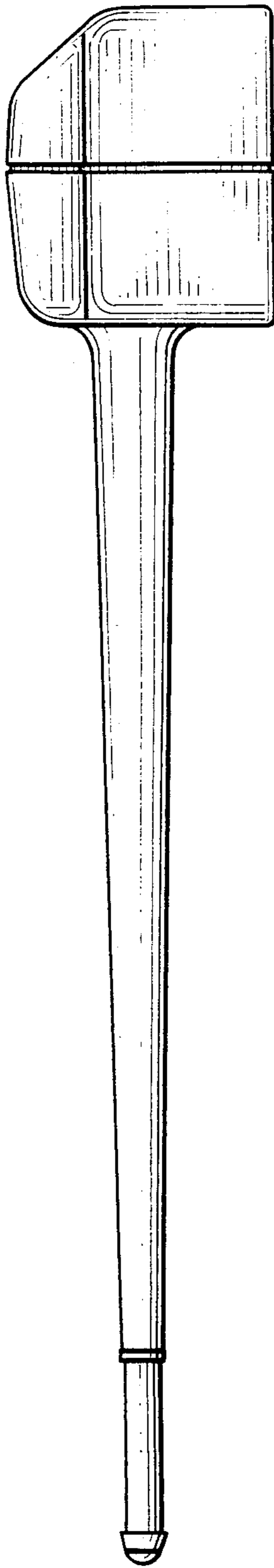
FIG. 1 is a front elevational view of a moisture measuring device showing my new design;  
 FIG. 2 is a side elevational view from the left side of FIG. 1, the right side being a mirror image thereto;  
 FIG. 3 is a rear elevational view thereof;  
 FIG. 4 is a top plan view thereof;  
 FIG. 5 is a bottom plan view thereof;  
 FIG. 6 is a front elevational view of another embodiment of my new design of FIG. 1;  
 FIG. 7 is a left side elevational view of FIG. 6, the right side being a mirror image thereto;  
 FIG. 8 is rear elevational view of FIG. 6;  
 FIG. 9 is a top plan view of FIG. 6; and  
 FIG. 10 is a bottom plan view of FIG. 6.



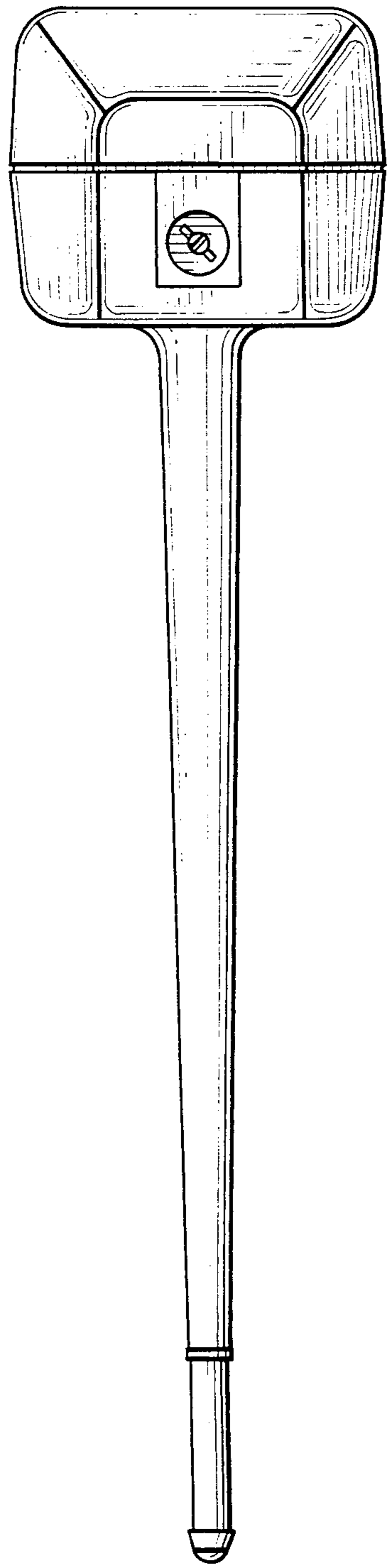
*Fig. 1.*



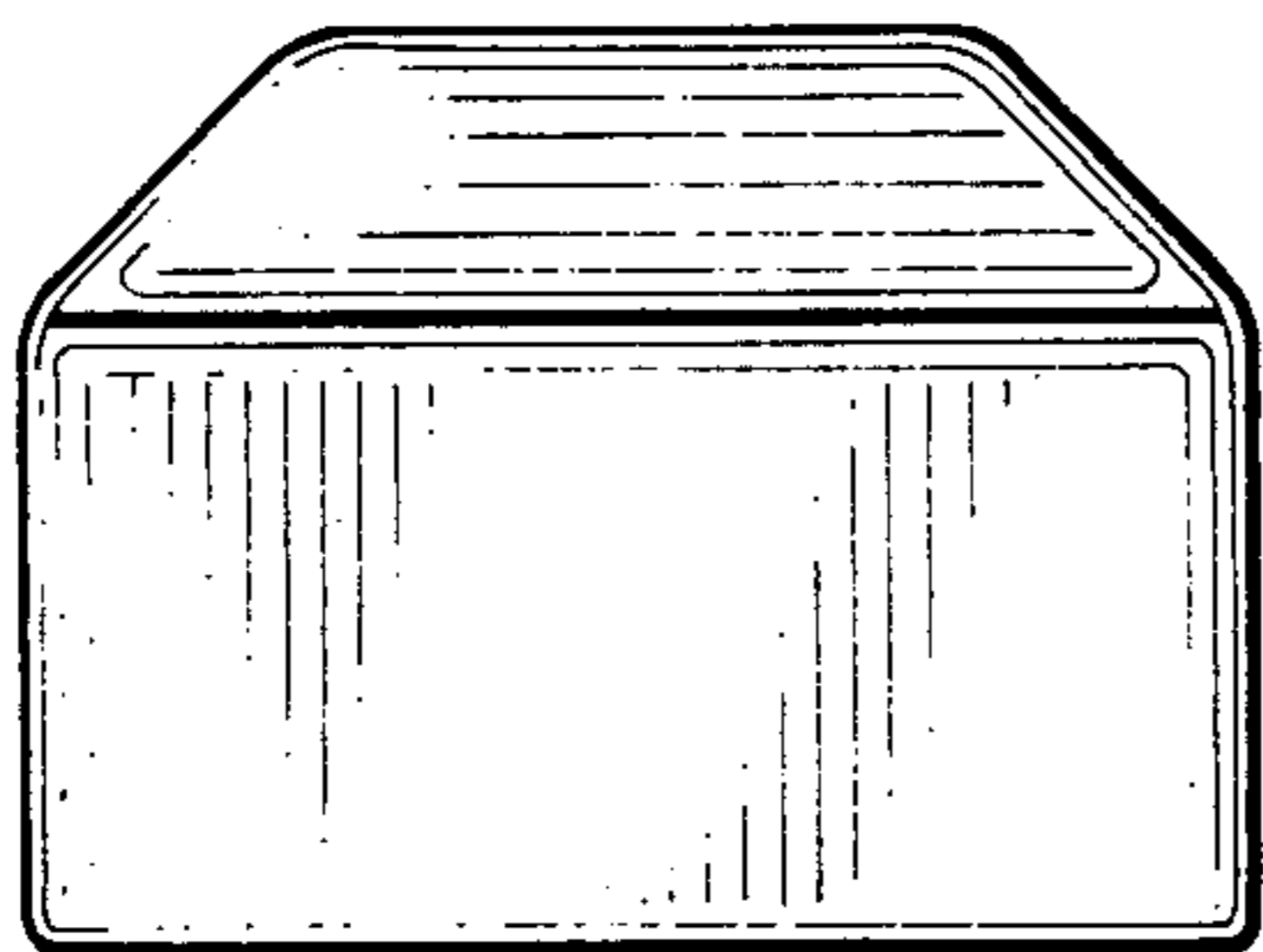
*Fig. 2.*



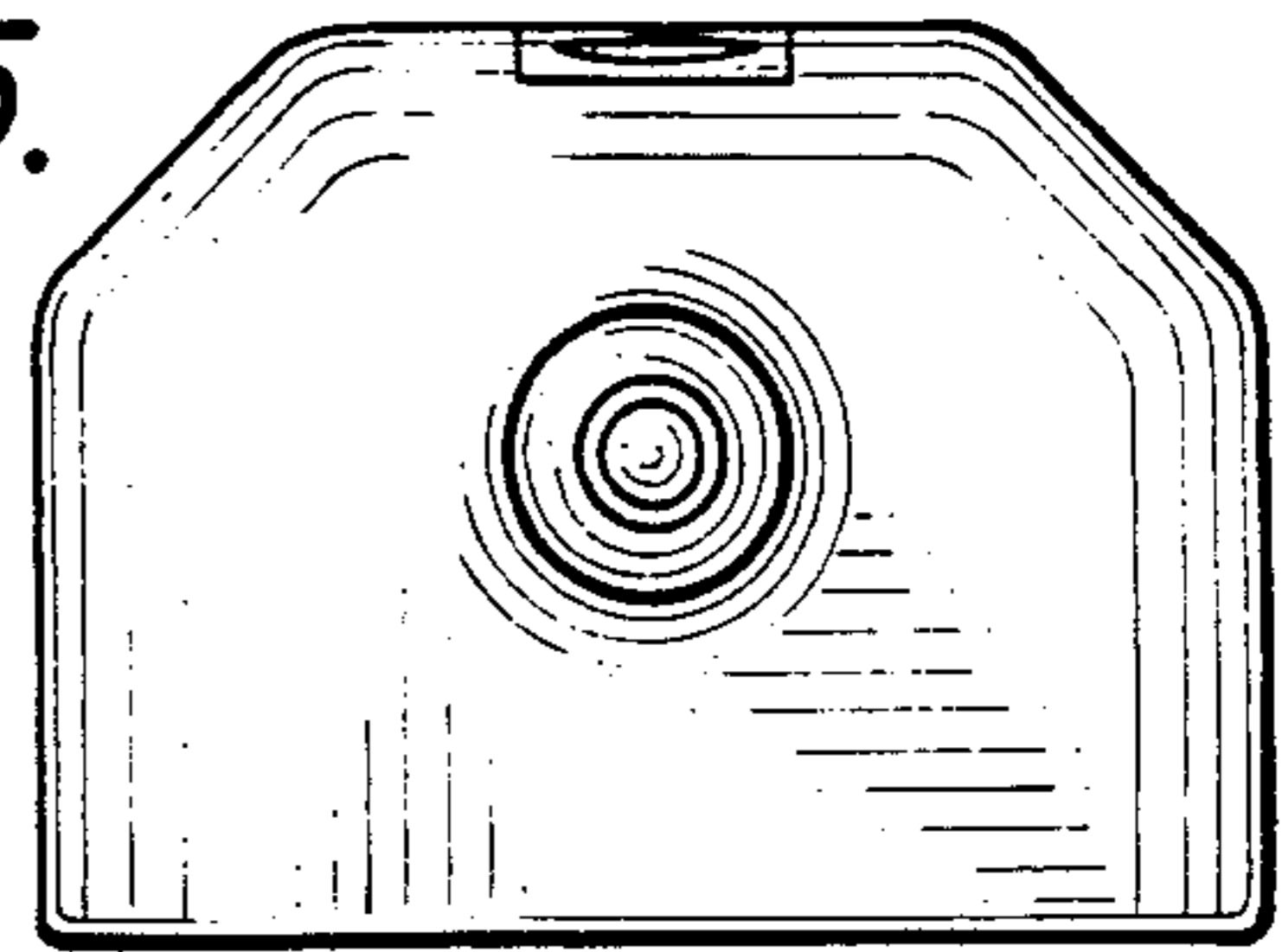
*Fig. 3.*

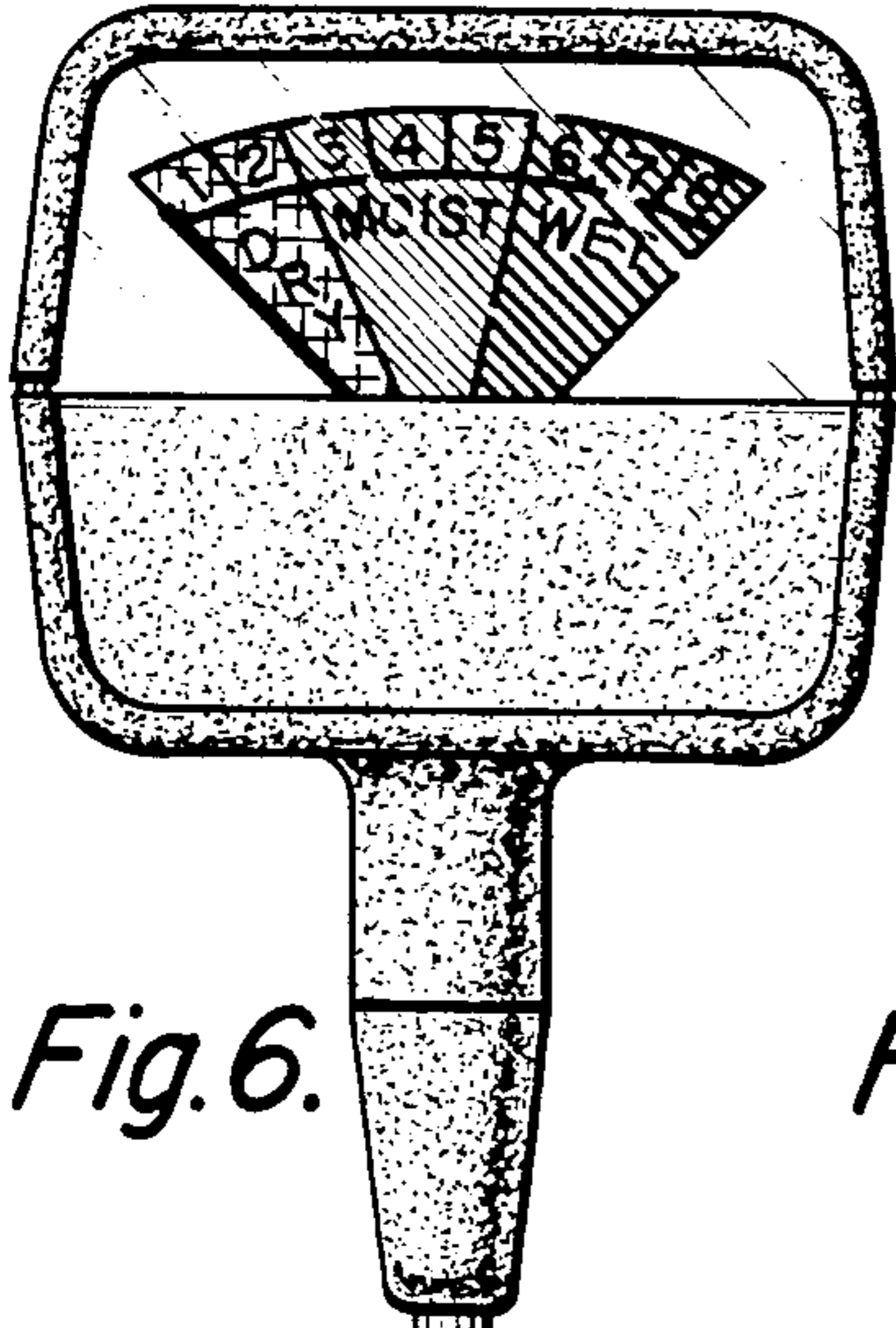


*Fig. 4.*

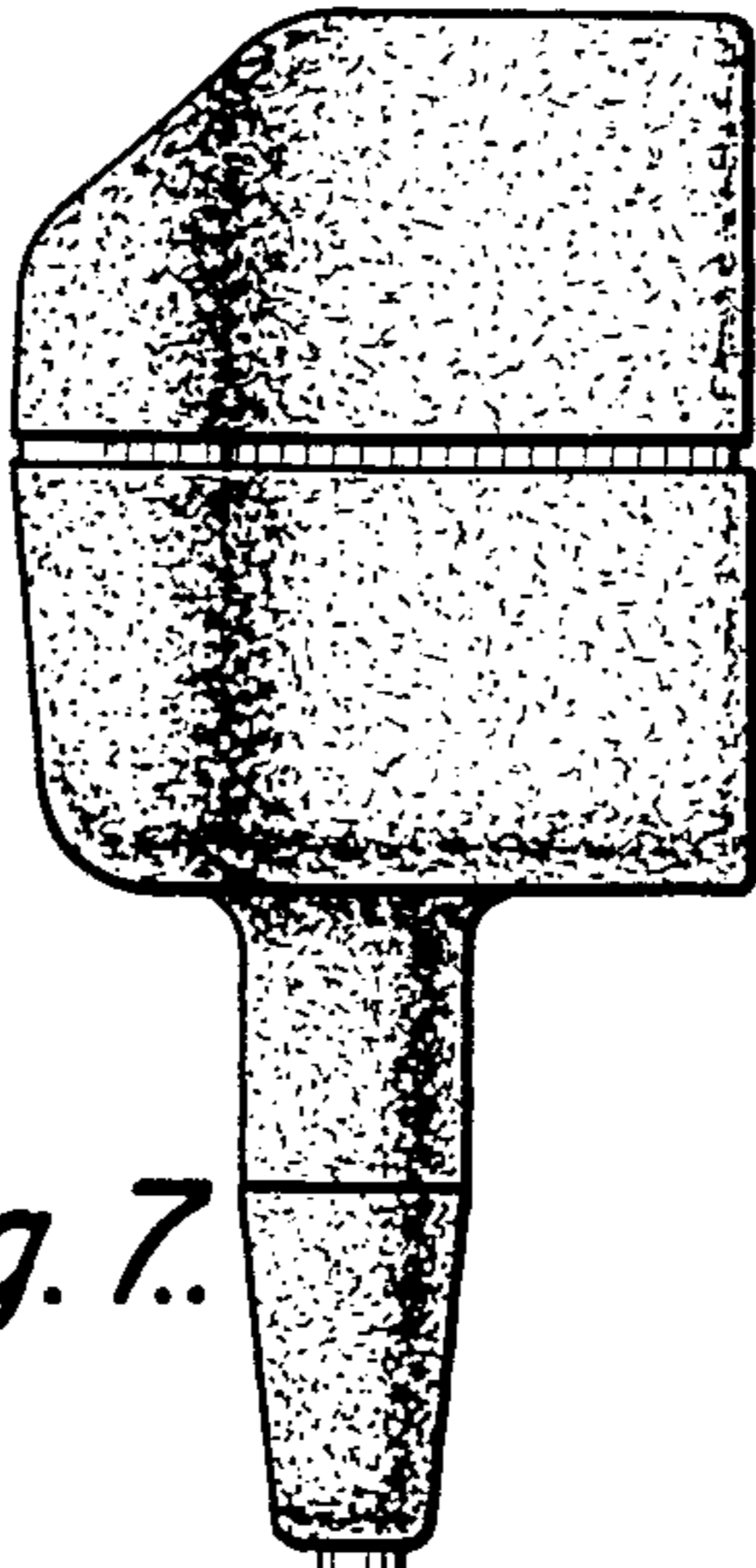


*Fig. 5.*

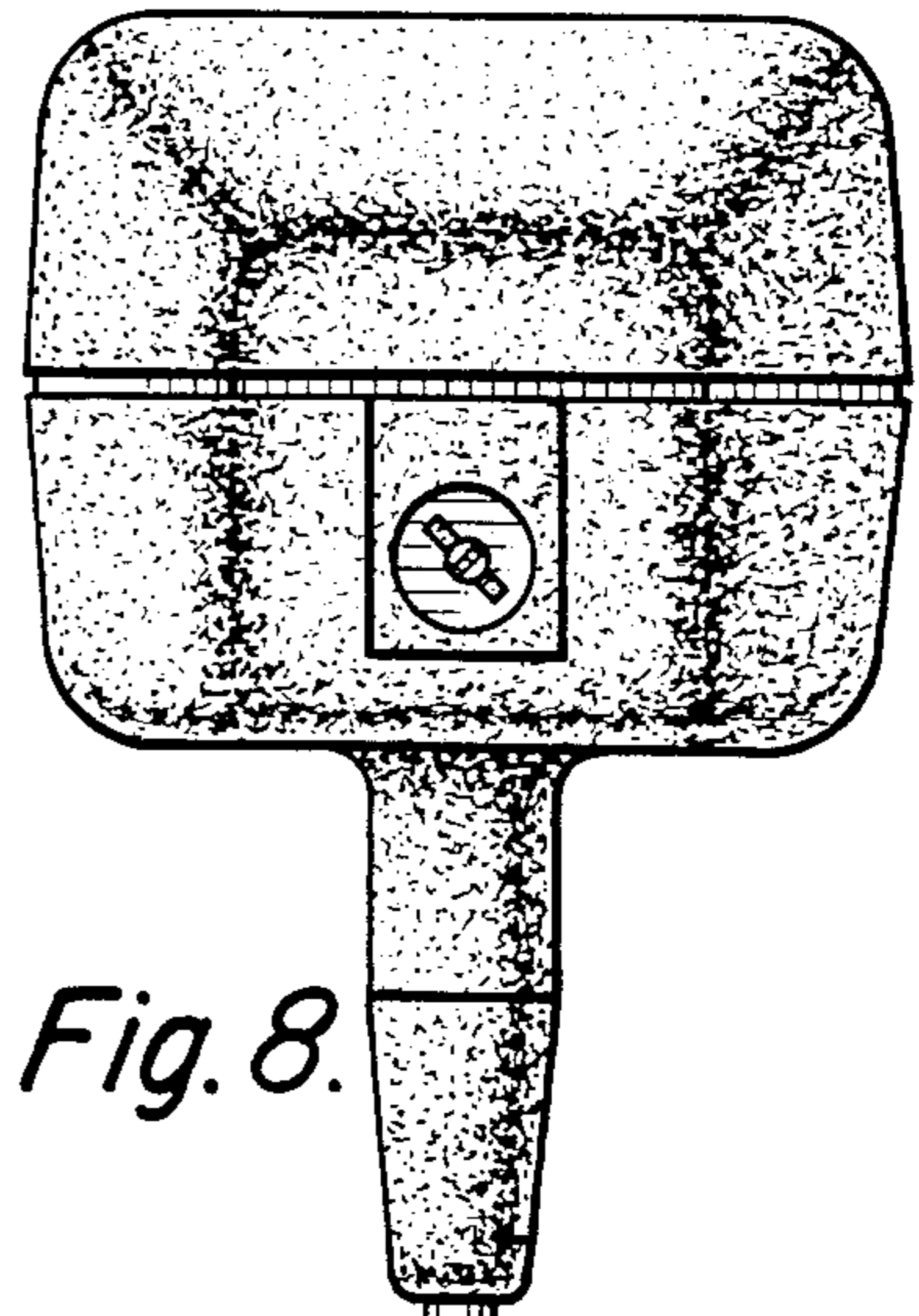




*Fig. 6.*

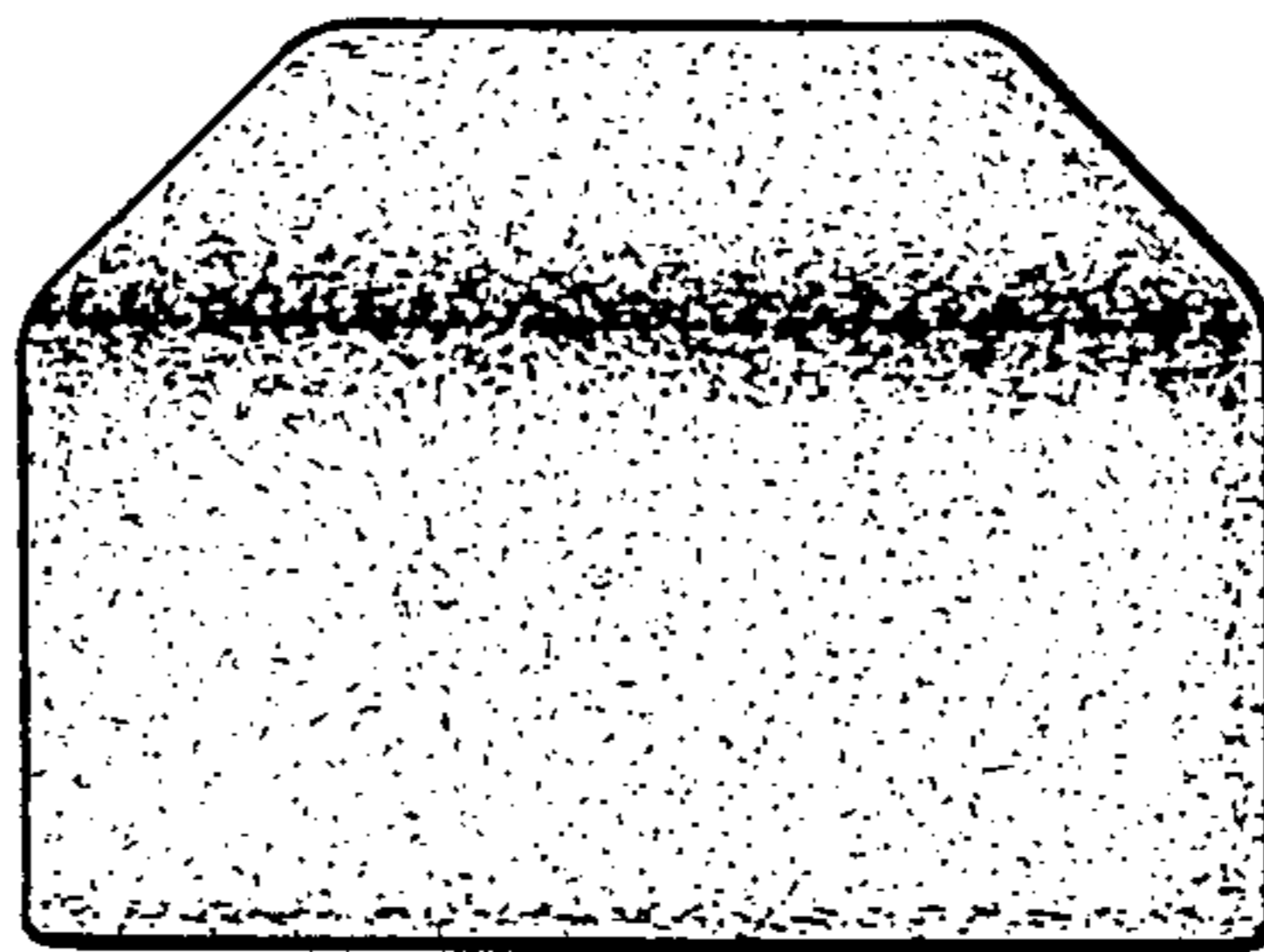


*Fig. 7.*



*Fig. 8.*

*Fig. 9.*



*Fig. 10.*

