

[54] **COMBINED GREEN BEAN AND PEA SHELLER AND GREEN BEAN SHREDDER**

[75] Inventor: **Charles E. Bottcher**, Oneonta, Ala.

[73] Assignee: **J. B. Esslinger**, Oneonta, Ala. ; a part interest

[**] Term: **14 Years**

[21] Appl. No.: **668,658**

[22] Filed: **Mar. 19, 1976**

[51] Int. Cl. **D7-04**

[52] U.S. Cl. **D7/153; D7/47; D15/95**

[58] Field of Search **D7/47, 99, 106, 147, D7/153; 99/633; 130/30 F, 30 G; 83/700; D15/95, 96, 97**

[56] **References Cited**

U.S. PATENT DOCUMENTS

| | | | |
|------------|---------|--------------------|----------|
| 35,839 | 7/1862 | Robertson | D15/95 X |
| 50,278 | 10/1865 | Sanford | 130/30 G |
| D. 148,703 | 2/1948 | Ingram et al. | D7/153 |
| D. 156,836 | 1/1950 | McVicker | D7/153 |
| D. 167,270 | 7/1952 | Marcus | D7/47 |

| | | | |
|------------|---------|-----------------|----------|
| D. 243,818 | 3/1977 | Bottcher | D7/153 |
| 1,086,654 | 2/1914 | De Line | D15/95 X |
| 2,478,449 | 8/1949 | Baer | D7/47 X |
| 2,501,076 | 3/1950 | Morris | 83/700 |
| 3,578,048 | 5/1971 | Von Duyke | D7/153 X |
| 3,853,048 | 12/1974 | Collins | D7/153 X |

Primary Examiner—Winifred E. Herrmann
Attorney, Agent, or Firm—Woodford R. Thompson, Jr.

[57] **CLAIM**

The ornamental design for a combined green bean and pea sheller and green bean shredder, as shown and described.

DESCRIPTION

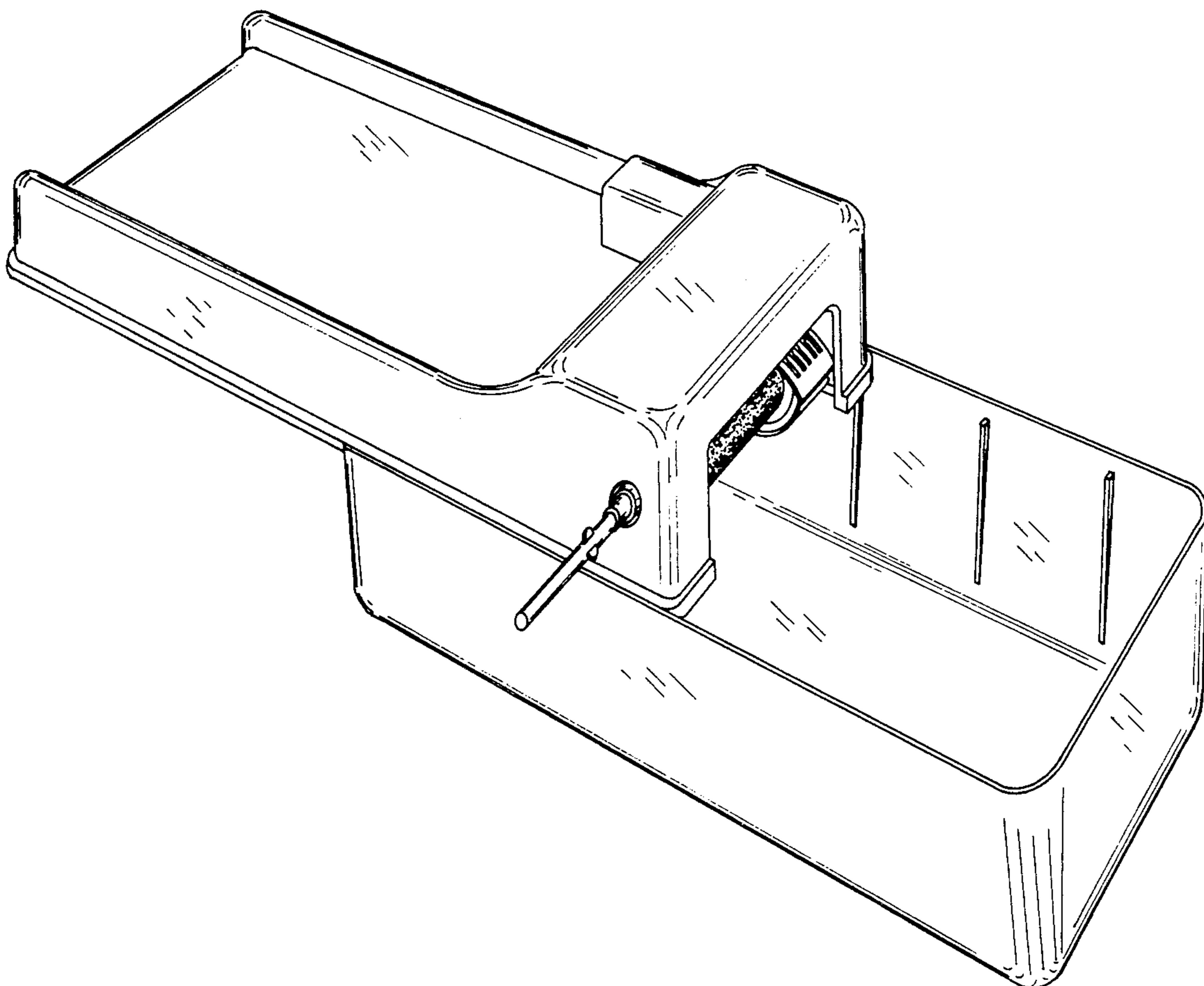
FIG. 1 is a perspective view of a combined green bean and pea sheller and green bean shredder showing my new design, the side not shown being identical to the side shown with the exception of the laterally projecting power input shaft;

FIG. 2 is an end elevational view as viewed from the right side of FIG. 1;

FIG. 3 is an end elevational view as viewed from the left side of FIG. 1; and,

FIG. 4 is a top plan view thereof.

The bottom of the design is plain and unornamented.



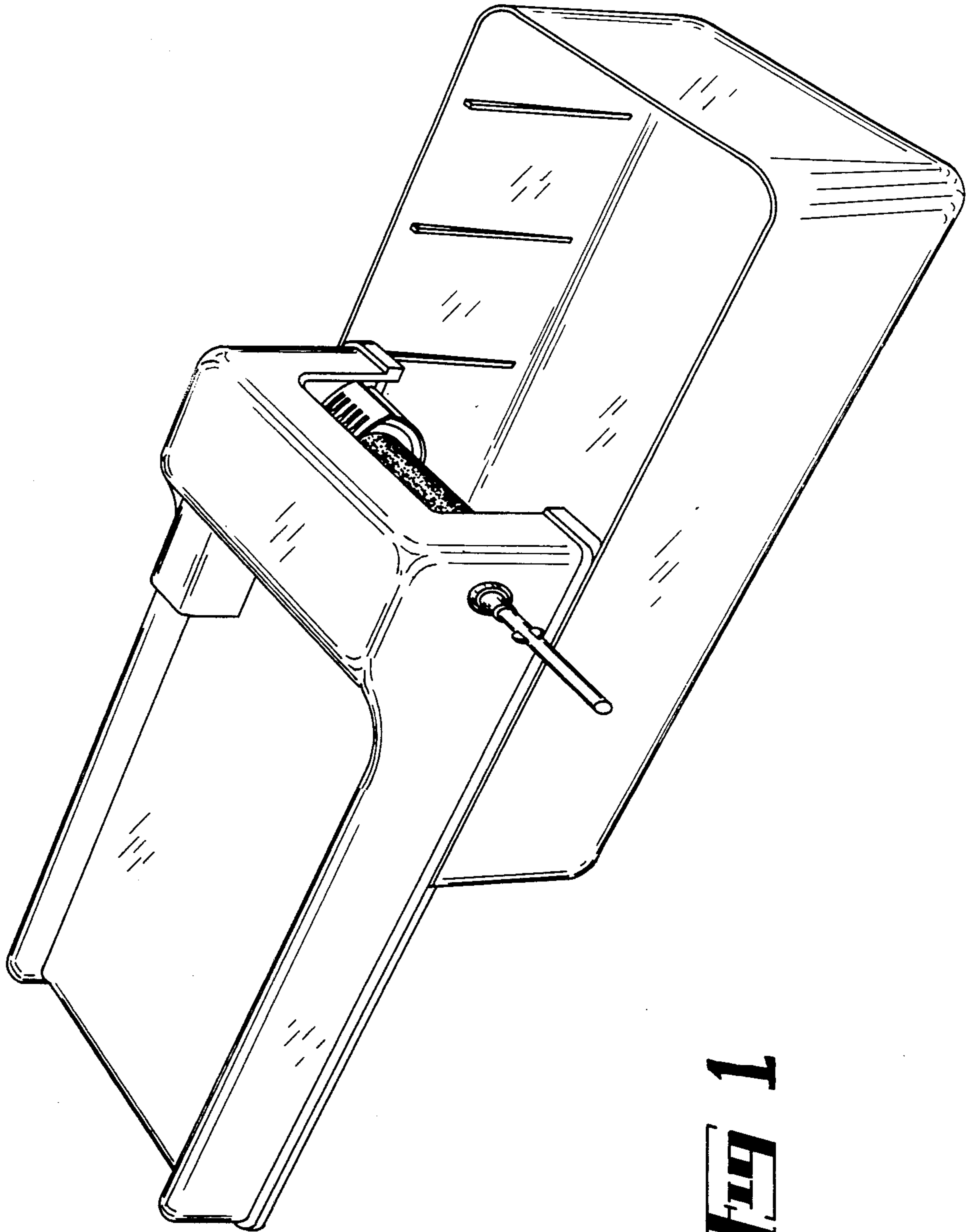


FIG 1

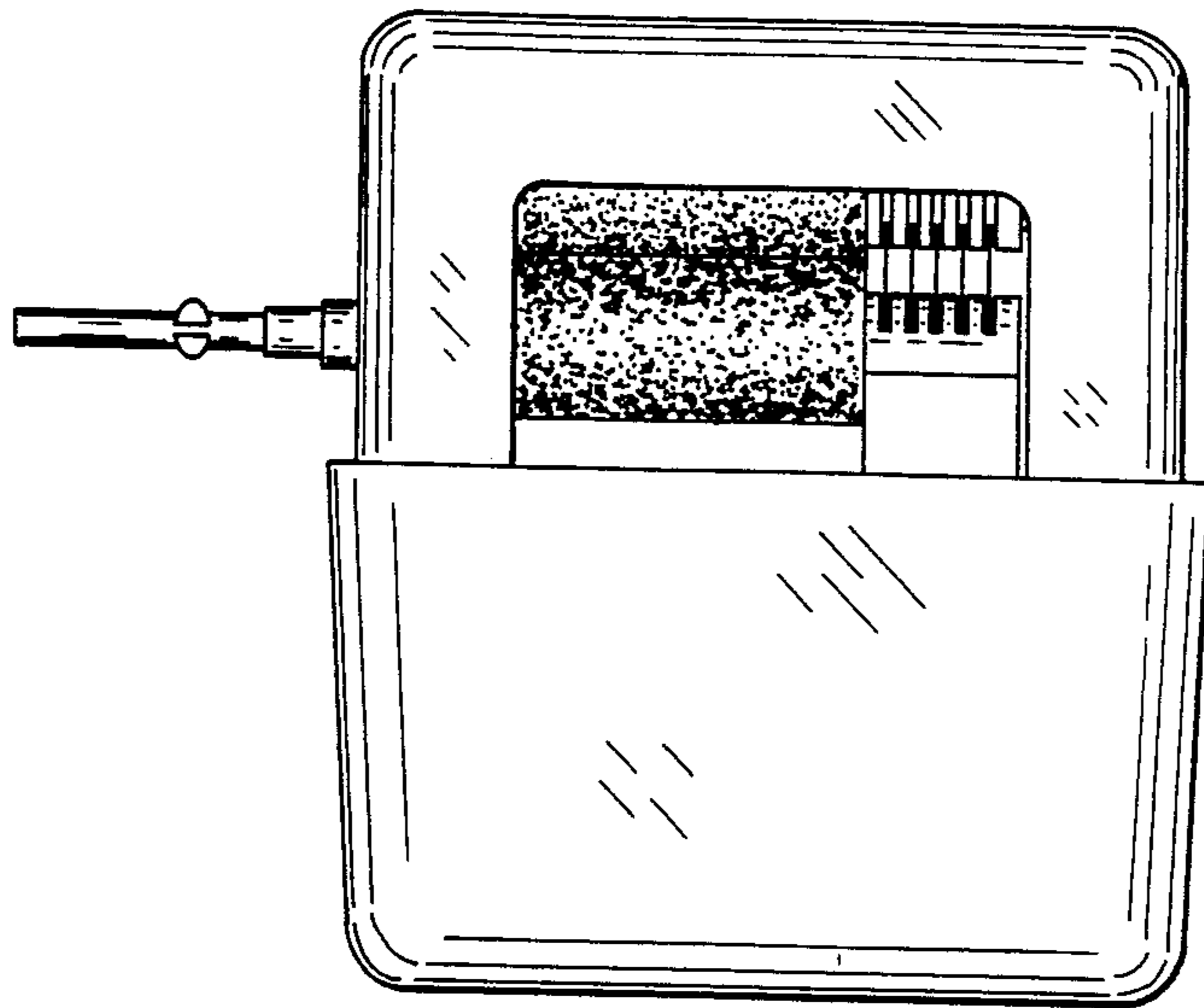


Fig 2

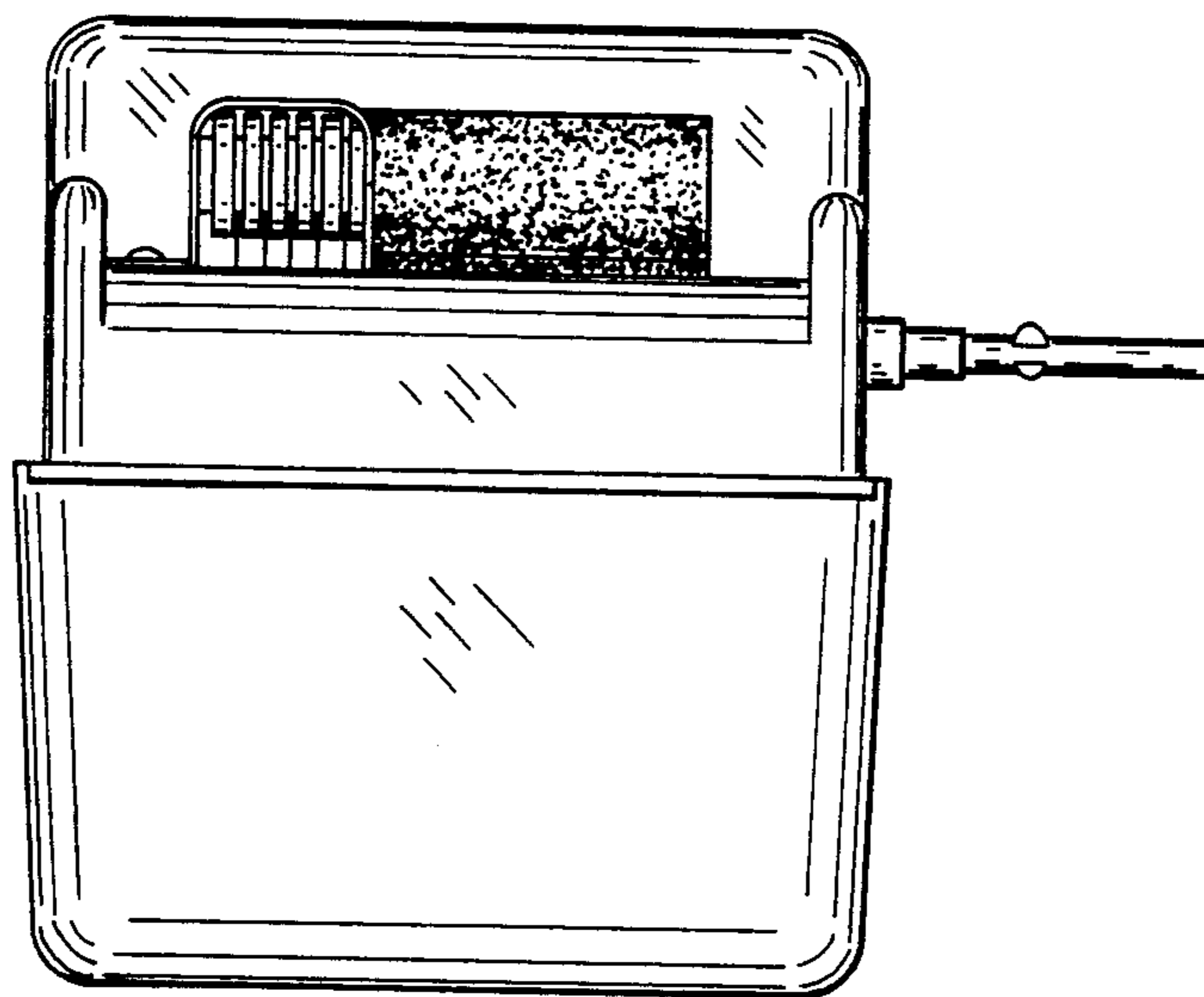


Fig 3

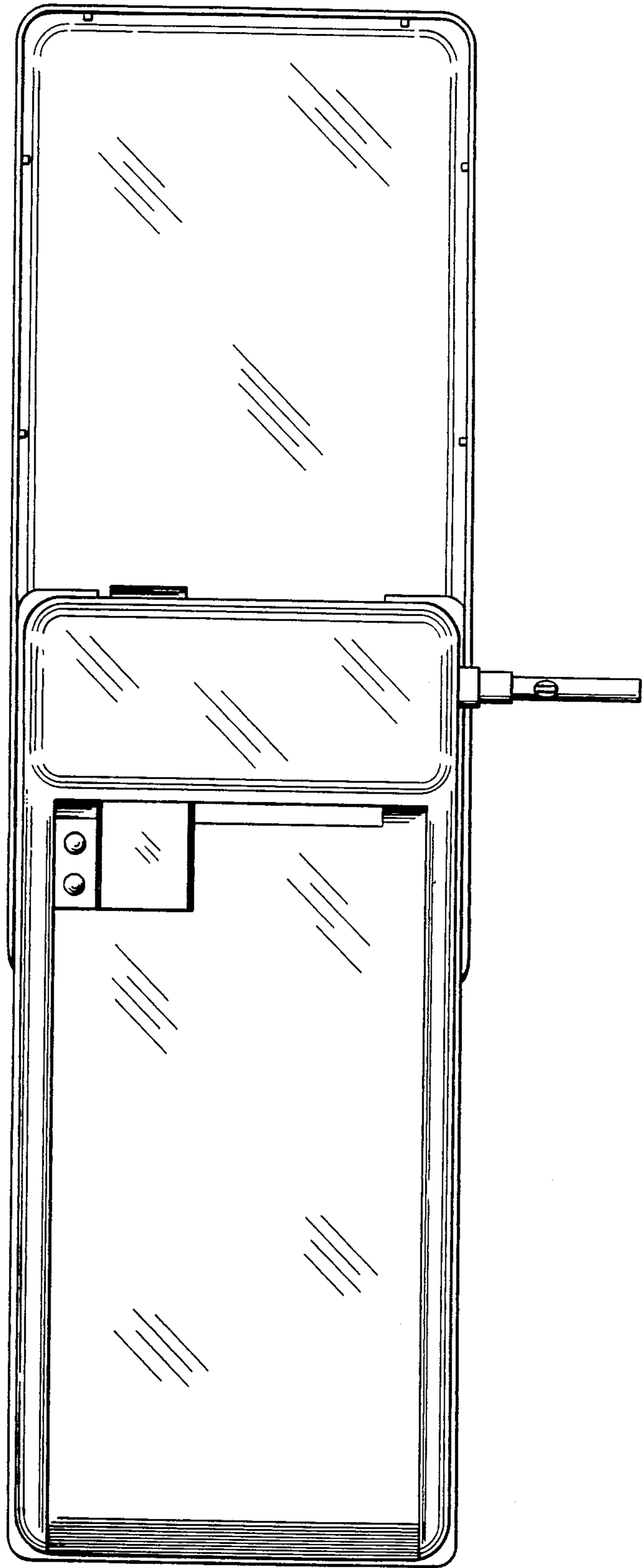


Fig 4