

[54] **MACARONI**

[76] Inventor: **Rino Gnesi**, 38 Case Dr., Revere, Mass. 02151

[**] Term: **14 Years**

[21] Appl. No.: **651,632**

[22] Filed: **Jan. 23, 1976**

[51] Int. Cl. **D1-01**

[52] U.S. Cl. **D1/15**

[58] Field of Search 426/87, 146, 158; D1/1-99

[56] **References Cited**

U.S. PATENT DOCUMENTS

- D. 24,247 4/1895 Wanklin D1/15
- D. 25,243 3/1896 Casselberry D1/15

- D. 184,808 4/1959 Fischett D1/16 X
- D. 189,660 1/1961 Vermylen D1/15
- D. 191,864 12/1961 Lancellotti D1/13

Primary Examiner—Robert C. Spangler
Attorney, Agent, or Firm—William Nitkin

[57] **CLAIM**

The ornamental design for a macaroni, as shown.

DESCRIPTION

FIG. 1 is a top plan view of a macaroni showing my new design.

FIG. 2 is a side elevational view.

FIG. 3 is a front elevational view.

FIG. 4 is an elevational view showing the side opposite that seen in FIG. 2.

FIG. 5 is a bottom plan view.

FIG. 6 is a rear elevational view; and

FIG. 7 is a front perspective view thereof.

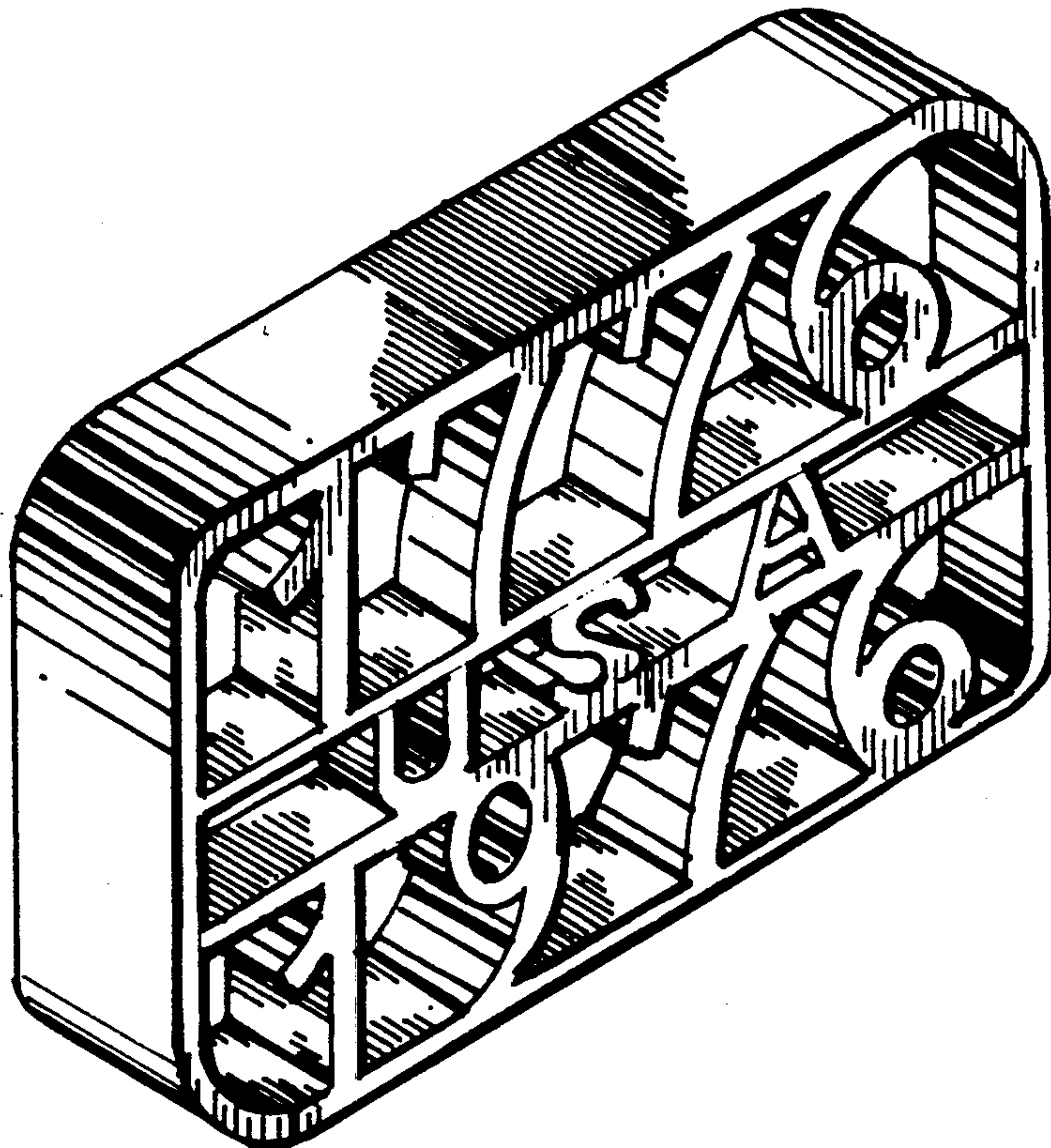




FIG. 1

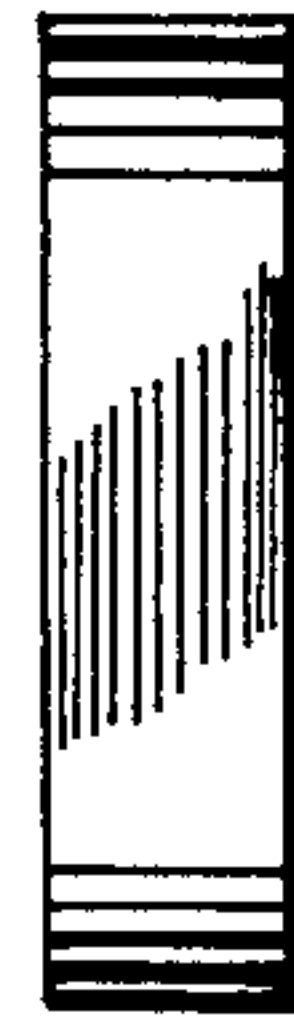


FIG. 2

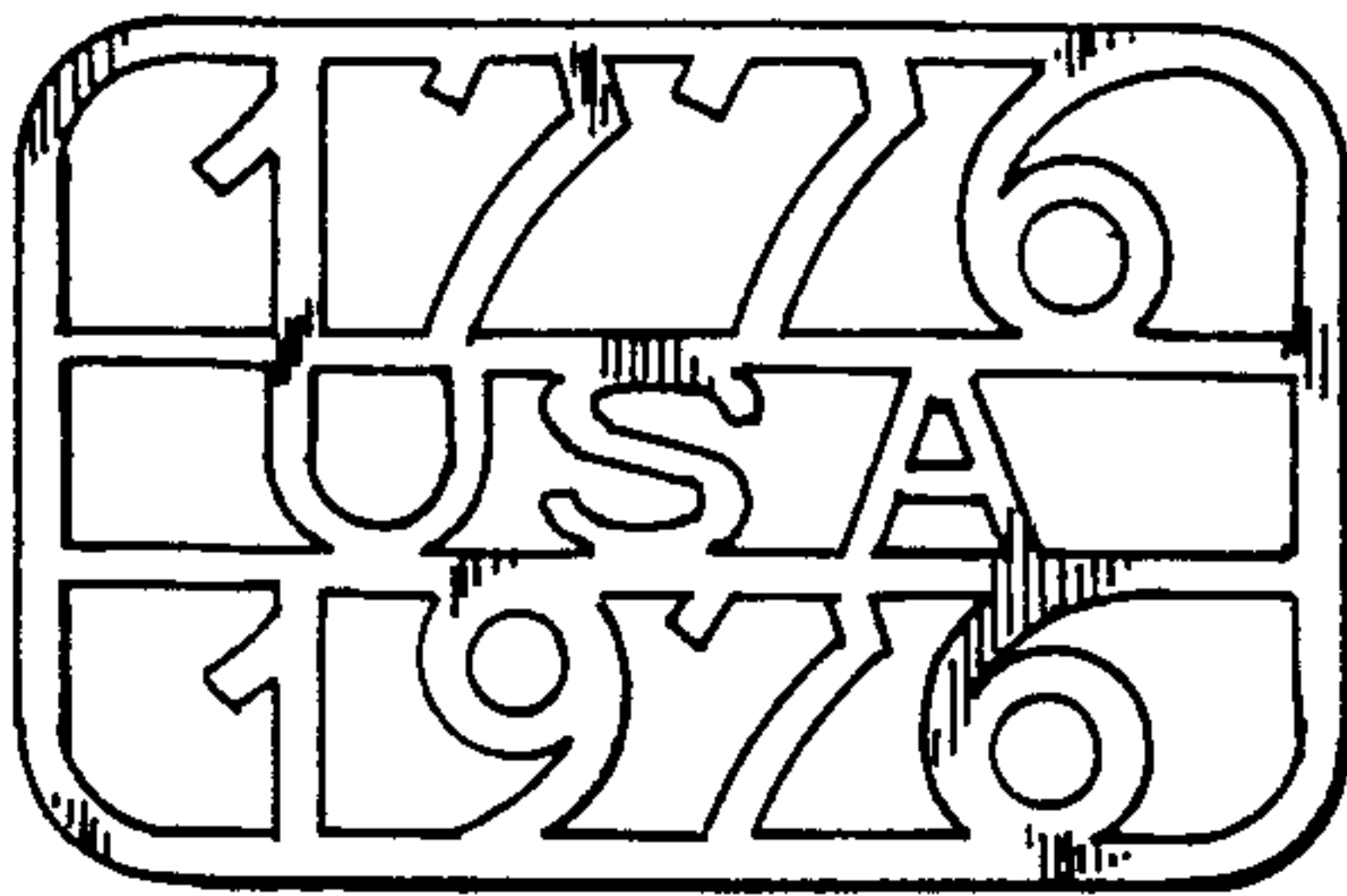


FIG. 3



FIG. 4



FIG. 5

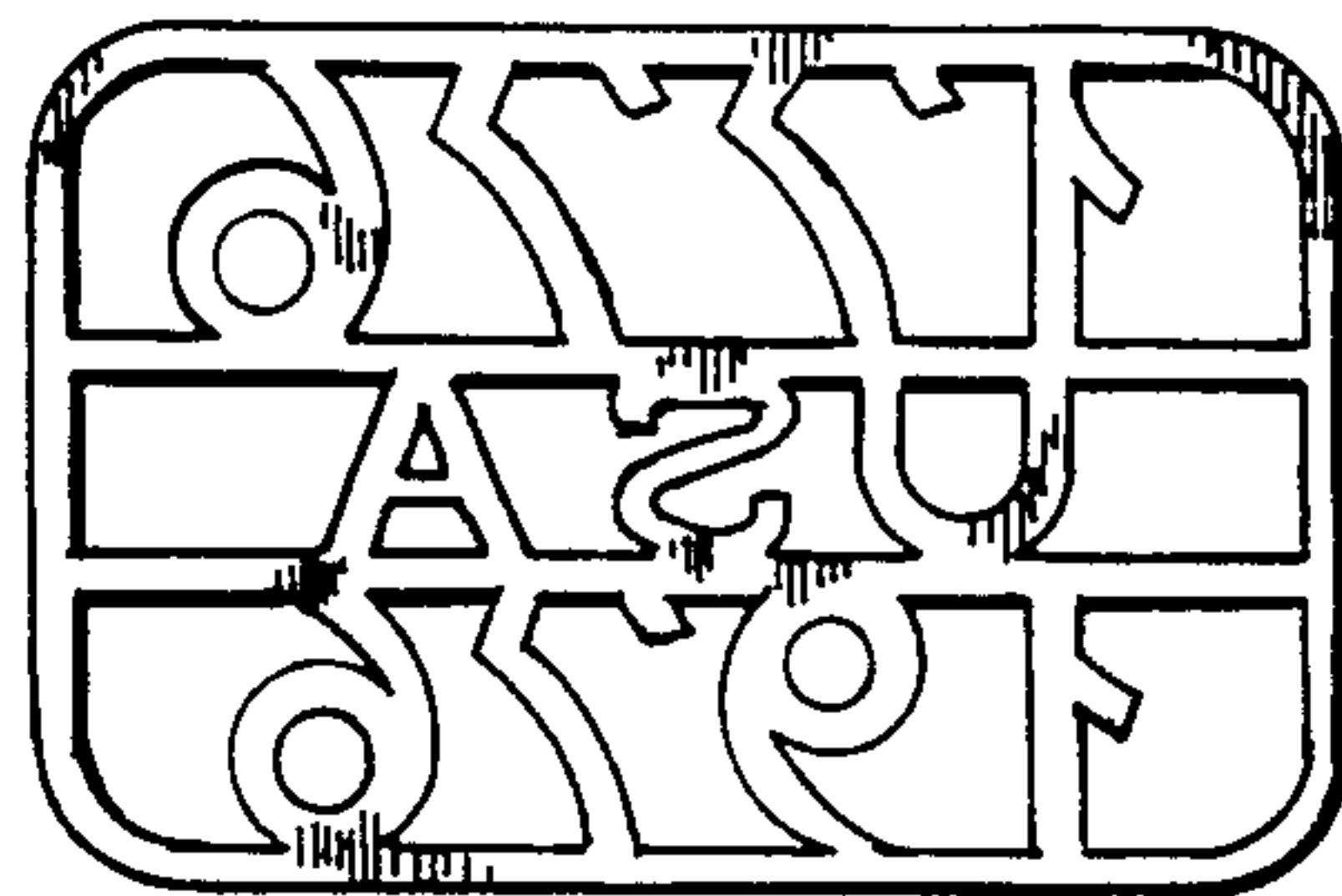


FIG. 6

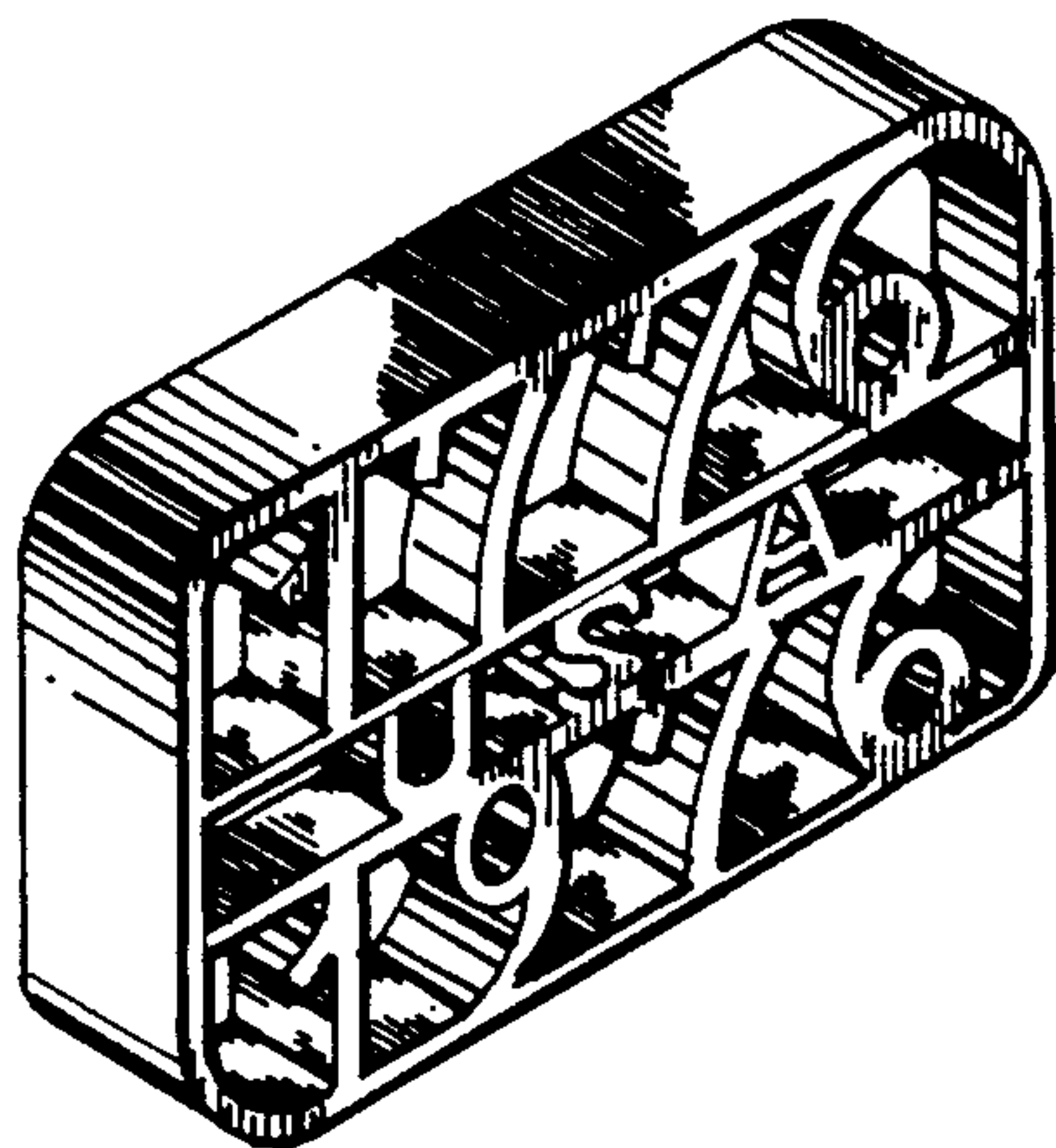


FIG. 7