

[54] LUMINAIRE  
[75] Inventor: Craig LeVasseur, Calabasas, Calif.

[73] Assignee: Berkey-Colortran, Inc, Burbank, Calif.

[\*\*] Term: 14 Years

[21] Appl. No.: 742,894

[22] Filed: Nov. 18, 1976

[51] Int. Cl. .... D26-03

[52] U.S. Cl. .... D48/20 K

[58] Field of Search ..... D48/20 K; 240/3 R, 25, 240/41 R, 41.55

[56] References Cited

U.S. PATENT DOCUMENTS

D. 93,934 11/1934 Levy ..... D48/20 K

2,650,292 8/1953 Strong ..... 240/3

FOREIGN PATENT DOCUMENTS

2,263,688 7/1974 Germany ..... 240/3

477,755 2/1953 Italy ..... 240/41 R

Primary Examiner—Susan J. Lucas  
Attorney, Agent, or Firm—Fred Flam

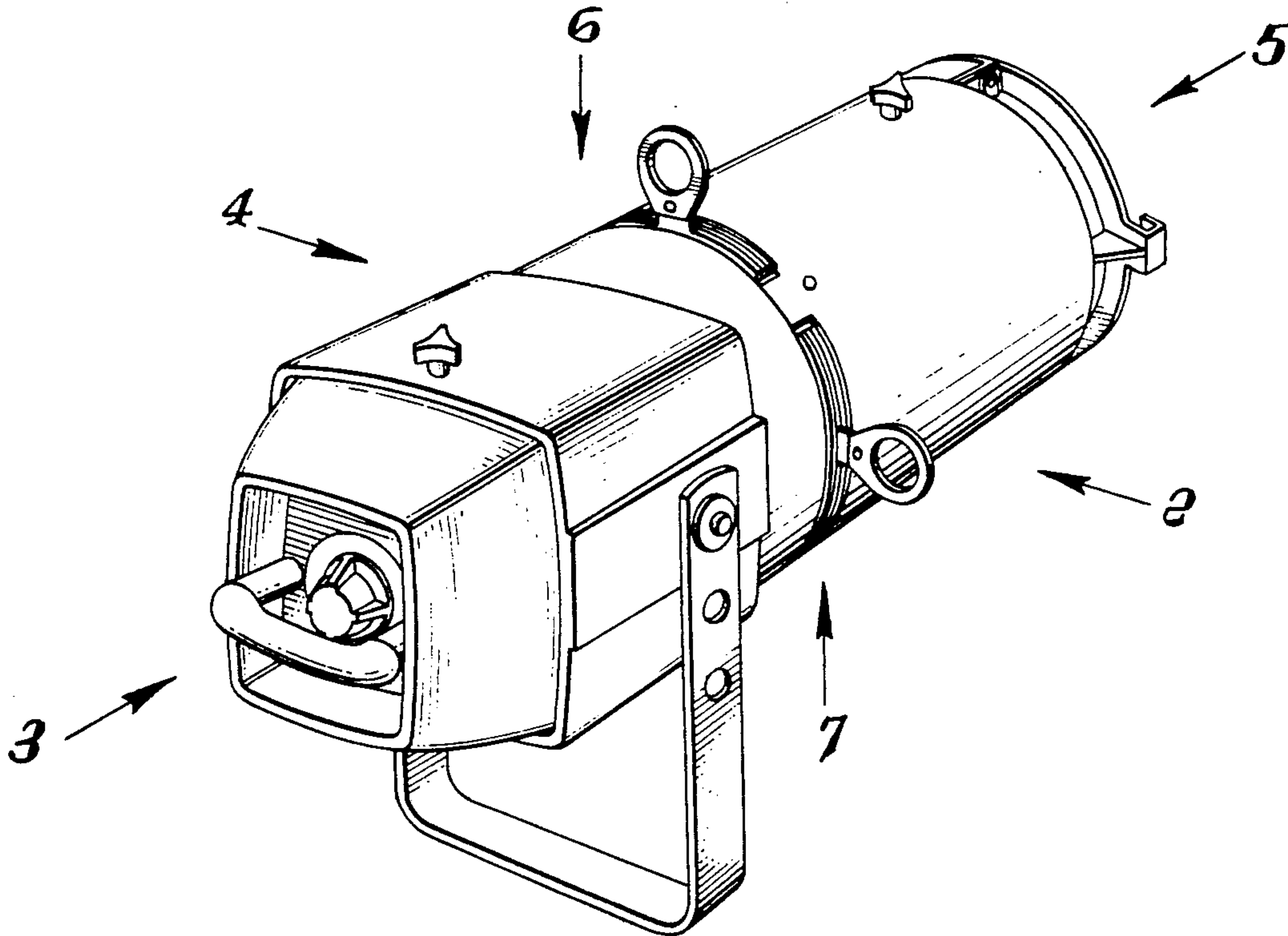
[57] CLAIM

The ornamental design for a luminaire, substantially as shown.

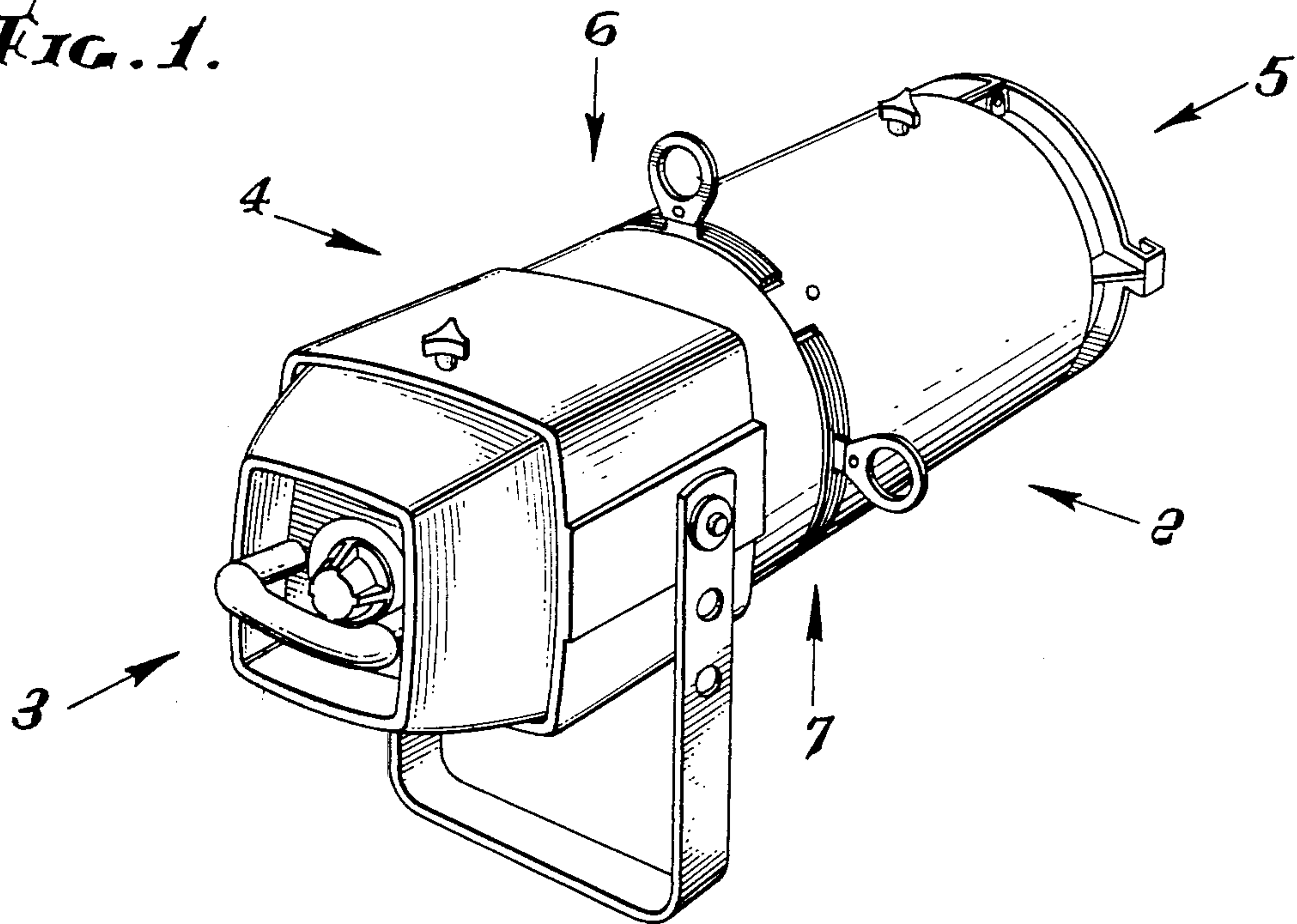
DESCRIPTION

FIG. 1 is a pictorial view of a luminaire incorporating my new design.

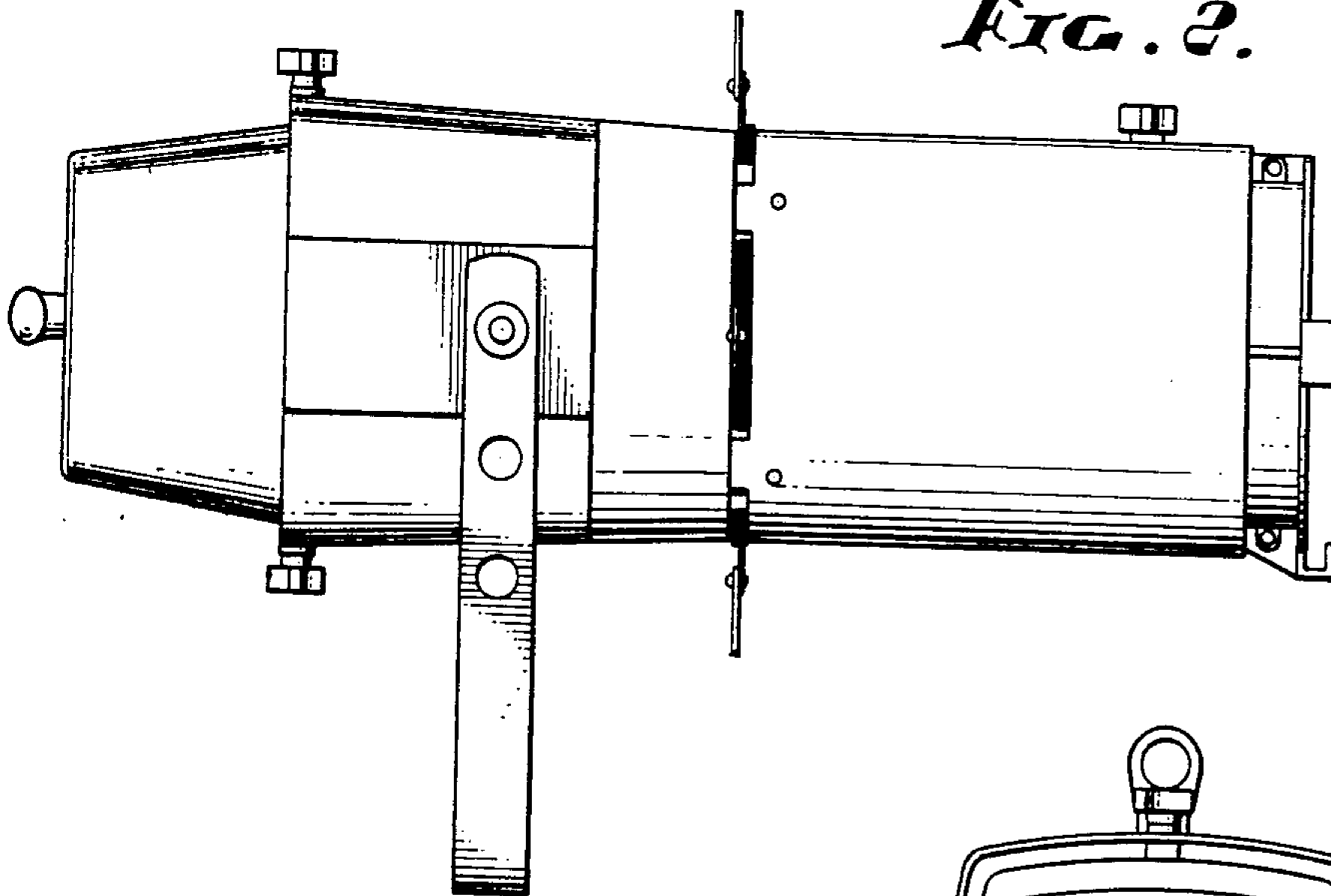
FIGS. 2 through 7 are, respectively, side, rear, opposite side, front, top and bottom views of the luminaire and taken in the directions indicated by corresponding arrows in FIG. 1.



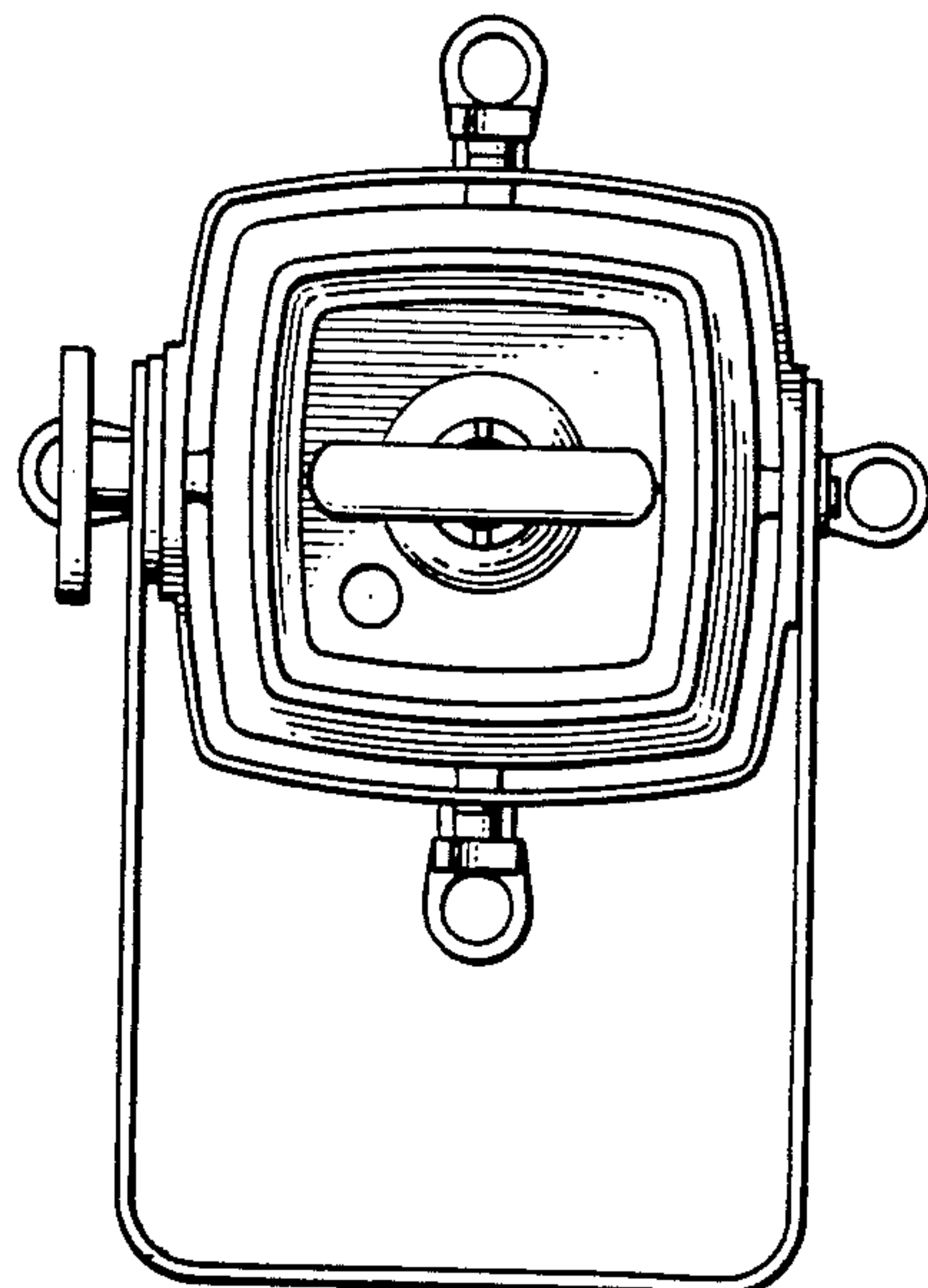
*FIG. 1.*



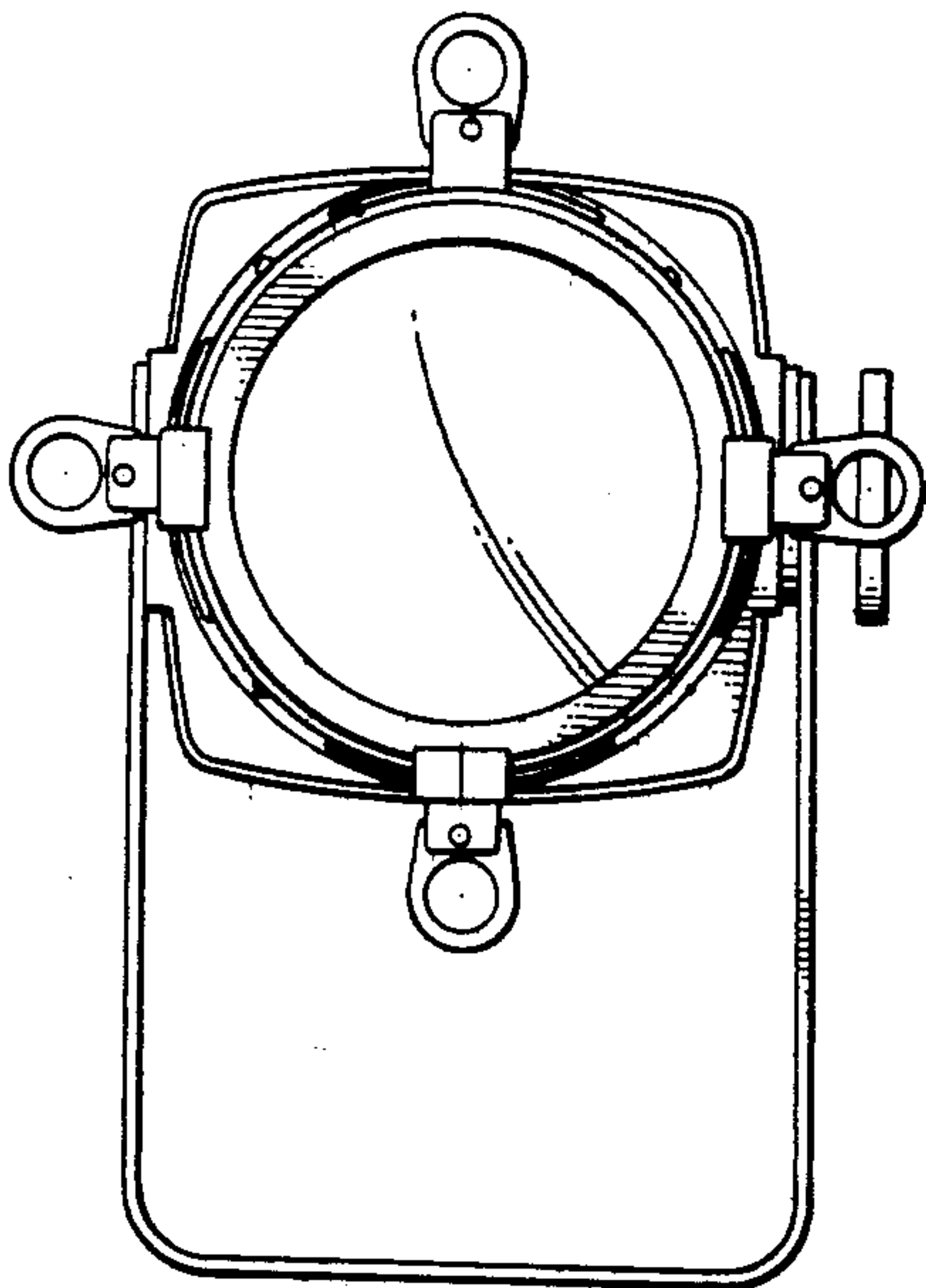
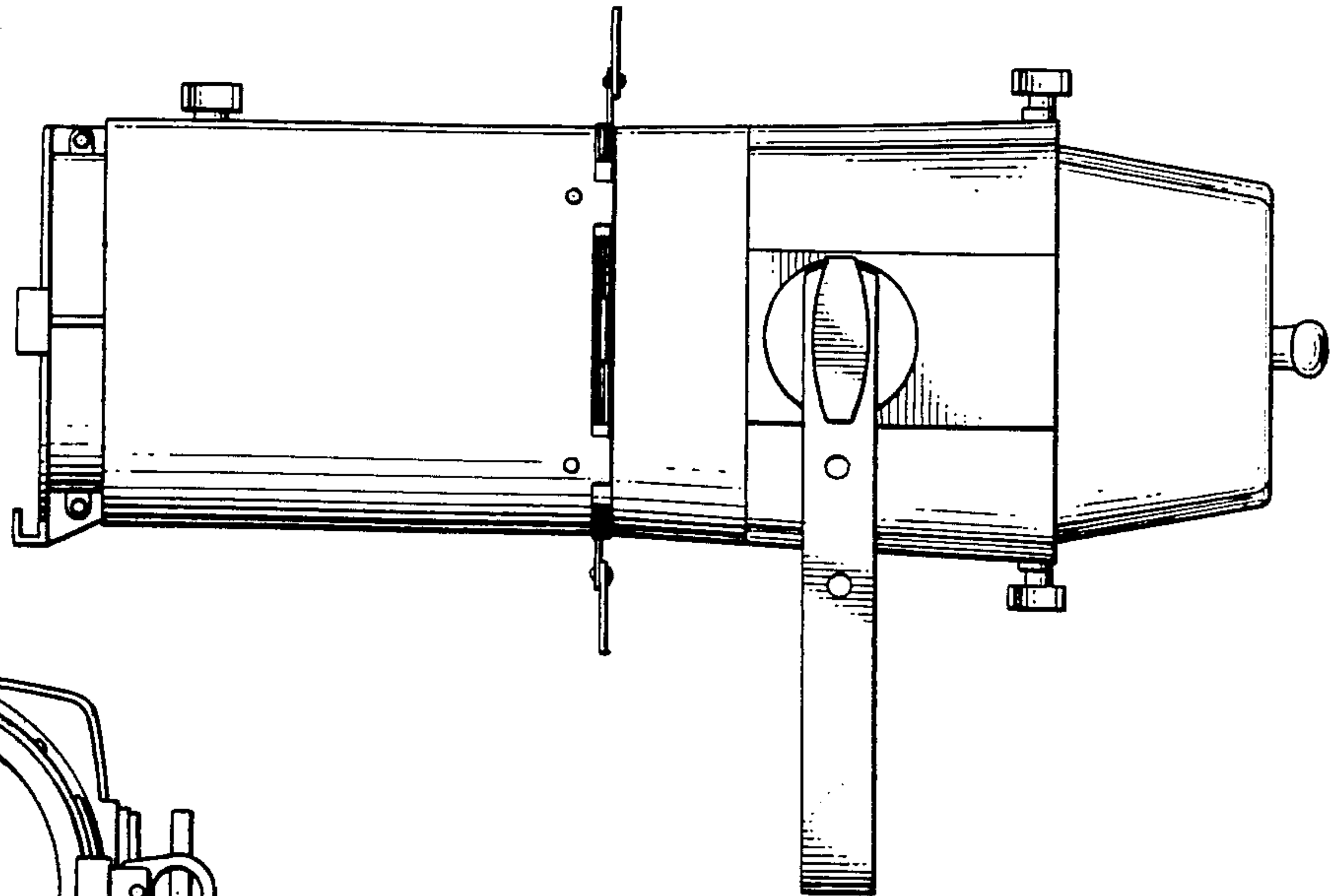
*FIG. 2.*



*FIG. 3.*

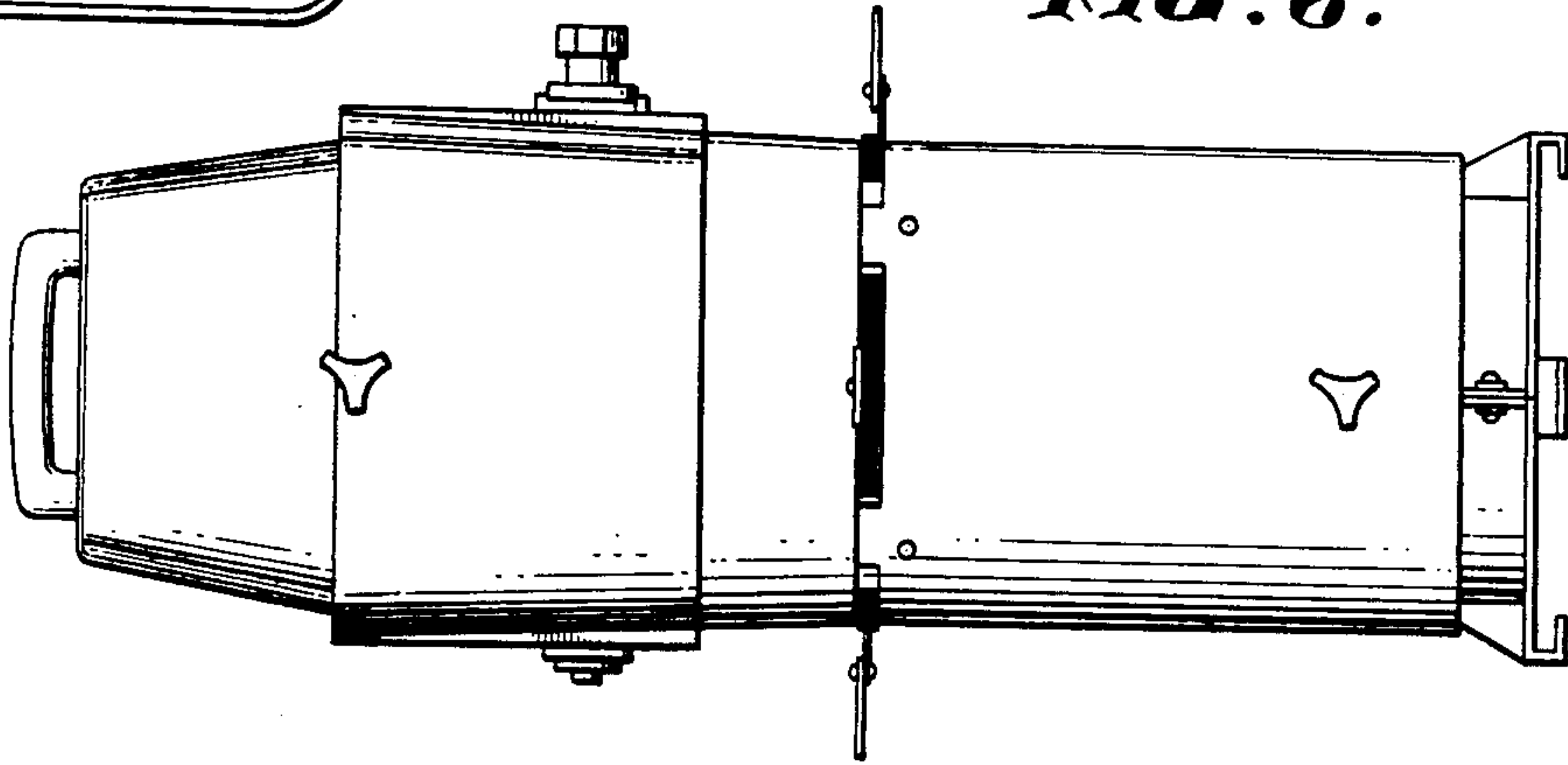


*FIG. 4.*



*FIG. 5.*

*FIG. 6.*



*FIG. 7.*

