

[54] SHOWER HEAD

[76] Inventor: **Alexandre José Antonio Lorenzetti**,
1230 President Wilson Avenue, Sao
Paulo, Brazil

[**] Term: **14 Years**

[21] Appl. No.: **683,024**

[22] Filed: **May 4, 1976**

[51] Int. Cl. **D23—01**

[52] U.S. Cl. **D23/35**

[58] Field of Search **D23/34—40;**
239/133, 588

[56] **References Cited**

U.S. PATENT DOCUMENTS

D. 200,187	1/1965	Davis	D23/35
D. 232,830	9/1974	Moos et al.	D23/3 A
2,647,017	7/1953	Coulliette	239/133 X

Primary Examiner—James R. Largen
Attorney, Agent, or Firm—Michael J. Striker

[57] **CLAIM**

The ornamental design for a shower head, substantially as shown.

DESCRIPTION

FIG. 1 is a perspective view taken from the front, top and right side of a shower head showing my new design;

FIG. 2 is a right side elevation thereof;

FIG. 3 is a top plan view thereof;

FIG. 4 is a rear view thereof; and

FIG. 5 is a left side elevation thereof.

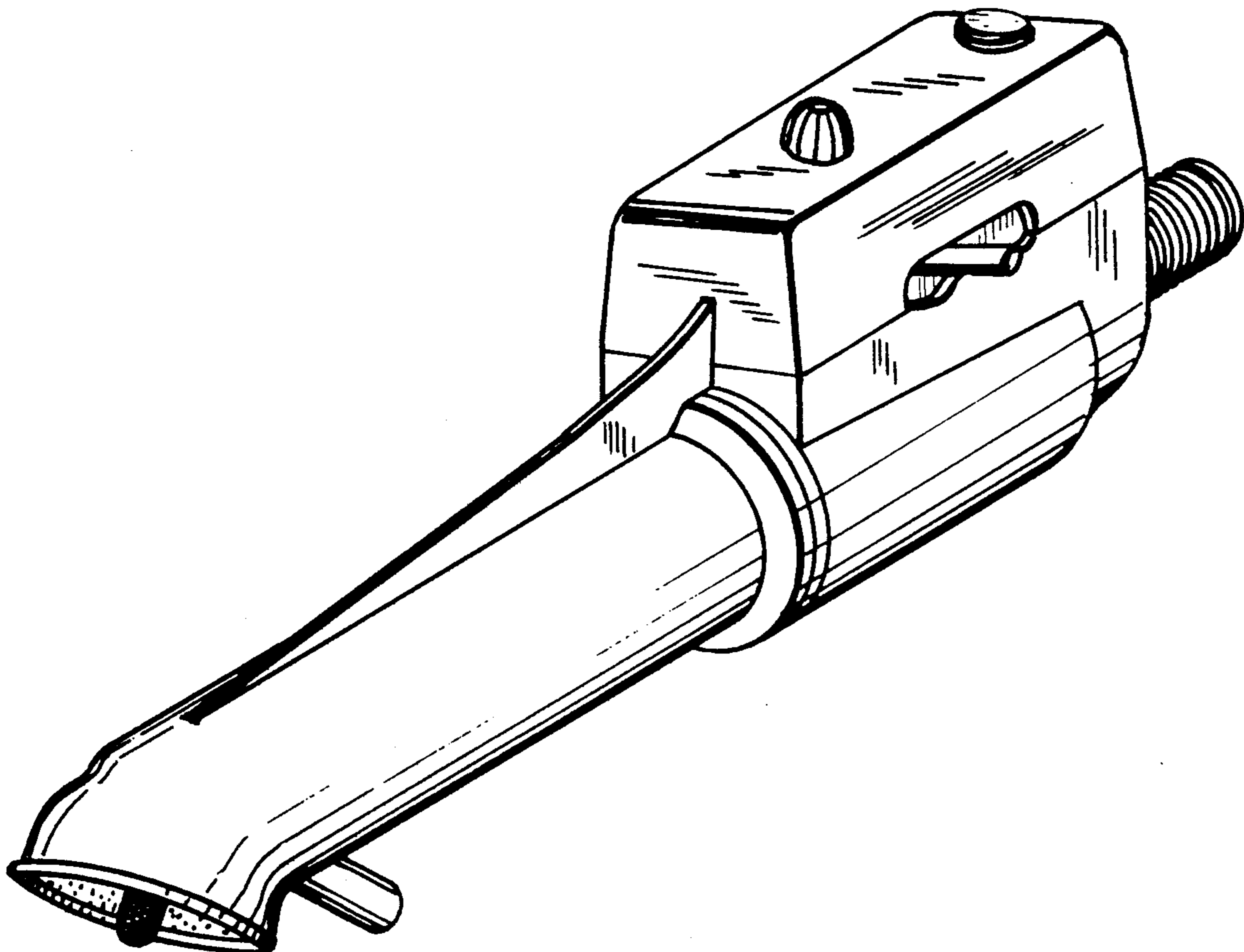


FIG. 1

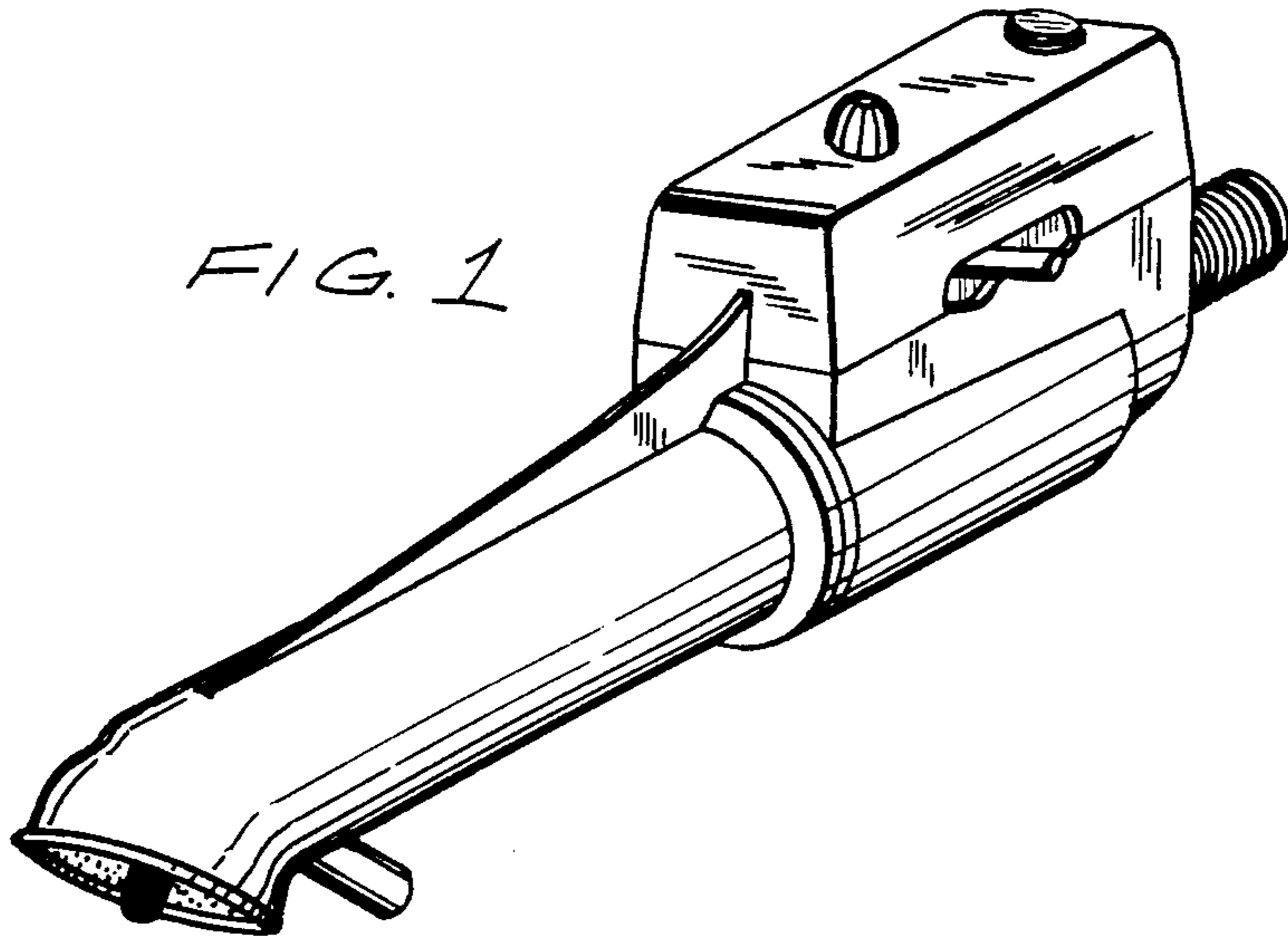


FIG. 2

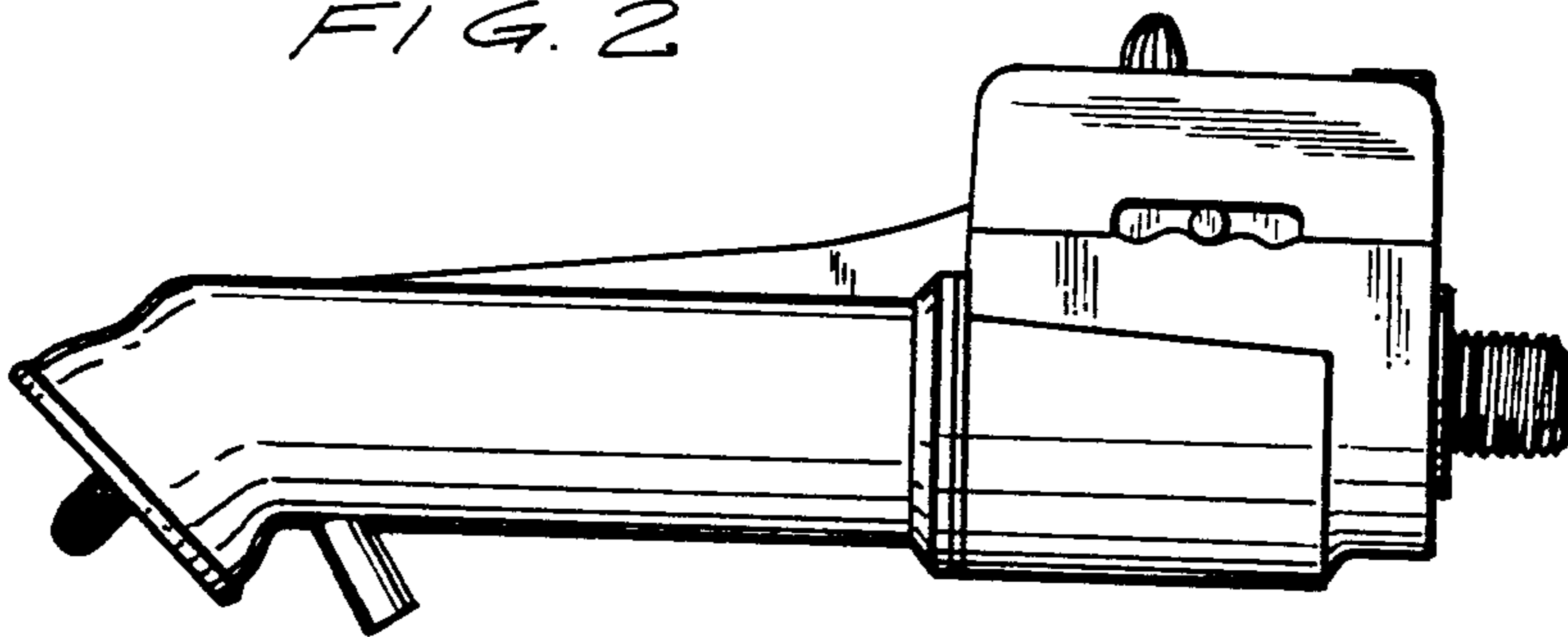


FIG. 3

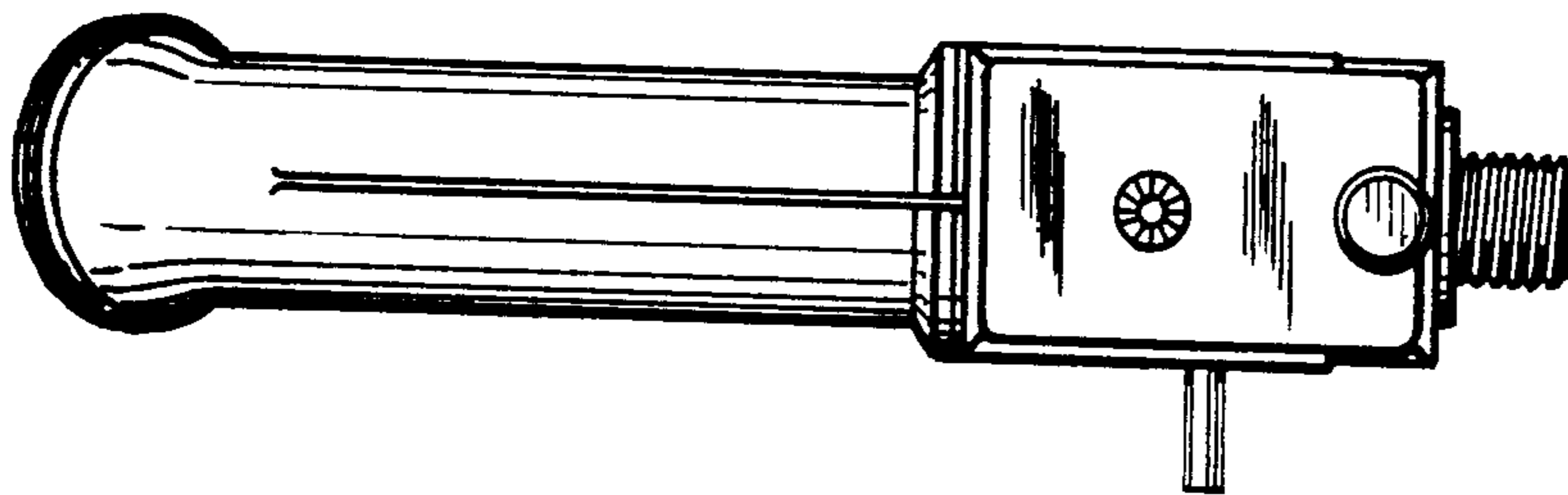


FIG. 4

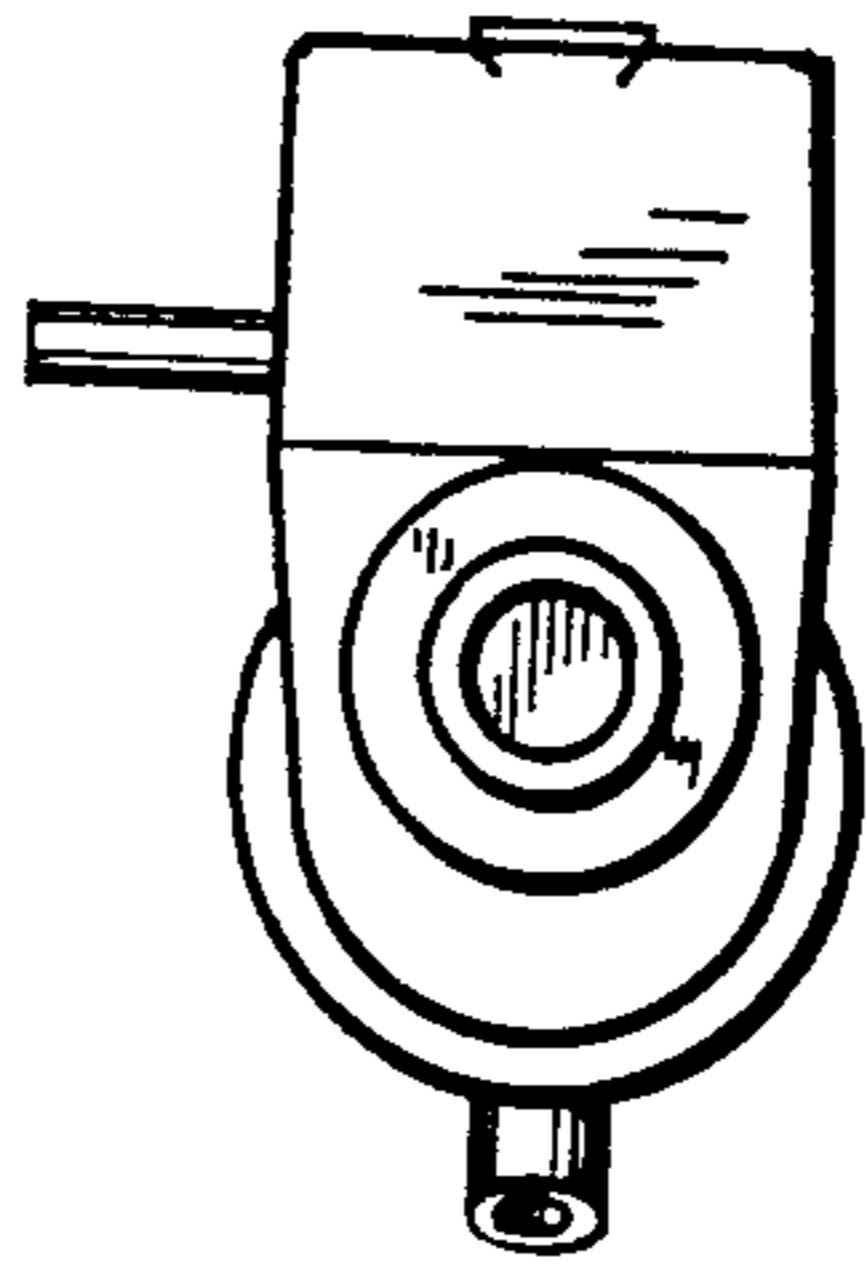


FIG. 5

