

[54] SPLICER

[75] Inventor: Kozo Nakahata, Tama, Japan

[73] Assignee: Marusho Industrial Co., Ltd., Tokyo, Japan

[**] Term: 14 years

[21] Appl. No.: 698,635

[22] Filed: Jun. 22, 1976

[51] Int. Cl. D16-05

[52] U.S. Cl. D16/41

[58] Field of Search D16/41; 156/502, 503, 156/504, 505, 506, 507, 508, 509

[56] References Cited

U.S. PATENT DOCUMENTS

D. 188,356	7/1960	Hertzler	D16/41
3,053,711	9/1962	Eagle et al.	156/502
3,290,201	12/1966	Jorgensen	156/505

3,346,437	10/1967	Post et al.	156/505
3,607,571	9/1971	Tange	156/505

Primary Examiner—Wallace R. Burke
Assistant Examiner—Catherine Kemper
Attorney, Agent, or Firm—Richard C. Sughrue

[57] CLAIM

The ornamental design for a splicer, as shown and described.

DESCRIPTION

FIG. 1 is a front, top and right side perspective view of a splicer showing my new design with the handle shown in a depressed position;
FIG. 2 is a rear, top and right side perspective view with the handle depressed;
FIG. 3 is a bottom, rear and right side perspective view; and
FIG. 4 is a front, top and left side perspective view with the handle shown in a raised position.

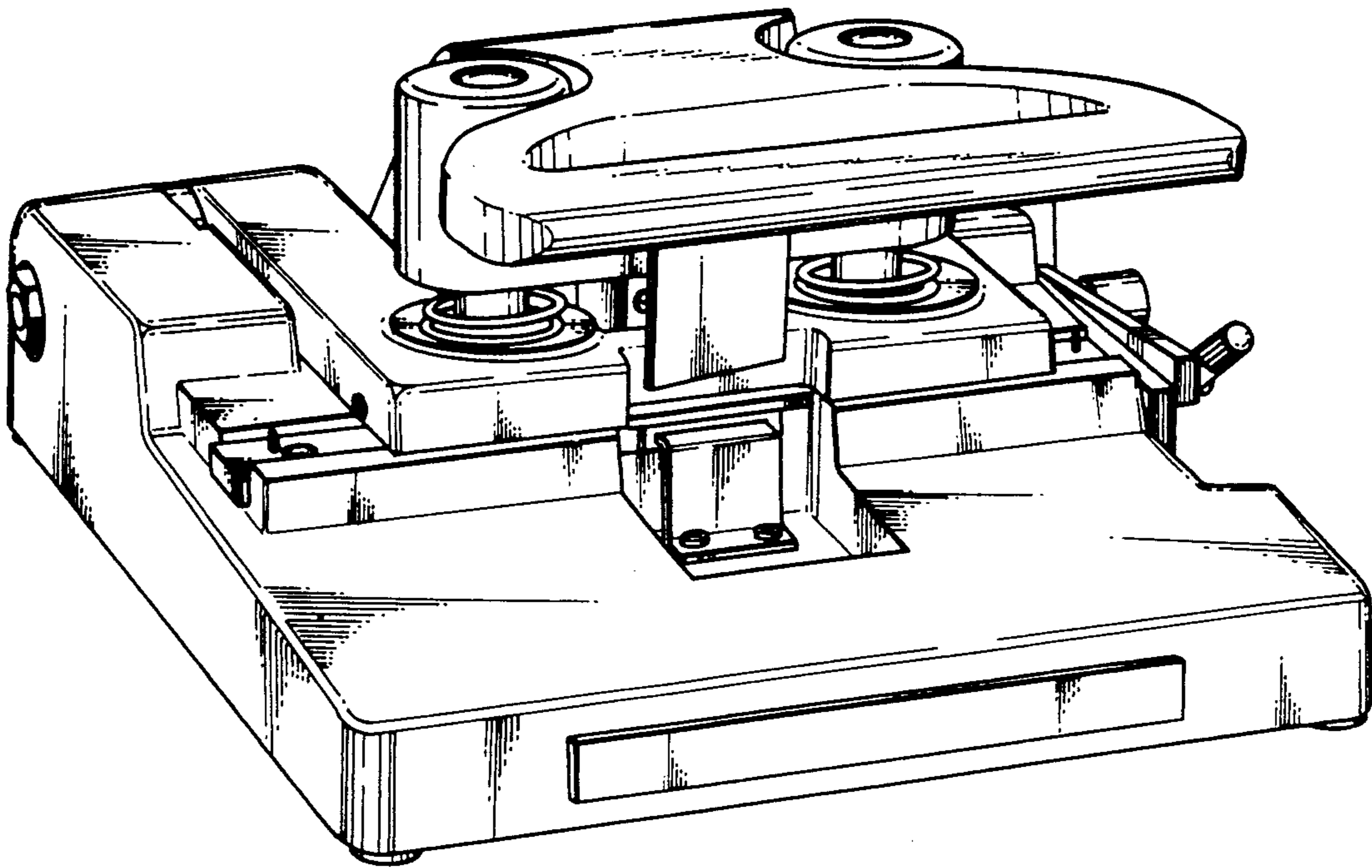


Fig. 1

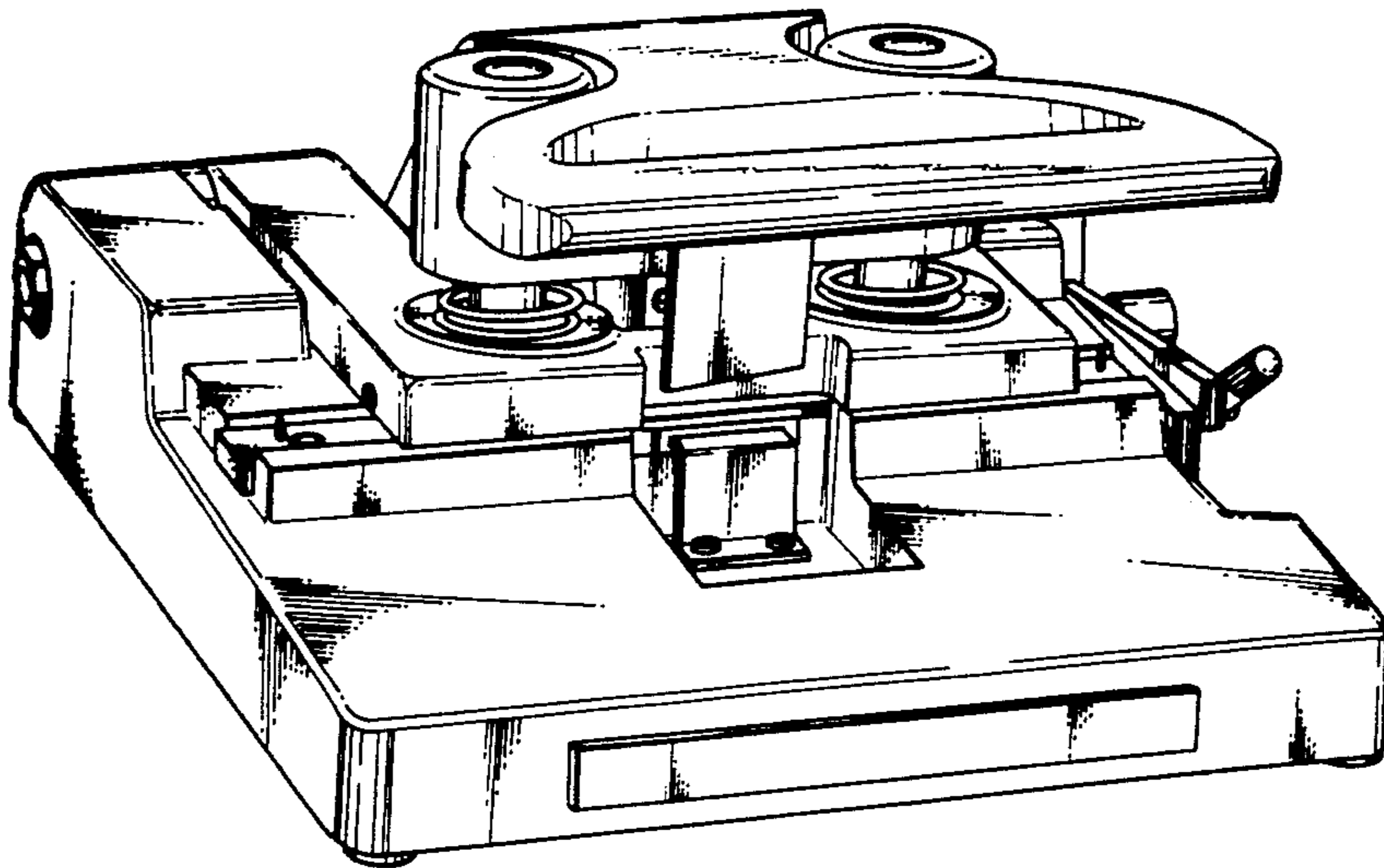


Fig. 2

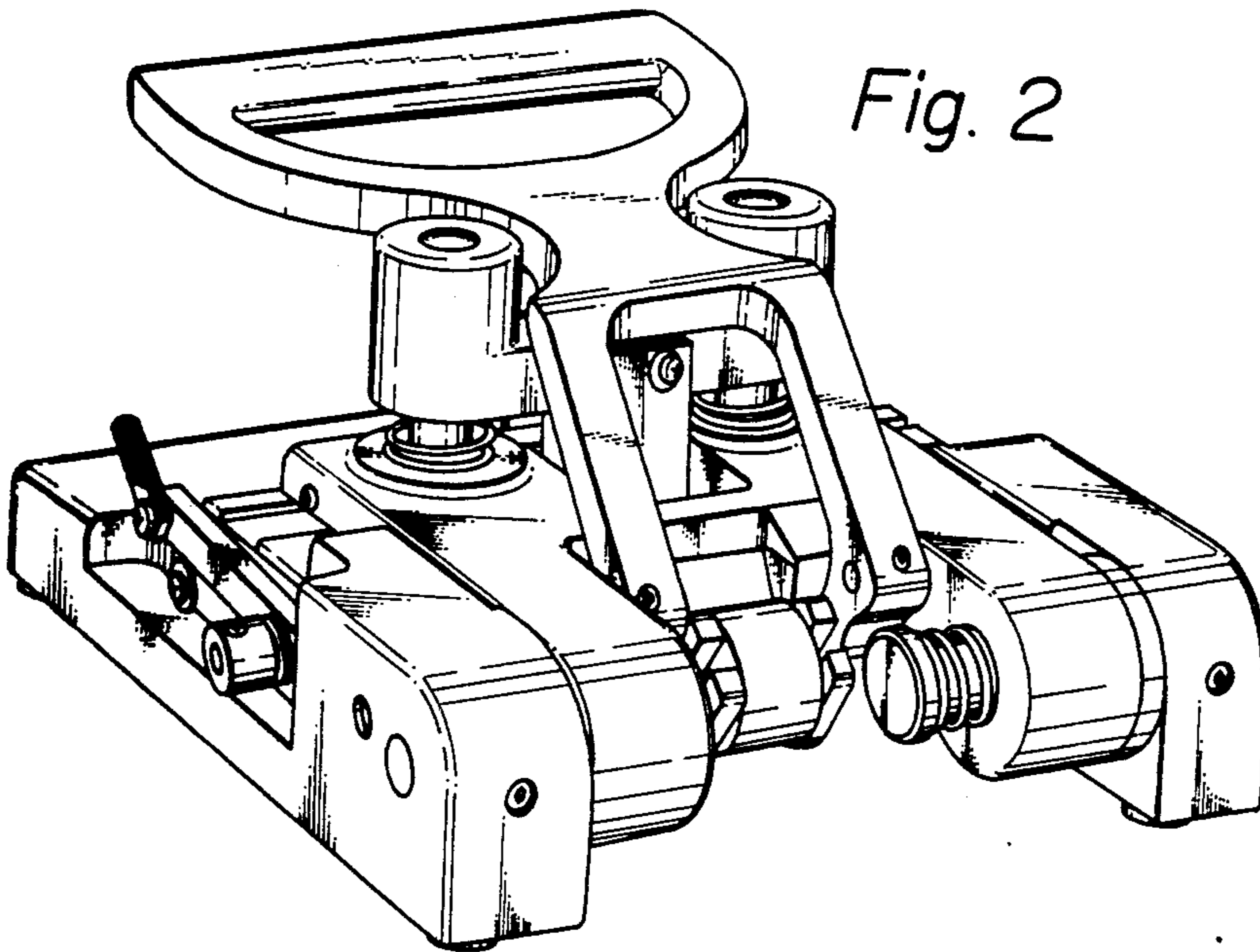


Fig. 3

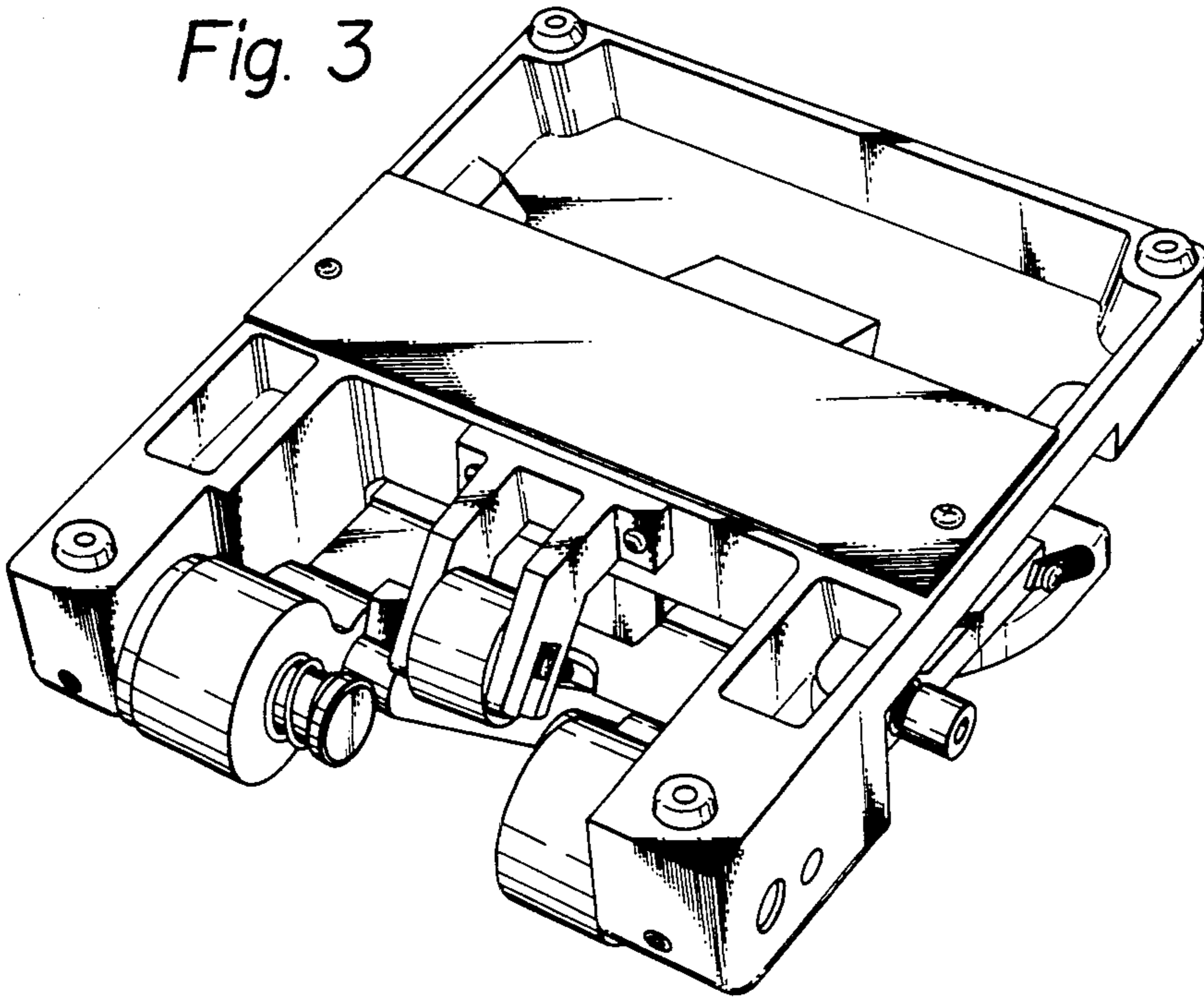


Fig. 4

