

[54] FIRE ALARM HOUSING

[75] Inventor: Larry D. Larsen, Palatine, Ill.

[73] Assignee: Patent Development & Management Company, Elgin, Ill.

[\*\*] Term: 14 Years

[21] Appl. No.: 660,254

[22] Filed: Feb. 23, 1976

[51] Int. Cl. .... D10-05

[52] U.S. Cl. .... D10/121

[58] Field of Search ..... D10/106, 118, 121;  
340/227 R, 227.1, 228 R, 228.1, 237 R, 237 S,  
258, 276

[56] References Cited

U.S. PATENT DOCUMENTS

D. 216,229 12/1969 Hauser ..... D10/121

OTHER PUBLICATIONS

Sears Fall and Winter Catalog, 1974, p. 905, Ionization Detector (top right).

Primary Examiner—Susie J. Mercer

Attorney, Agent, or Firm—James W. Potthast

[57] CLAIM

The ornamental design for a fire alarm housing, as shown and described.

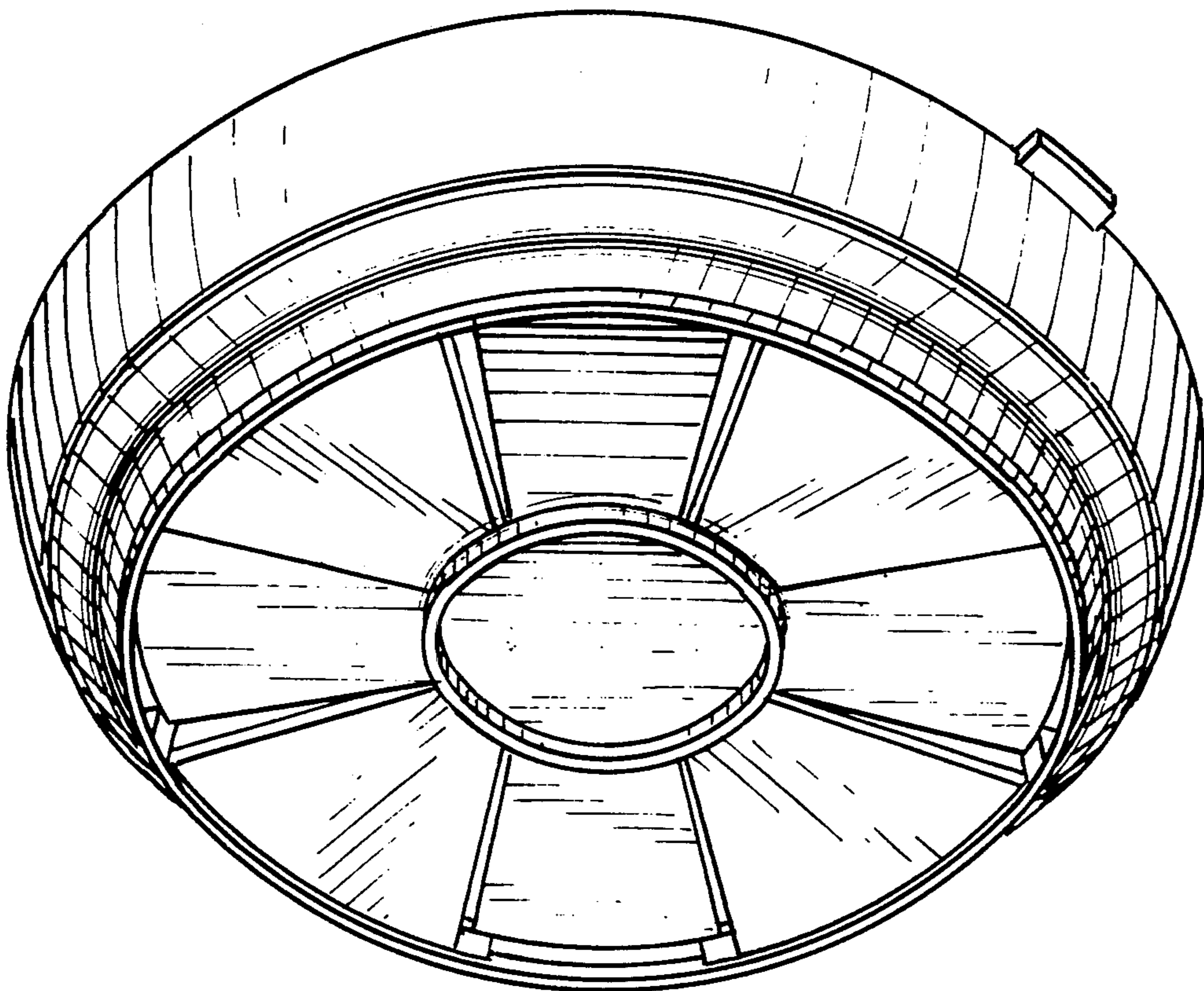
DESCRIPTION

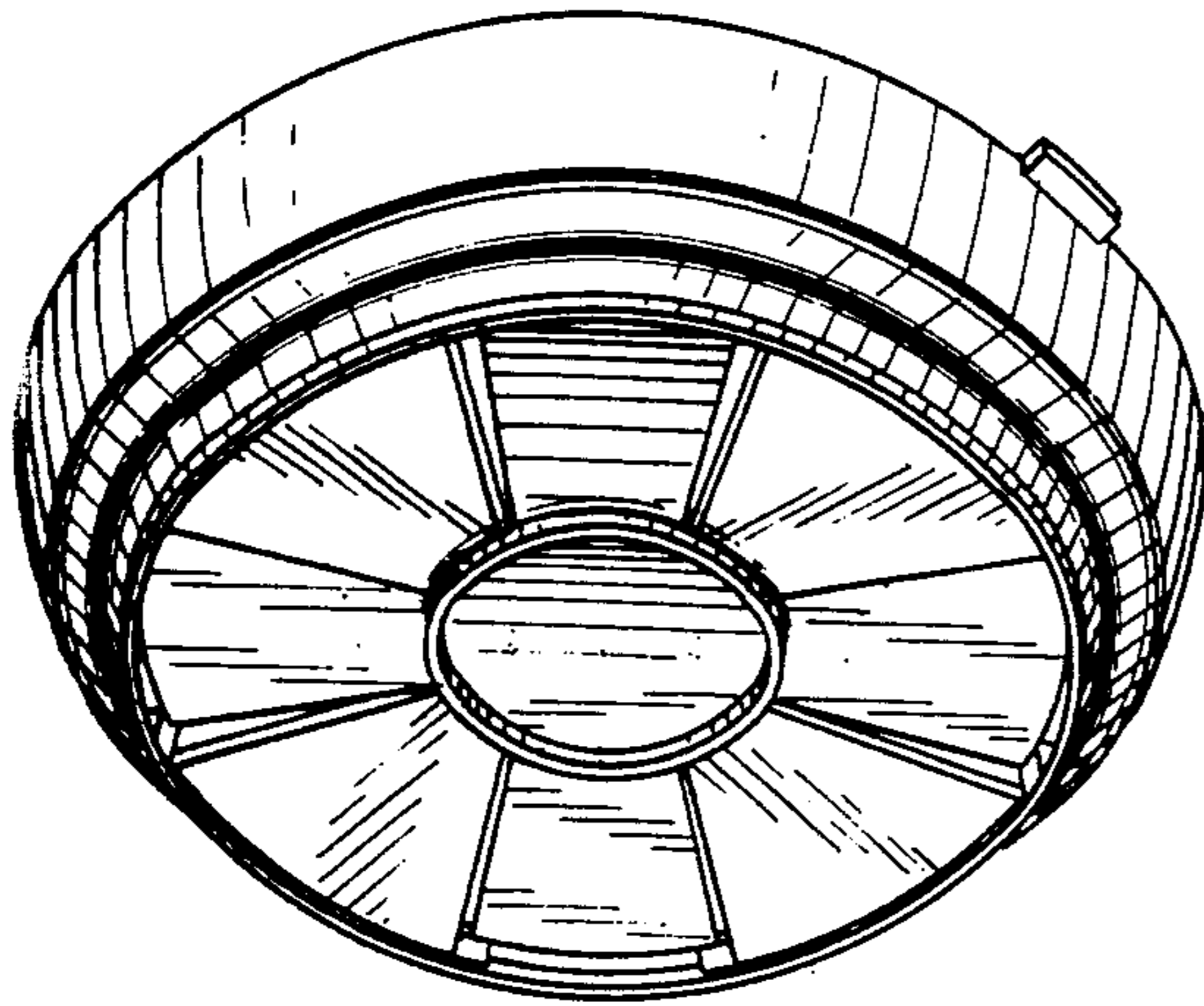
FIG. 1 is a perspective view of the fire alarm housing embodying my design;

FIG. 2 is an enlarged plan view thereof;

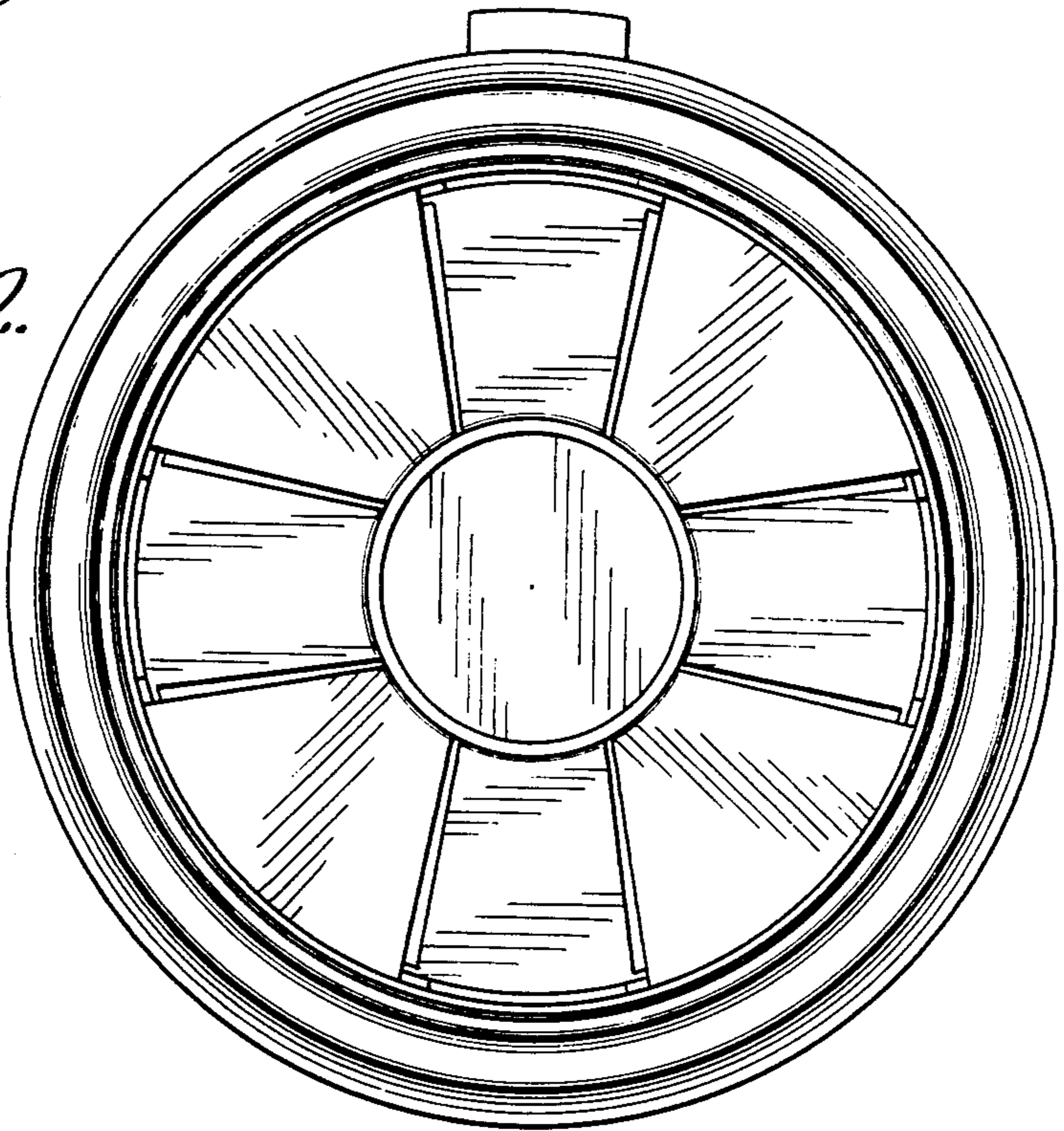
FIG. 3 is an enlarged side elevational view thereof;

FIG. 4 is an enlarged front elevational view thereof.



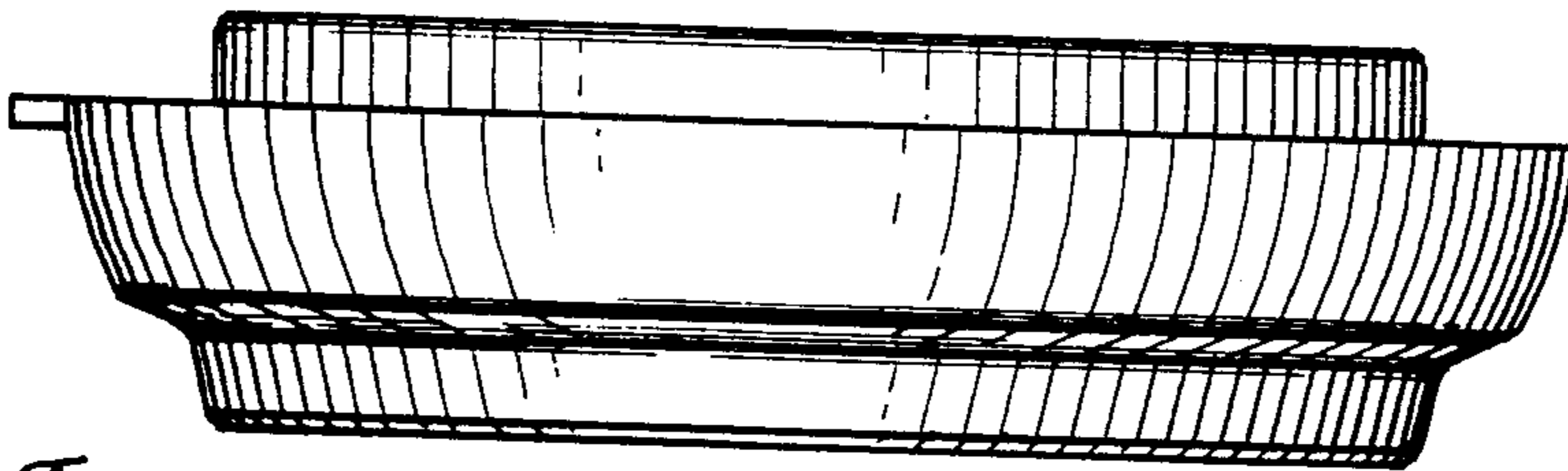


*Fig. 1.*



*Fig. 2.*

*Fig. 3.*



*Fig. 4.*

