

[54] HANDLE FOR FURNITURE DOORS,  
DRAWERS OR THE LIKE

[58] Field of Search ..... D8/300, 302, 304, 306,  
D8/307, 310, 312, 313, 315-320, 350-353, 368,  
378

[75] Inventor: Roland Spellier, Lemgo, Germany

[56] References Cited

[73] Assignee: Firma Richard Heinze GmbH & Co.  
KG, Herford, Germany

U.S. PATENT DOCUMENTS

[\*\*] Term: 14 Years

D. 116,497 9/1939 Lingard ..... D8/313  
D. 170,611 10/1953 Sharp ..... D8/320  
D. 183,739 10/1958 Gomersall ..... D8/316

[21] Appl. No.: 653,852

Primary Examiner—Wallace R. Burke  
Assistant Examiner—B. J. Bullock  
Attorney, Agent, or Firm—George Vande Sande

[22] Filed: Jan. 30, 1976

[57] CLAIM

[30] Foreign Application Priority Data

Aug. 1, 1975 Germany ..... 6 AR 138/75

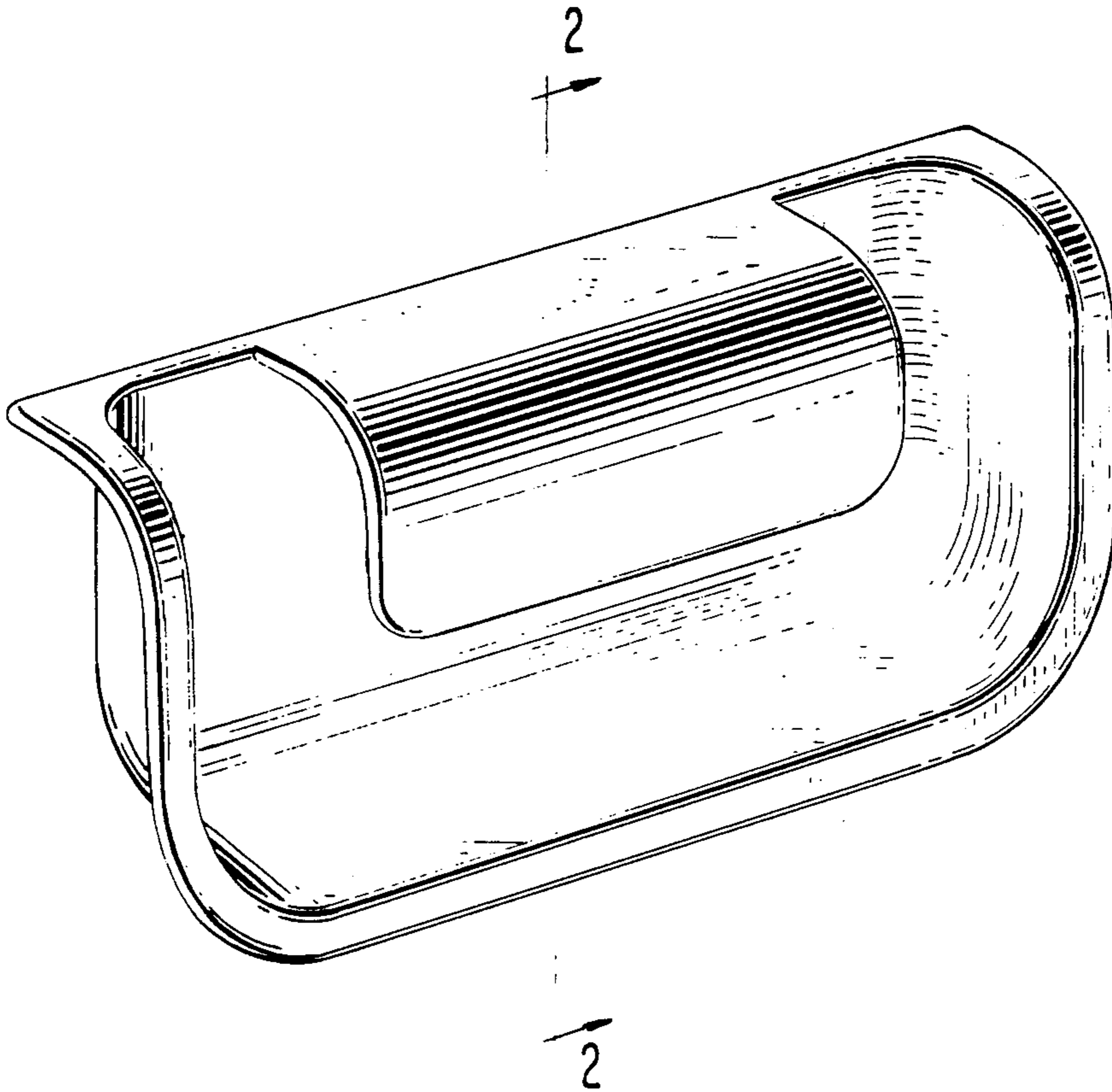
The ornamental design for a handle for furniture doors,  
drawers or the like, as shown.

DESCRIPTION

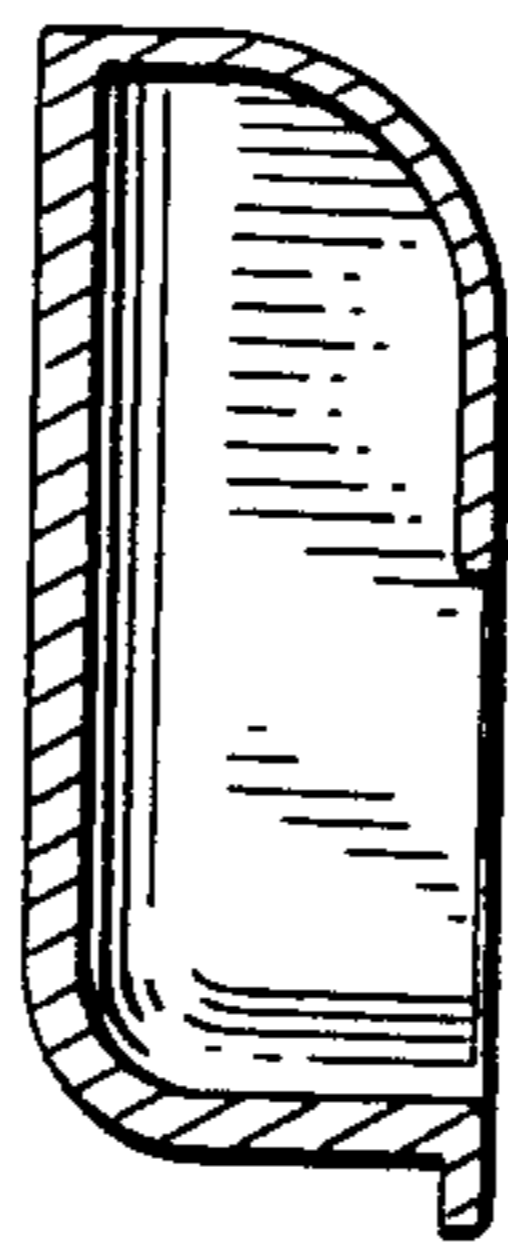
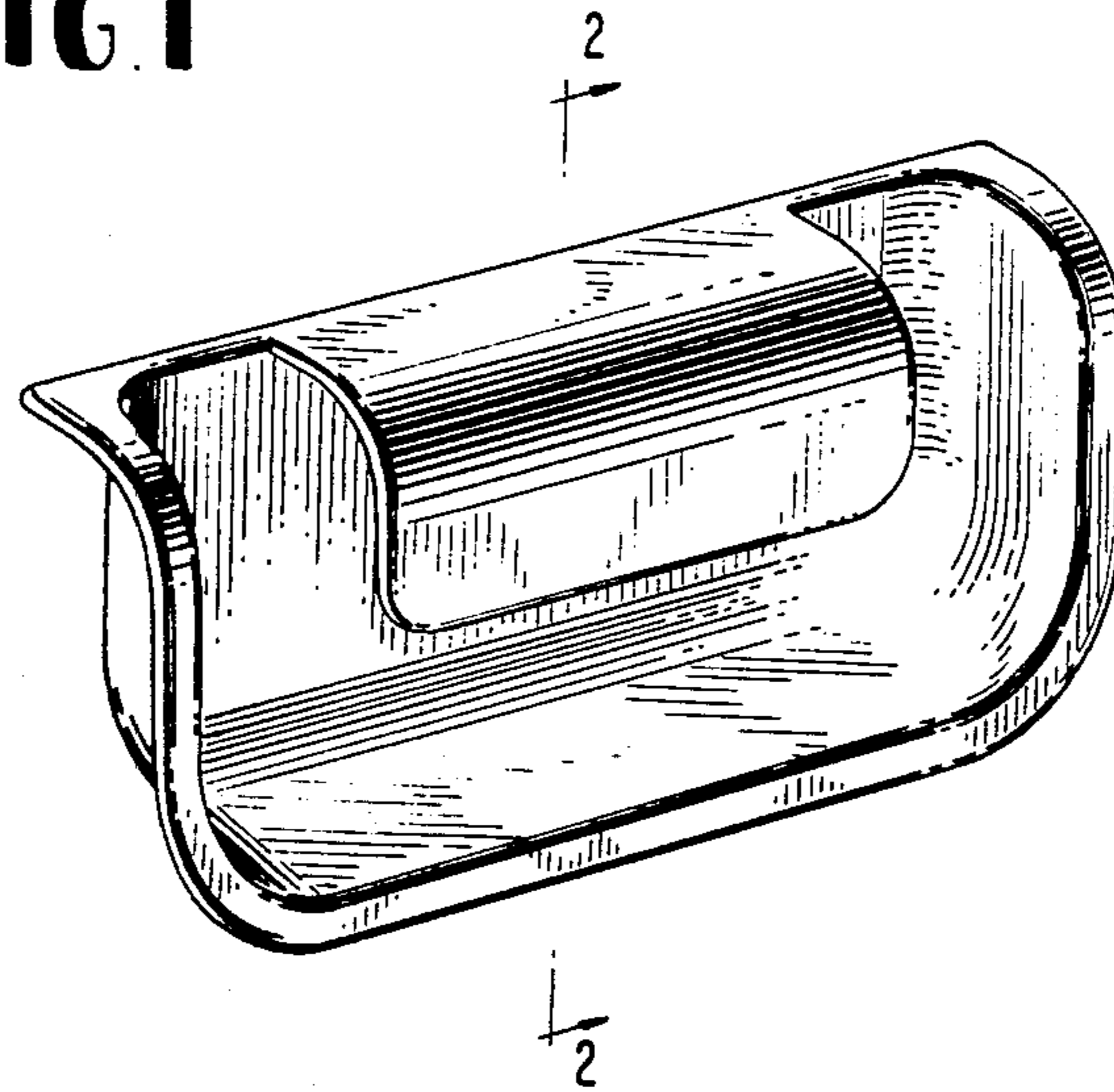
[51] Int. Cl. .... D8-06

[52] U.S. Cl. .... D8/313

FIG. 1 is a perspective view of a handle for furniture  
doors, drawers or the like showing my new design.  
FIG. 2 is a sectional view taken on line 2-2 of FIG. 1.



**FIG. 1**



**FIG. 2**