

[54] RECORD CLEANING DEVICE

[76] Inventor: John S. Doyel, 110 W. 20th St., New York, N.Y. 10011

[**] Term: 14 Years

[21] Appl. No.: 725,937

[22] Filed: Sep. 23, 1976

[51] Int. Cl. D7-05

[52] U.S. Cl. D7/161

[58] Field of Search D7/161; 274/47; 15/104 A, 310, 311

[56] References Cited

U.S. PATENT DOCUMENTS

D. 243,382 2/1977 Mox et al. D7/161

3,005,223 10/1961 Taylor et al. 274/47 X
3,150,401 9/1964 Taylor et al. 274/47 X

Primary Examiner—Wallace R. Burke
Assistant Examiner—Catherine Kemper
Attorney, Agent, or Firm—Lester W. Clark

[57] CLAIM

The ornamental design for a record cleaning device, as shown and described.

DESCRIPTION

FIG. 1 is a perspective view of a record cleaning device showing my new design.

FIG. 2 is a front elevational view thereof.

FIG. 3 is an elevational view of the side not visible in FIG. 1.

FIG. 4 is a top plan view thereof.

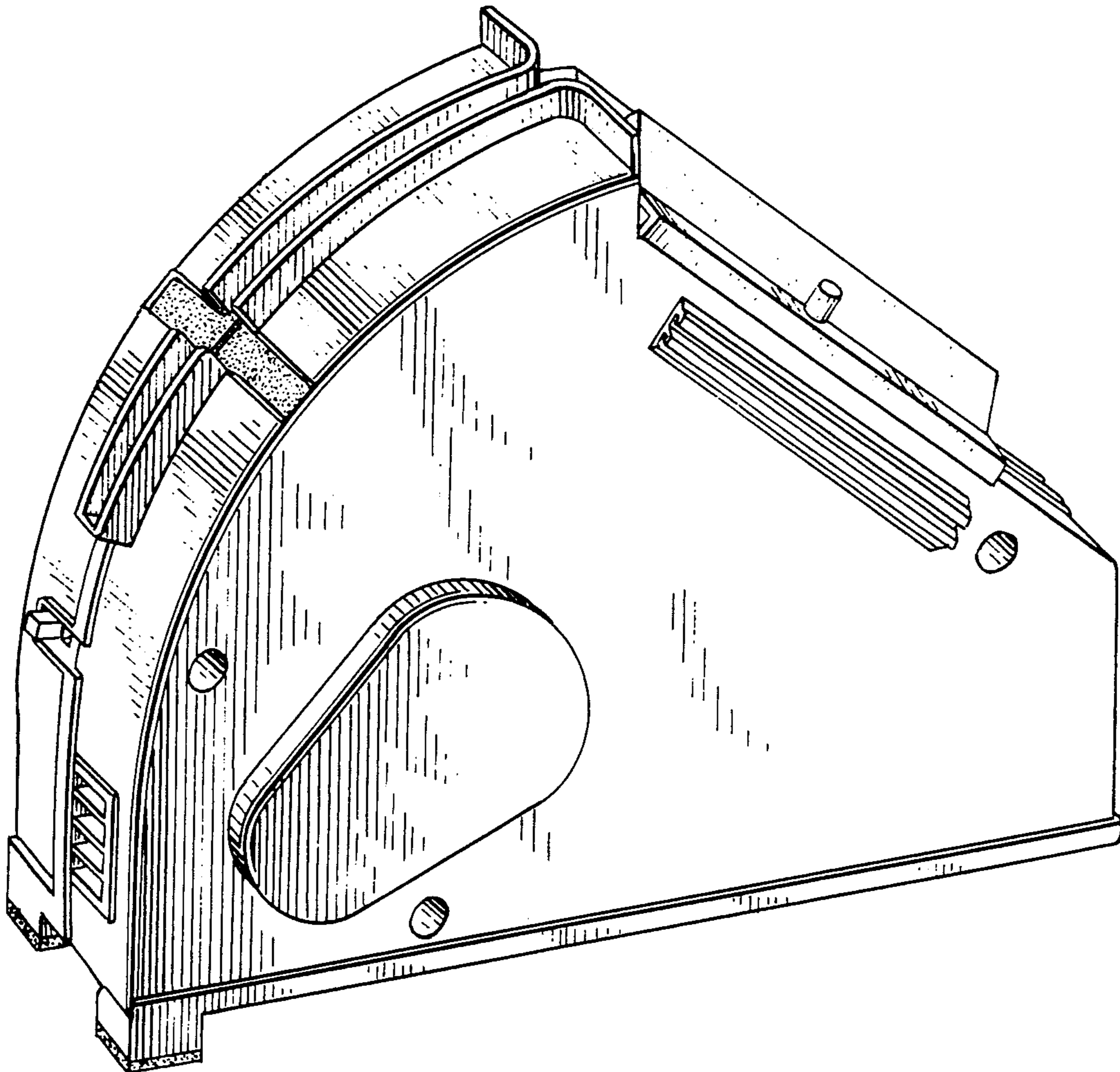


Fig. 1.

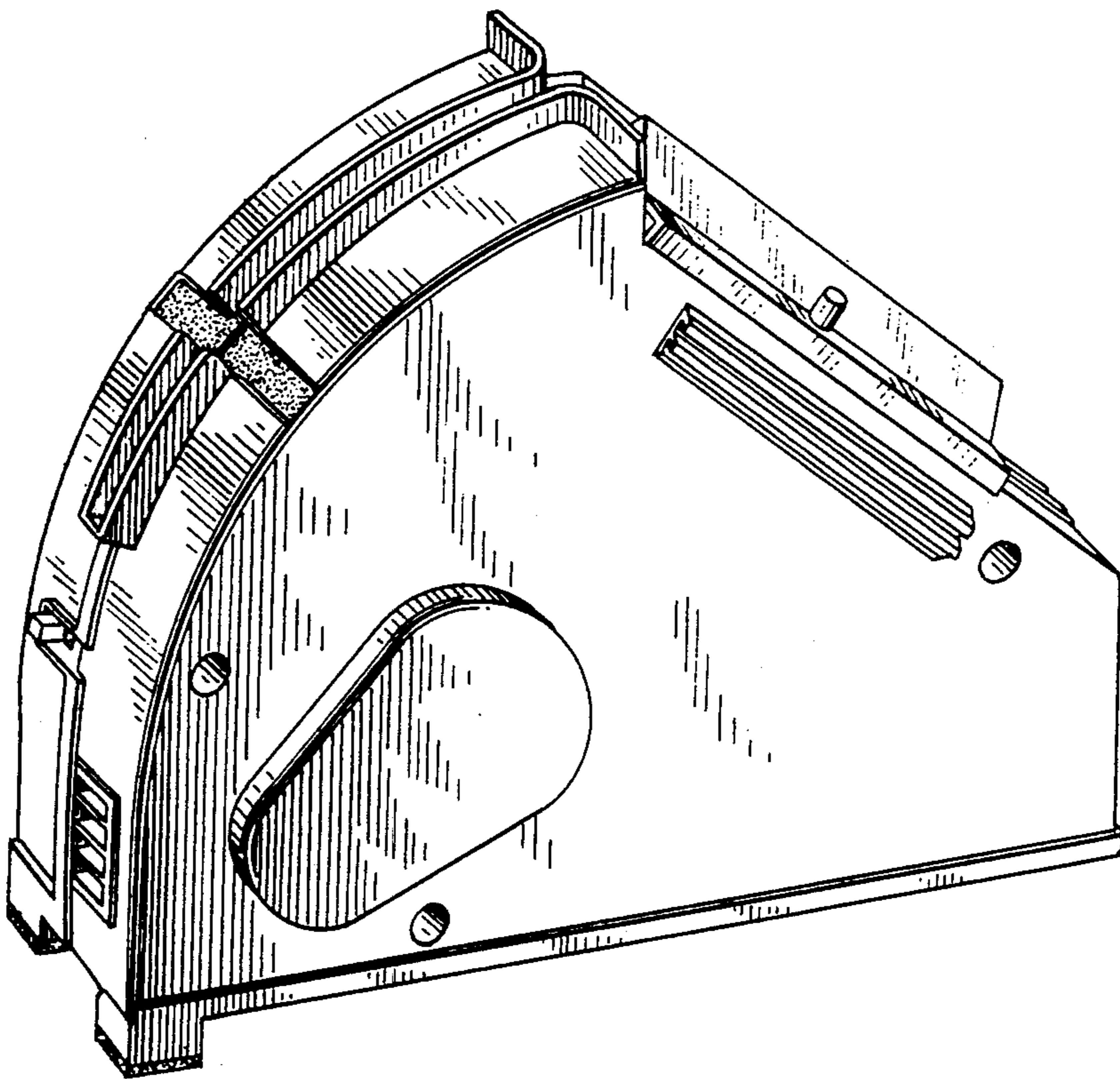


Fig. 3.

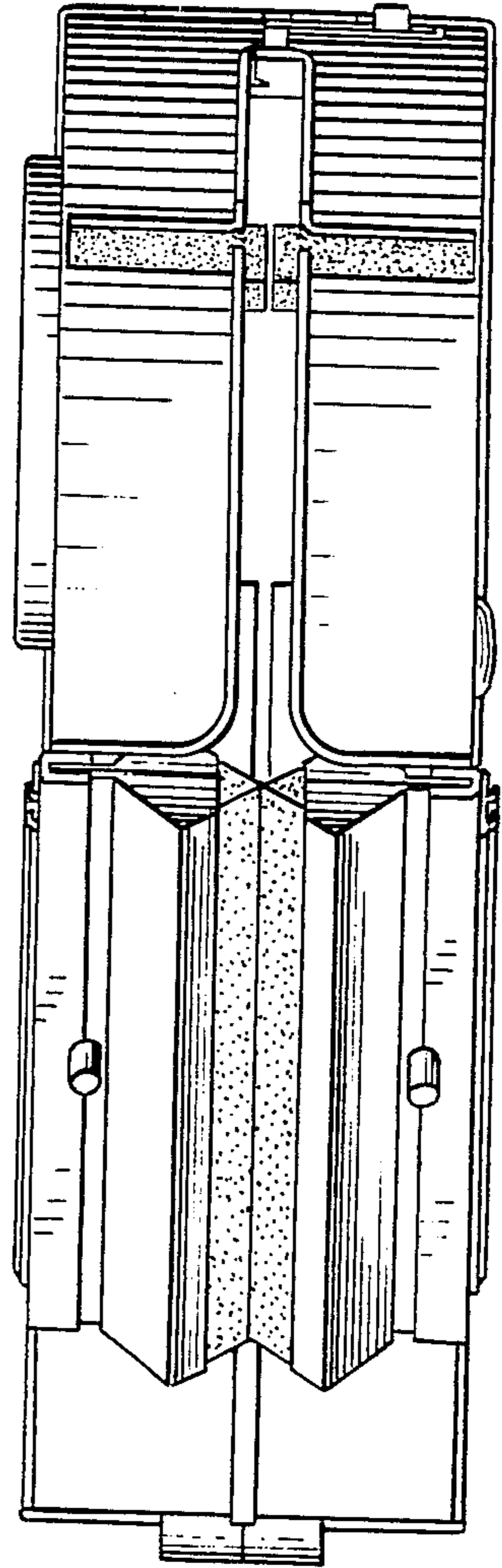
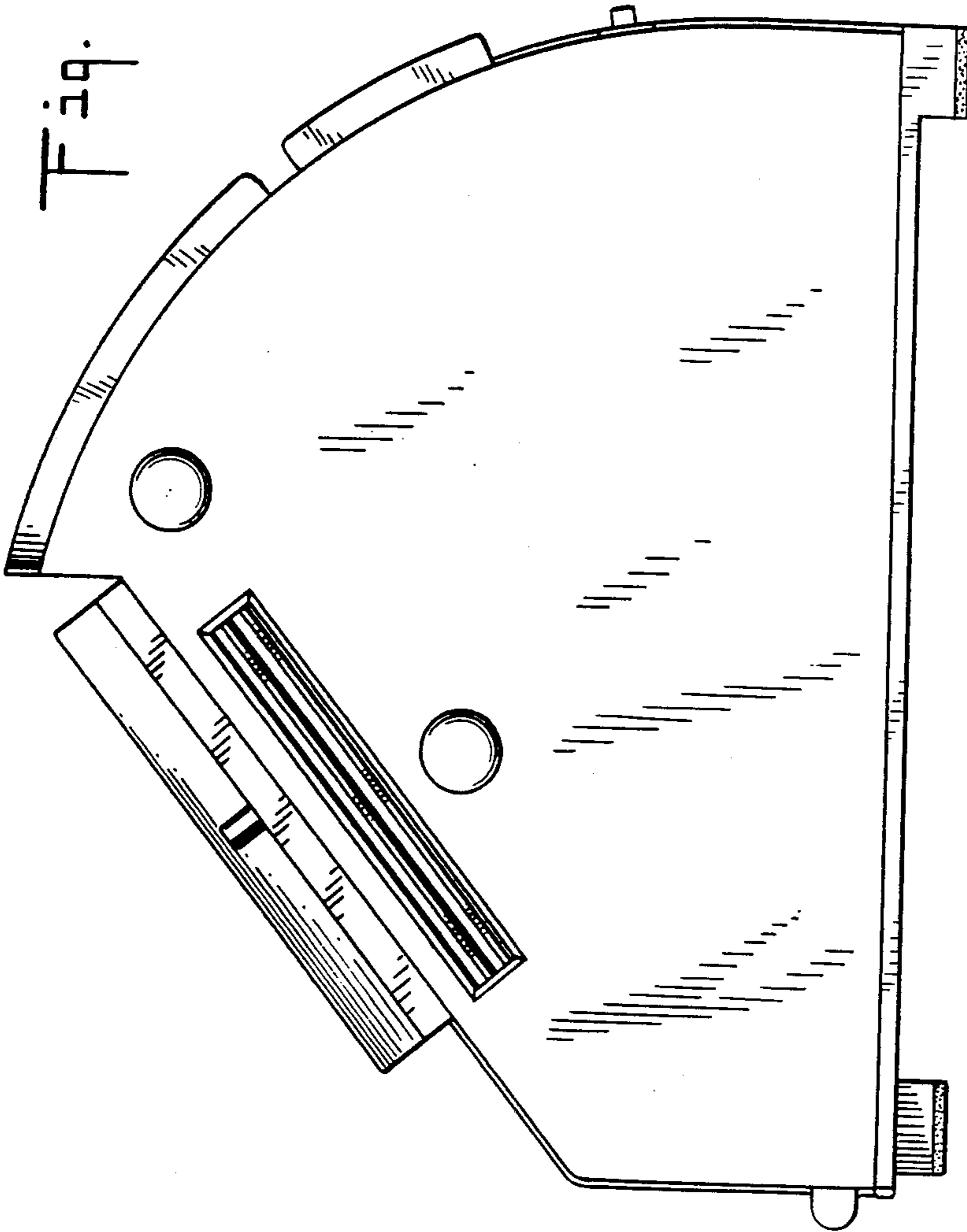


Fig. 4.

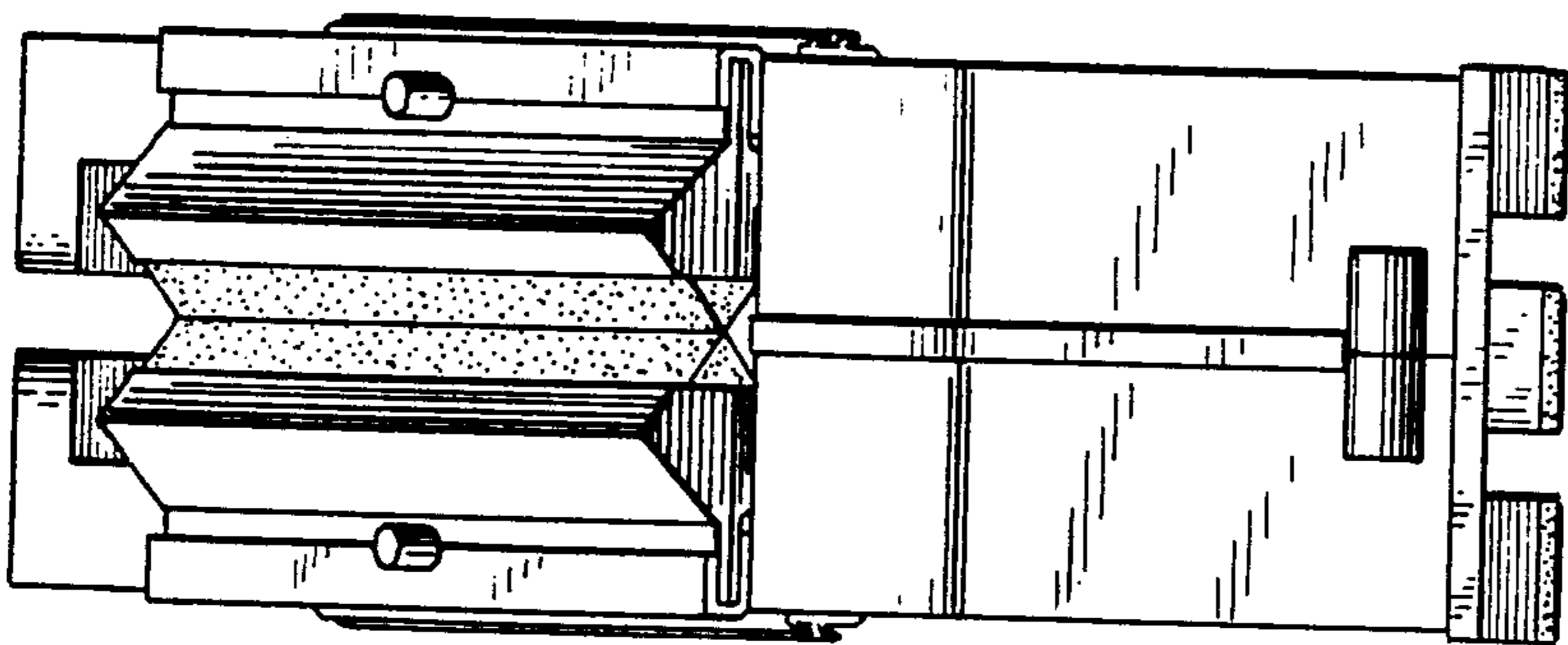


Fig. 2.