

[54] MULTICOMPARTMENT WALLET

3,012,597 12/1961 Noymer ..... 150/30  
3,543,825 12/1970 Dobbs ..... 150/30

[76] Inventor: Peter D. Kamenstein, 5 Pond La.,  
Armonk, N.Y. 10504

[\*\*] Term: 14 Years

Primary Examiner—Joel Stearman  
Assistant Examiner—George P. Word  
Attorney, Agent, or Firm—Allison C. Collard

[21] Appl. No.: 625,421

[57] CLAIM

[22] Filed: Oct. 24, 1975

The ornamental design for multicompartment wallet,  
substantially as shown and described.

[51] Int. Cl. .... D3-01

[52] U.S. Cl. .... D87/3 A

[58] Field of Search ..... D87/3 A, 3 R, 3 D;  
150/35, 36, 38, 39, 28 R, 30

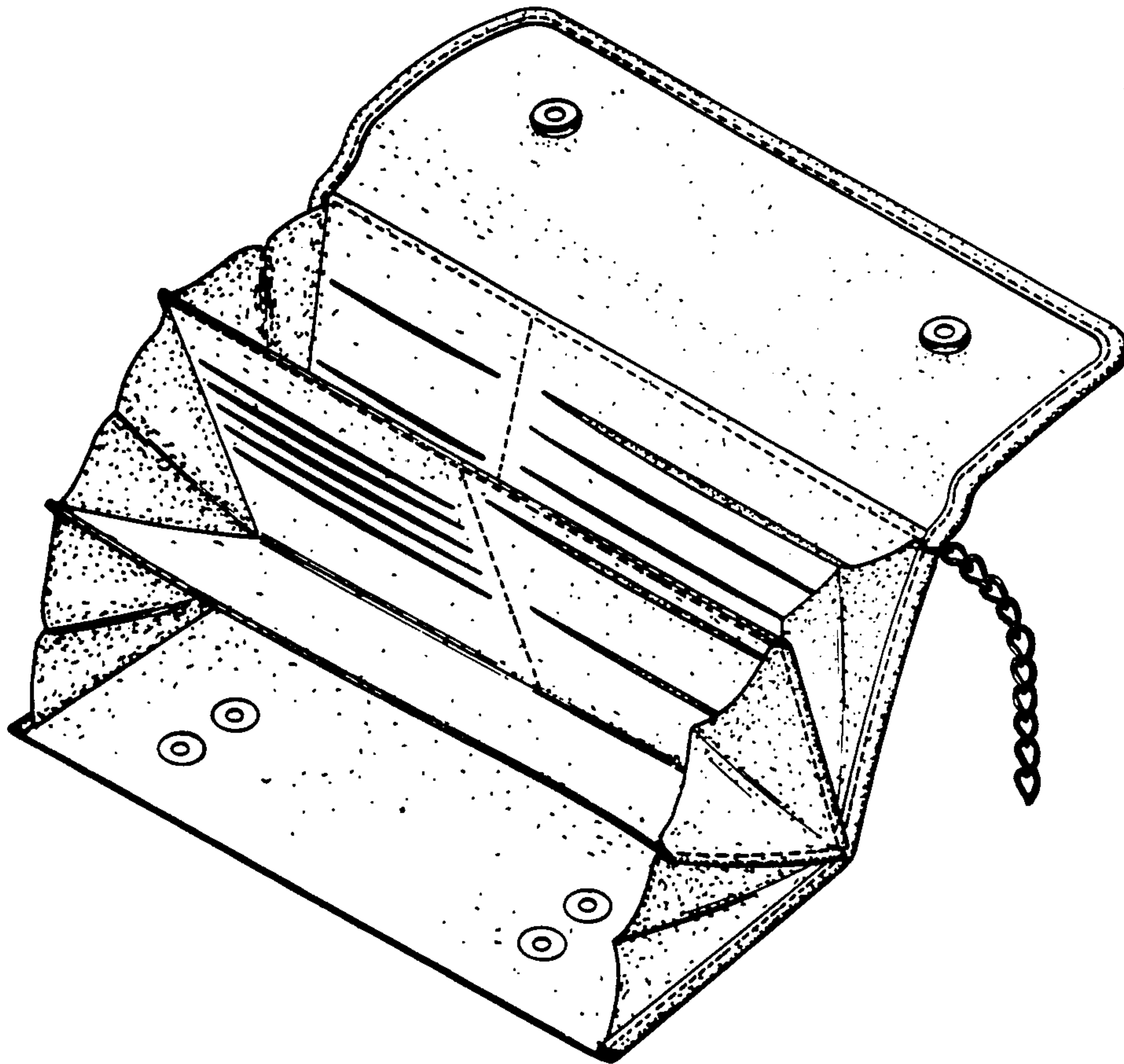
DESCRIPTION

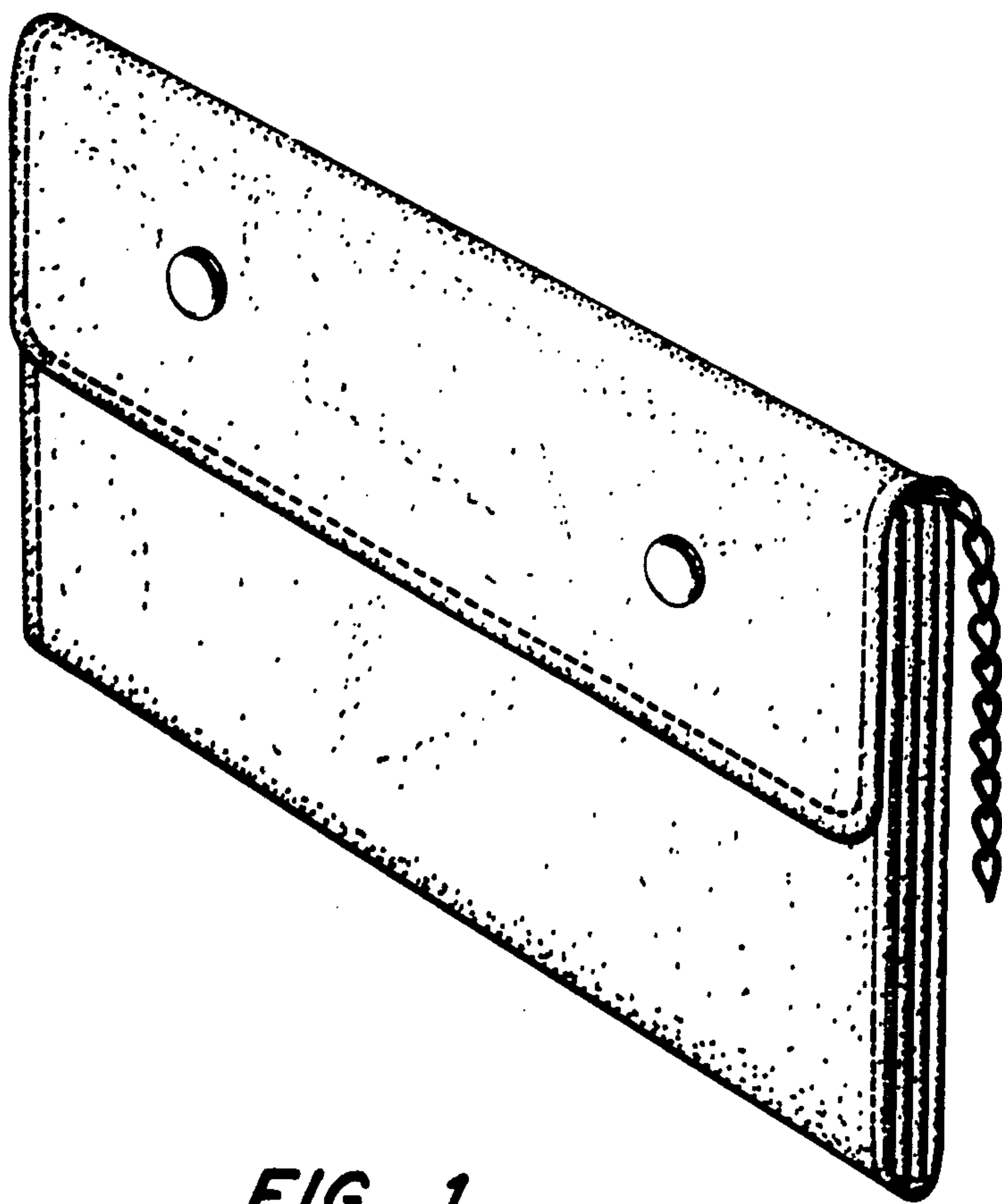
[56] References Cited

FIG. 1 is a perspective view of a multicompartment  
wallet showing my new design;  
FIG. 2 is a perspective view thereof in a fully open  
condition, the rear of the pocketed vertical divider  
being plain and unornamented;  
FIG. 3 is a left side elevational view thereof;  
FIG. 4 is a top plan view thereof; and  
FIG. 5 is a bottom plan view thereof.

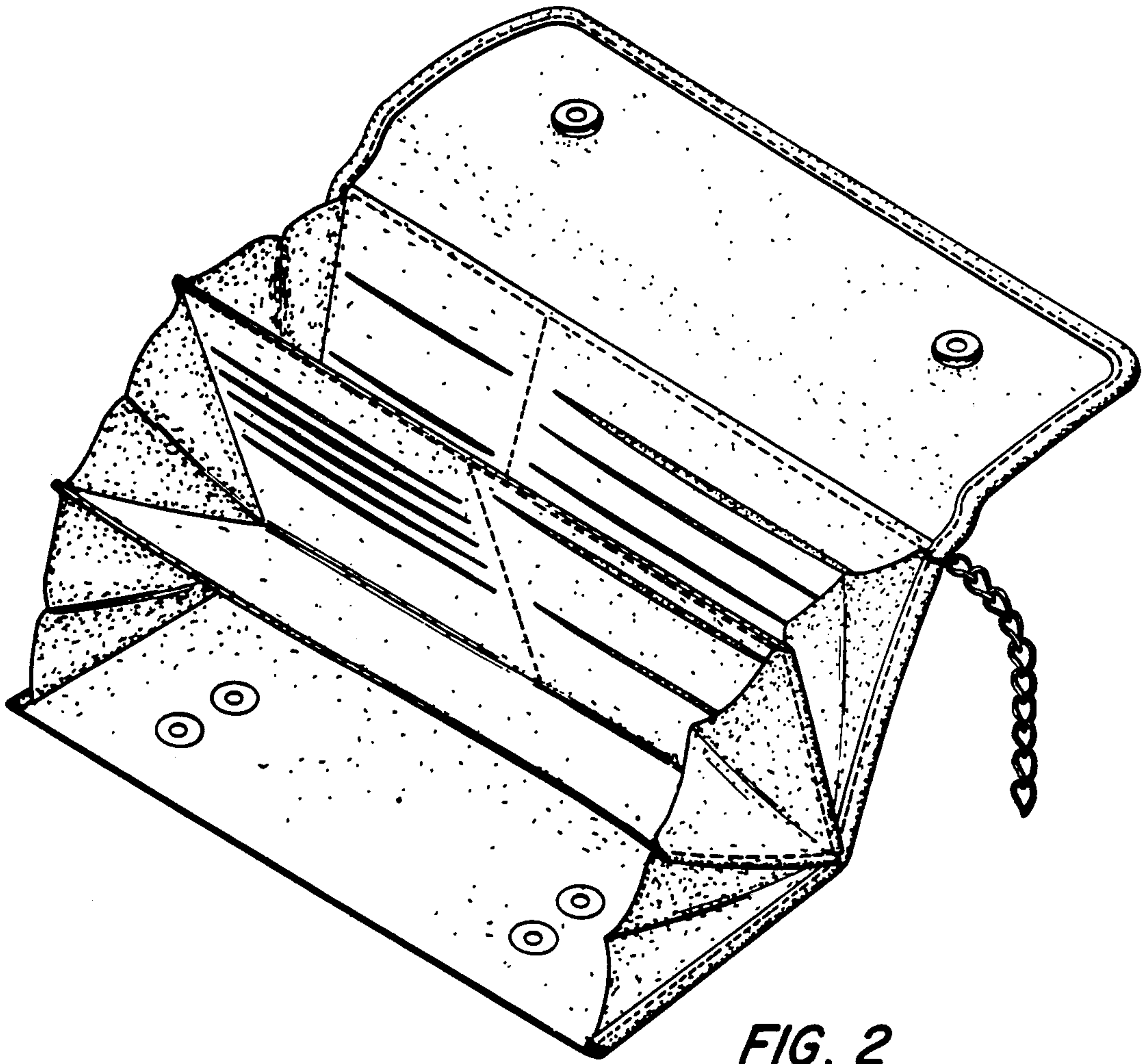
U.S. PATENT DOCUMENTS

558,728	4/1896	Hasselberger .....	150/30
1,718,437	6/1929	Rosenkrantz .....	D87/30
2,827,093	3/1958	Shenfield et al. ....	150/30

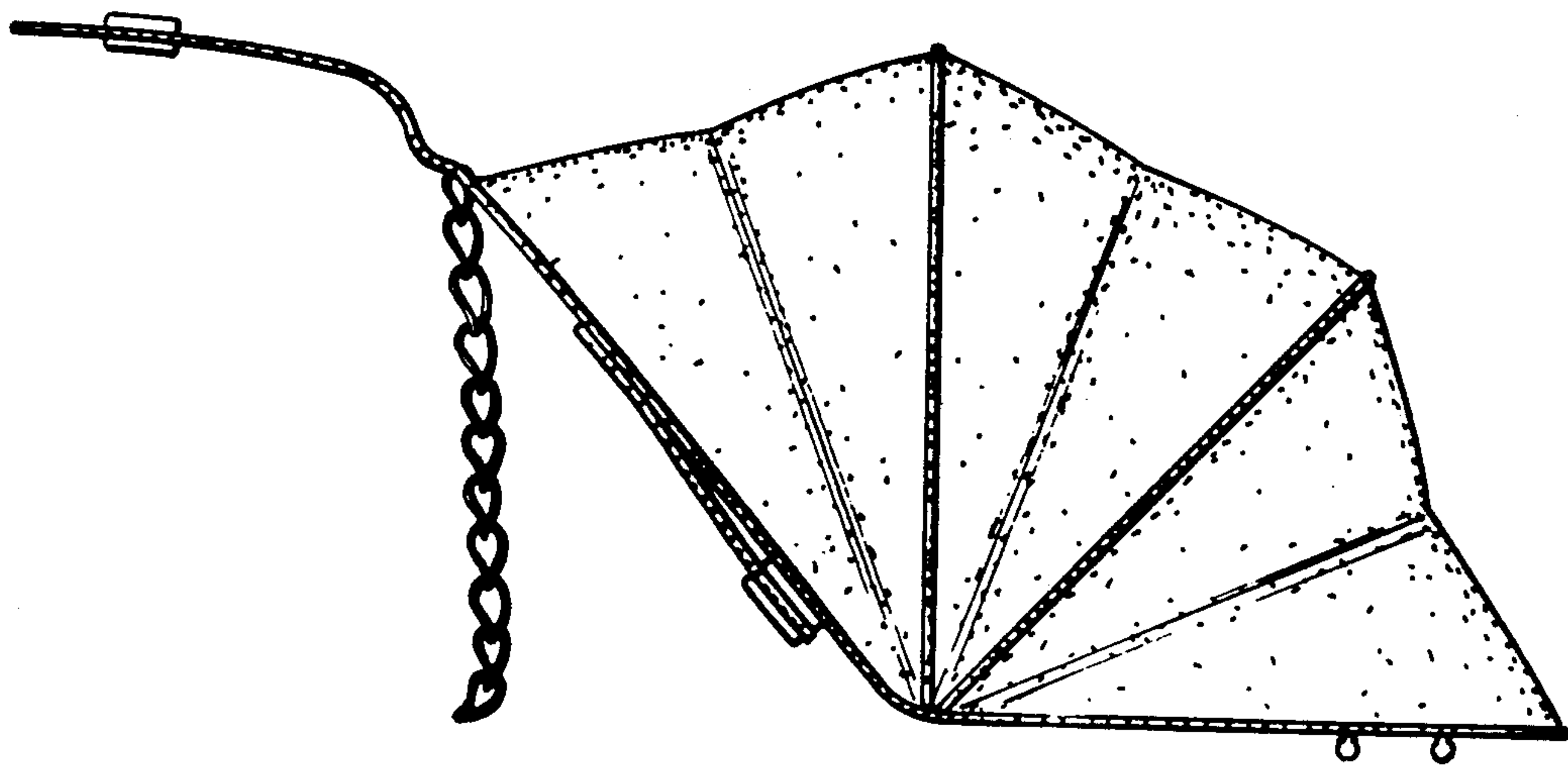




*FIG. 1*



**FIG. 2**



**FIG. 3**



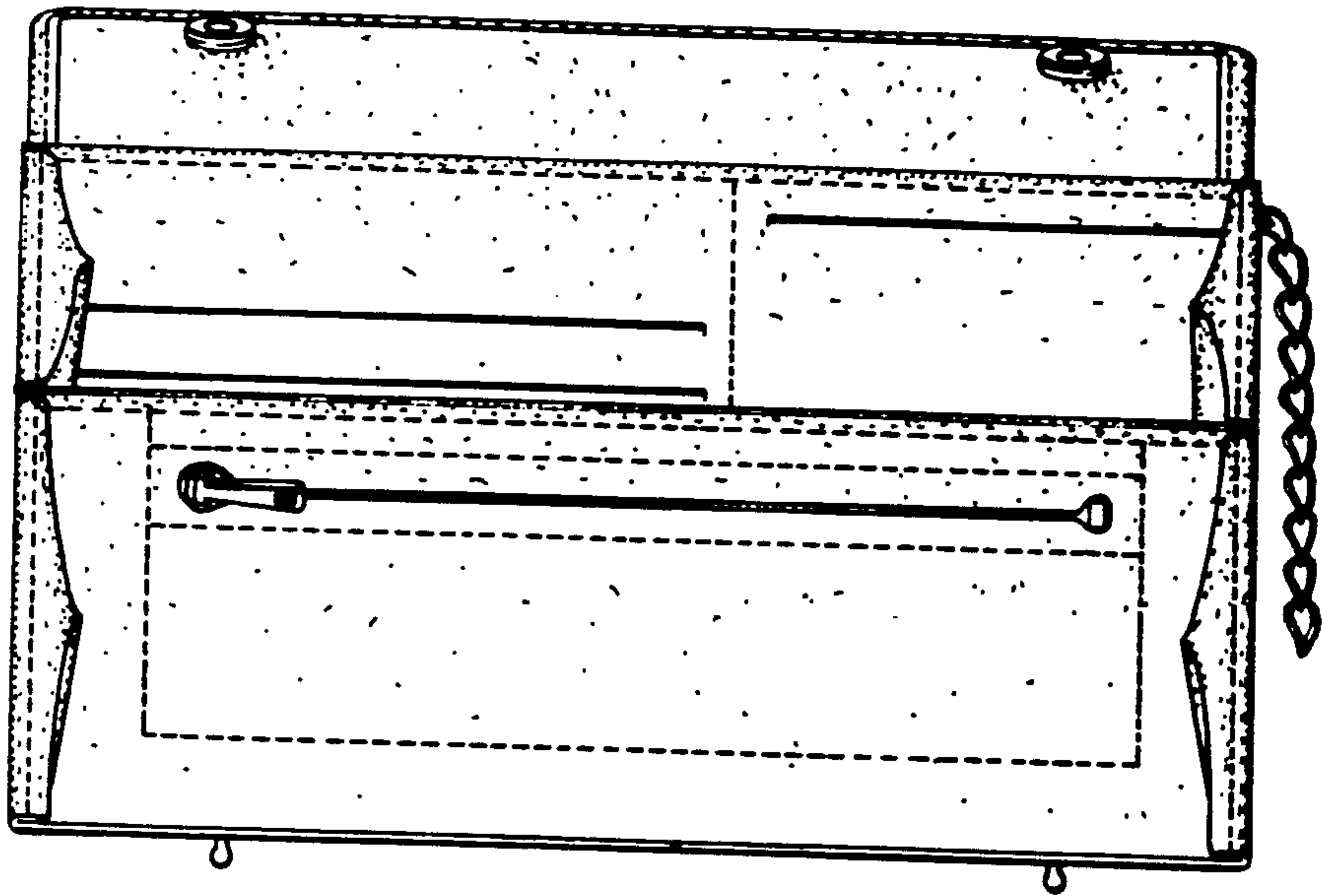


FIG. 4

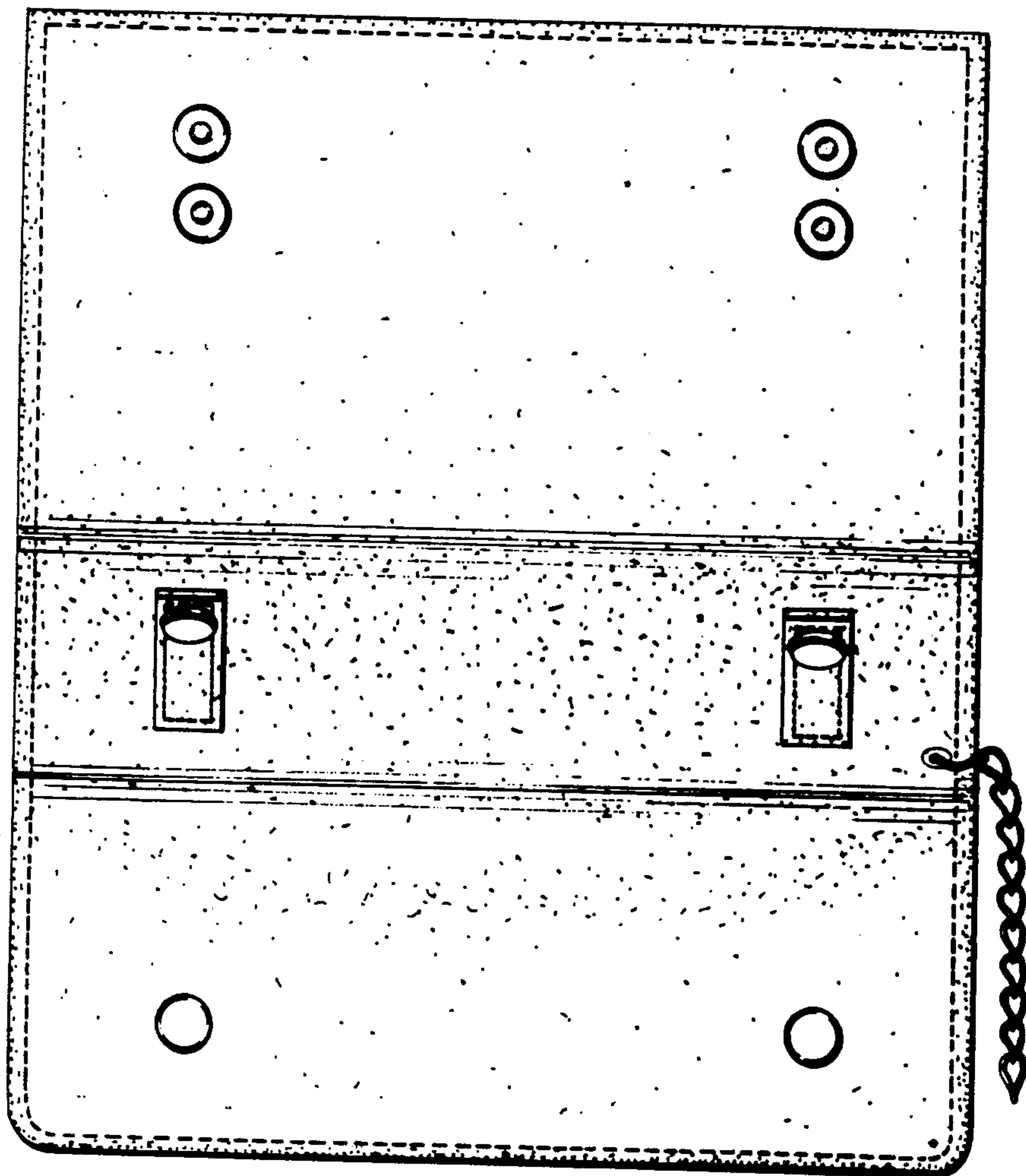


FIG. 5